

# Tastomat

## Enclosure

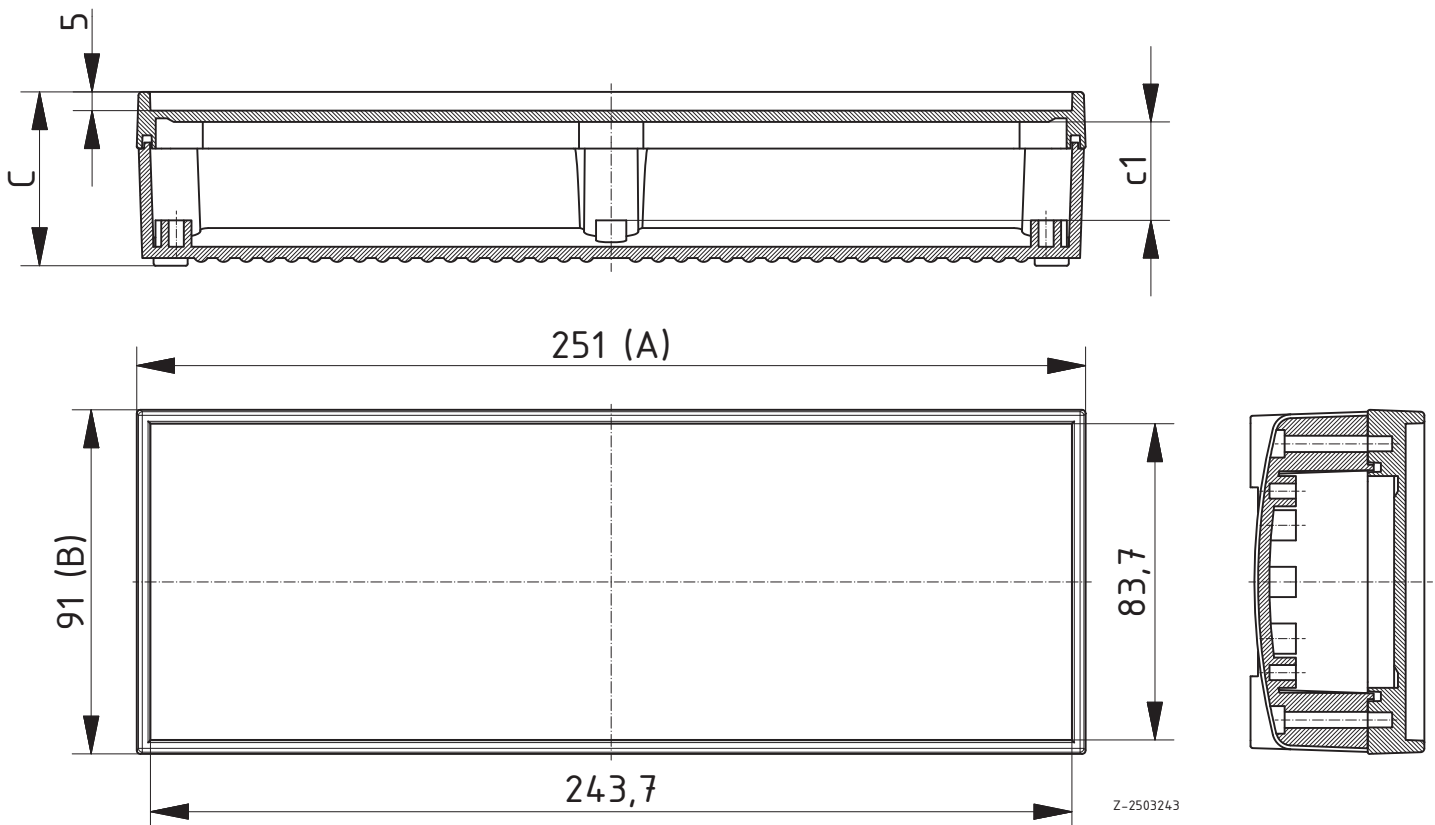


### Tastomat 100 - 200

Model	Order no.	A	B	C	c1
TAS 100	08100000	251	91	46	26
TAS 200	08200000	251	91	80.4	60.4

**Scope Of Delivery:** Base, lid, 6 enclosure screws, 4 mounting screws

**Notes:** In case of prolonged heat (e.g. at 75°C for 3 hours) an after-shrinkage of the material by up to 0.8% is possible. To a similar extent, absorption of humidity may affect dimensions.





**BOPLA**

A Phoenix Mecano Company