

Quick Reference Guide

.050 Centerline Micro-MaTch Connector Series

The Tyco Electronics Micro-MaTch connector family, with its contact spacing of 1.27mm, offers a variety of wire-to-board and board-to-board interconnections. The Micro-MaTch contact helps prevent fretting corrosion, the traditional failure mode in tin-plated connections. Relative movements caused by vibrations/thermal expansion between male and female contacts are absorbed by an additional positioning spring in the female part. By preventing movements on the contact spot, a gas tight connection can make the Micro-MaTch contact spring system fretting corrosion resistant.

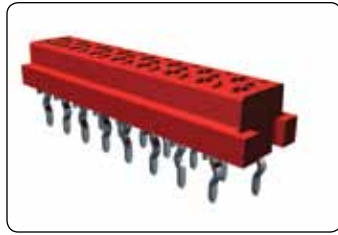
FEATURES AND BENEFITS

- Wire connectors supplied on-tape and suitable for mass termination of 28 AWG [0.08 mm2 to 0.09 mm2] ribbon cable
- Tin plated contact design
- Gas tight connections
- Fretting corrosion resistant
- Full range of application tooling from hand tool to fully automated equipment
- Wire to Board, and Board to Board Interconnection system

PRODUCT APPLICATIONS

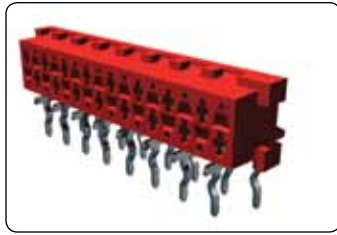
- Car Radios
- Navigation Systems
- Dashboard Systems
- Base Stations
- Phones
- Set Top Boxes
- Audio equipment

Micro MaTch Product Portfolio



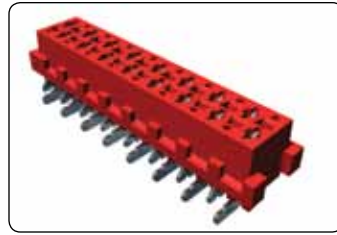
215079

Female-on-Board Connector
Top Entry



215460

Female-on-Board Connector
Side Entry



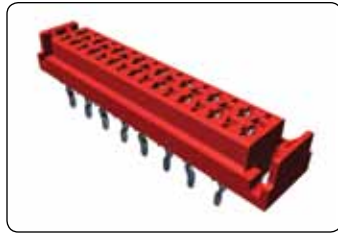
188275

Female-on-Board Connector
Surface Mount Device (SMD)



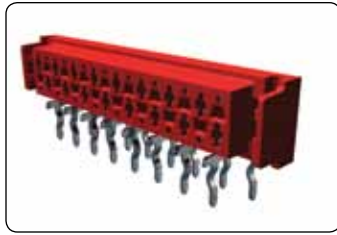
215464

Male-on-Board Connector



338068

Female-on-Board Connector Top
Entry with Latches



338070

Female-on-Board Connector Side
Entry with Latches



338069

Female-on-Board Connector Top
Entry SMD with Labels



215083

Male-on-Wire Connector



**338095 & 338096
or 338097 (COSI)**

Crimp on Snap in (COS) Connector



215570

Paddle Board Connector



188431

Female-in-Board SMD Connector

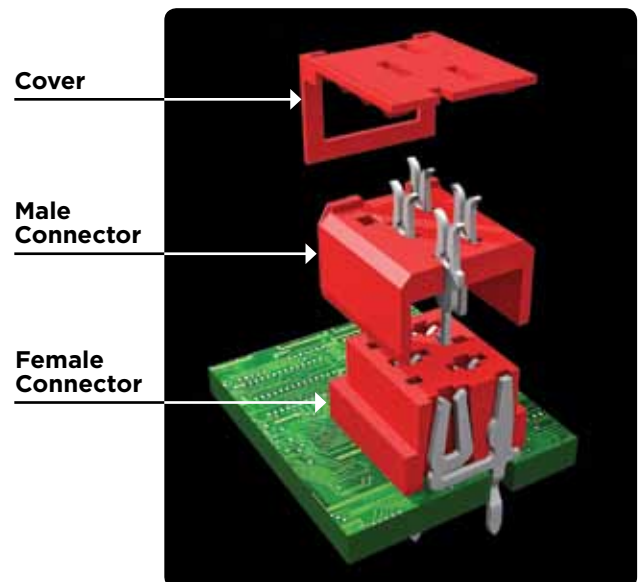
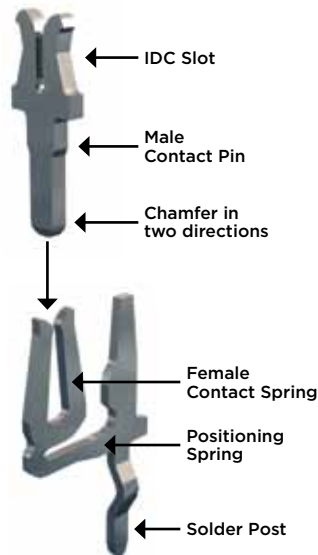


338728

Male SMD Connector

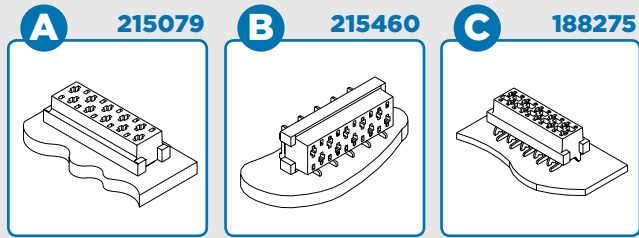
How Micro-MaTch Connectors Work

The Micro-MaTch connector design helps prevent fretting corrosion which is the traditional failure mode in tin plated connections. Due to an additional positioning spring in the female part, relative movements caused by vibrations and thermal expansion between male and female contacts are absorbed. By preventing movements on the contact spot, a gas tight connection is made. This contact spring system featuring the positioning spring, compensates positional tolerances and provides the high contact force required for tin plated contact systems. The Micro-MaTch contact spring system is fretting corrosion resistant.

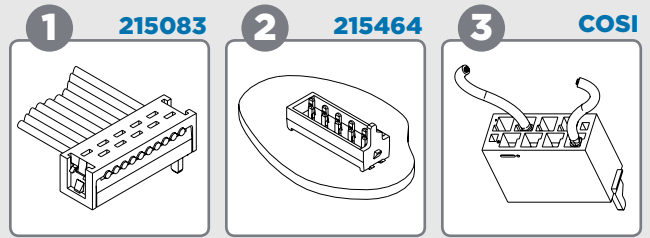


Female and Male Connector Applications

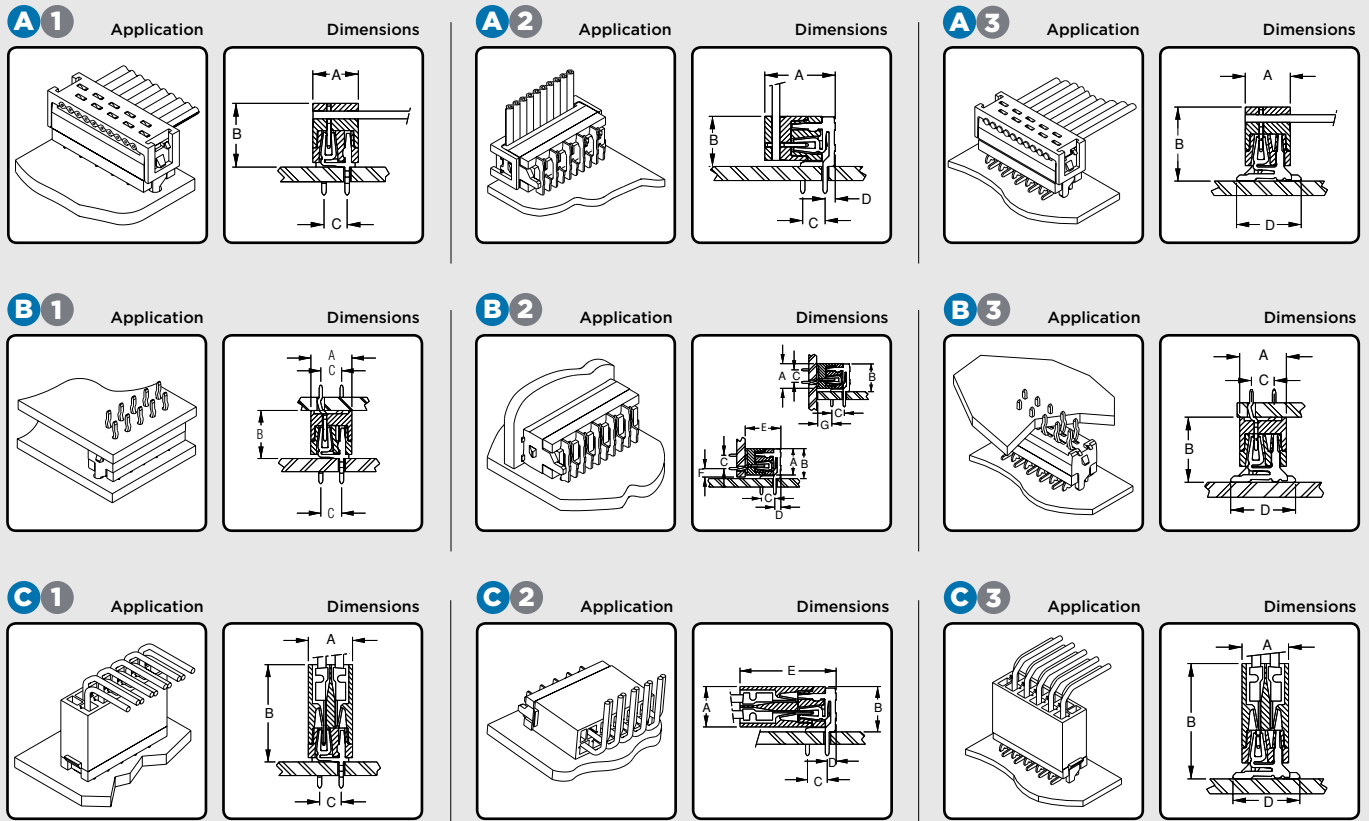
Female Connectors



Male Connectors



Mated Female and Male Connectors (application and dimension drawings)



Female and Male Connector Dimensions								
Image	Description	A (max)	B (max)	C	D (max)	E (max)	F (max)	G (max)
A1	Wire-to-Board through hole	5.2	7.5	2.54	-	-	-	-
B1	Board-to-Board through hole	5.2	6.2	2.54	-	-	-	-
C1	Wire-to-Board (discrete wire), through hole	5.2	9.7	2.54	-	-	-	-
A2	Wire-to-Board right angle, through hole	8.4	5.9	2.54	1.5	-	-	-
B2	Board-to-Board right angle, through hole	5.2	5.9	2.54	1.5	7.0	1.6	-
B2	Board-to-Board right angle, through hole	5.2	5.9	2.54	1.5	-	-	2.8
C2	Wire-to-Board right angle (discrete wire), through hole	5.2	5.9	2.54	1.5	10.6	-	-
A3	Wire-to-Board surface mount	5.2	8.5	-	7.1	-	-	-
B3	Board-to-Board surface mount, through hole	5.2	7.1	2.54	7.1	-	-	-
C3	Wire-to-Board (discrete wire), surface mount	5.2	10.7	-	7.1	-	-	-

FEMALE-ON-BOARD CONNECTOR : TOP ENTRY																				
Position Size	4		6		8		10		12		14		16		18		20			
Base Number	215079	-4	-74	-6	-76	-8	-78	-10	-80	-12	-82	-14	-84	-16	-86	-18	-88	-20	-90	
	338068	-4	-74	-6	-76	-8	-78	-10	-80	-12	-82	-14	-84	-16	-86	-18	-88	-20	-90	
Package Size		Reel	Box	Reel	Box	Reel	Box	Reel	Box	Reel	Box	Reel	Box	Reel	Box	Reel	Box	Reel	Box	
		2500	250	2500	250	2500	250	2500	250	2500	250	2500	250	2500	250	2500	250	2500	250	
Mates With : 215083, 338095+338096, 338095+338097, 215464, 338728																				

FEMALE-ON-BOARD CONNECTOR : SIDE ENTRY																				
Position Size	4		6		8		10		12		14		16		18		20			
Base Number	215460	-4	-74	-6	-76	-8	-78	-10	-80	-12	-82	-14	-84	-16	-86	-18	-88	-20	-90	
	338070	-4	-74	-6	-76	-8	-78	-10	-80	-12	-82	-14	-84	-16	-86	-18	-88	-20	-90	
Package Size		Reel	Box	Reel	Box	Reel	Box	Reel	Box	Reel	Box	Reel	Box	Reel	Box	Reel	Box	Reel	Box	
		2500	250	2500	250	2500	250	2500	250	2500	250	2500	250	2500	250	2500	250	2500	250	
Mates With : 215083, 338095+338096, 338095+338097, 215464, 338728																				

FEMALE-ON-BOARD CONNECTOR : SURFACE MOUNT DEVICE (SMD)																					
Position Size	4		6		8		10		12		14		16		18		20		24		
Base Number	188275	-4	-74	-6	-76	-8	-78	-10	-80	-12	-82	-14	-84	-16	-86	-18	-88	-20	-90		
	338069	-4	-74	-6	-76	-8	-78	-10	-80	-12	-82	-14	-84	-16	-86	-18	-88	-20	-90	-24	-94
Package Size		No vac tape	Vac tape	No vac tape	Vac tape	No vac tape	Vac tape	No vac tape	Vac tape	No vac tape	Vac tape	No vac tape	Vac tape	No vac tape	Vac tape	No vac tape	Vac tape	No vac tape	Vac tape	No vac tape	Vac tape
		900	900	900	900	900	900	900	900	900	900	900	900	900	900	900	900	900	900	900	900
Note: Vac Tape = With vacuum pick and place tape Mates With : 215083, 338095+338096, 338095+338097, 215464, 338728																					

MALE-ON-BOARD CONNECTOR																				
Position Size	4		6		8		10		12		14		16		18		20			
Base Number	215464	-4	-74	-6	-76	-8	-78	-10	-80	-12	-82	-14	-84	-16	-86	-18	-88	-20	-90	
		Reel	Box	Reel	Box	Reel	Box	Reel	Box	Reel	Box	Reel	Box	Reel	Box	Reel	Box	Reel	Box	
Package Size		2500	250	2500	250	2500	250	2500	250	2500	250	2500	250	2500	250	2500	250	2500	250	
Mates With : 215079, 215460, 188275, 215079, 338068, 338069, 338070, 188431																				

MALE-ON-WIRE CONNECTOR																					
Position Size	4		6		8		10		12		14		16		18		20		24		
Base Number	215083	-4	-74	-6	-76	-8	-78	-10	-80	-12	-82	-14	-84	-16	-86	-18	-88	-20	-90	-24	-94
		Reel	Box	Reel	Box	Reel	Box	Reel	Box	Reel	Box	Reel	Box	Reel	Box	Reel	Box	Reel	Box	Reel	Box
Package Size		2500	250	2500	250	2500	250	2500	250	2500	250	2500	250	2500	250	2500	250	2500	250	2500	250
Application Spec : 114-19016 Matching Cable : 167019 Mates With : 215079, 215460, 188275, 215079, 338068, 338069, 338070, 188431																					

MALE PADDLE BOARD CONNECTOR																					
Position Size	4		6		8		10		12		14		16		18		20		24		
Base Number	215570	-4	-74	-6	-76	-8	-78	-10	-80	-12	-82	-14	-84	-16	-86	-18	-88	-20	-90	-24	-94
		Reel	Box	Reel	Box	Reel	Box	Reel	Box	Reel	Box	Reel	Box	Reel	Box	Reel	Box	Reel	Box	Reel	Box
Package Size		2500	250	2500	250	2500	250	2500	250	2500	250	2500	250	2500	250	2500	250	2500	250	2500	250
Application Spec : 114-19016 Matching Cable : 167019 NO MATES - Direct Soldering of ribbon cable to the PC board																					

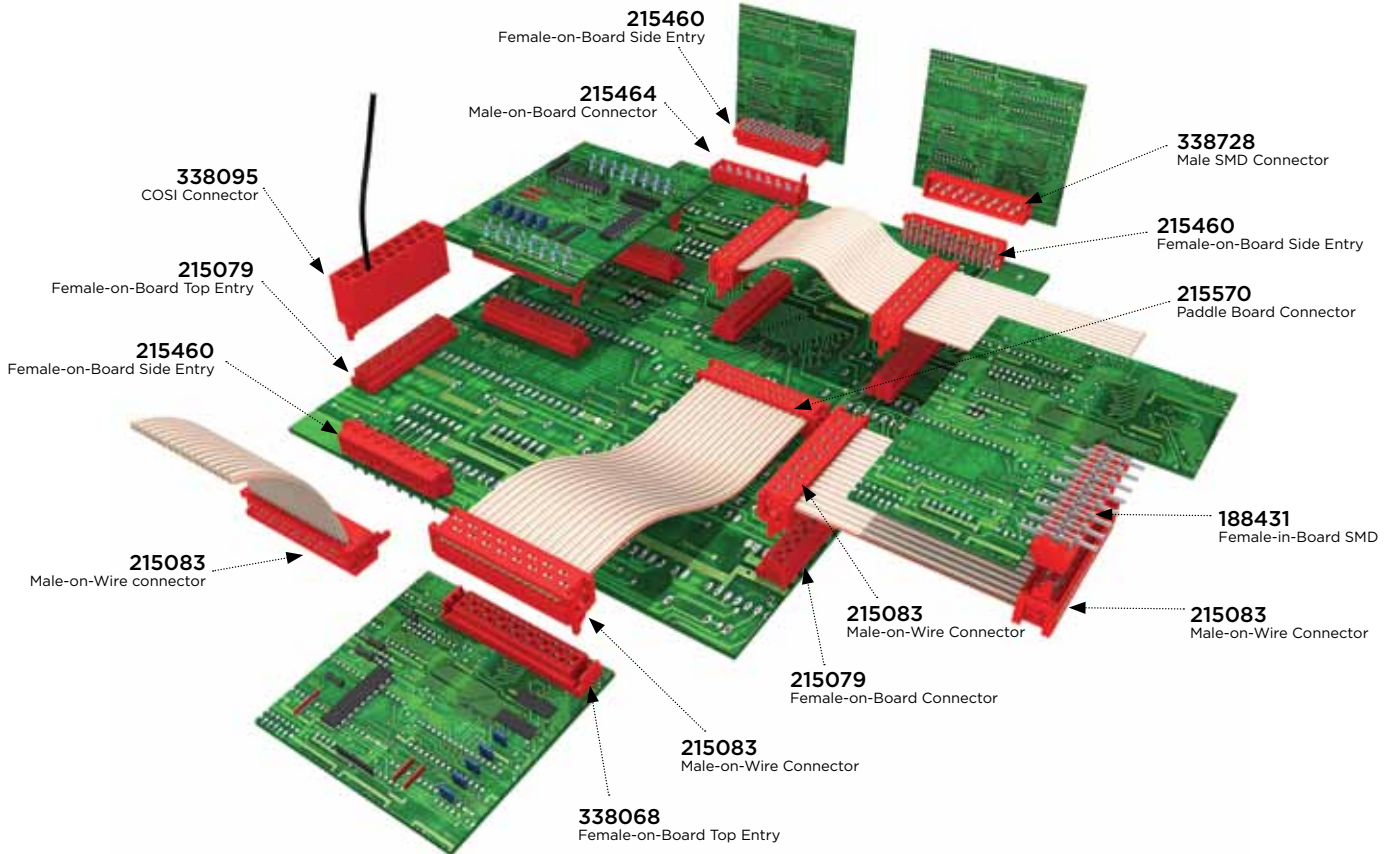
CRIMP ON SNAP IN (COSI) CONNECTOR										
Position Size	4	6	8	10	12	14	16	18	20	
Base Number	338095	-4	-6	-8	-10	-12	-14	-16	-18	-20
Package Size		Box	Box	Box	Box	Box	Box	Box	Box	Box
		900	700	500	450	400	350	300	250	200
Mates With : 215079, 215460, 188275, 215079, 338068, 338069, 338070, 188431										

CONTACTS				
Base Number	Wire Size	ID	15000/Reel	750/Reel
338096	28-24 AWG	0.76-1.00	-1	-11
338097	24-20 AWG	1.27-1.52	-1	-11

FEMALE-IN-BOARD SMD CONNECTOR						
Position Size	6	8	10	14	20	
Base Number	188431	-76	-78	-80	-84	-90
Package Size		Reel	Reel	Reel	Reel	Reel
		1200	1200	1200	1200	1200
Mates With : 215083, 338095+338096, 338095+338097, 215464, 338728						

MALE SMD CONNECTOR																			
Position Size	4		6		8		10		12		14		16		18		20		
Base Number	338728	-4	-74	-6	-76	-8	-78	-10	-80	-12	-82	-14	-84	-16	-86	-18	-88	-20	-90
		No cover	Vac cover	No cover	Vac cover	No cover	Vac cover	No cover	Vac cover	No cover	Vac cover	No cover	Vac cover	No cover	Vac cover	No cover	Vac cover	No cover	Vac cover
Package Size		1500	1500	1500	1500	1500	1500	1500	1500	1500	1500	1500	1500	1500	1500	1500	1500	1500	1500
Mates With : 215079, 215460, 188275, 215079, 338068, 338069, 338070, 188431																			

Product/Application Specification



Micro-MaTch Connector System Application Tooling

Hand Tools	734155-1	734024-1	734870-1	734870-2		
	Pistol grip	Adapter set	COSI 24-20 AWG	COSI 28-24 AWG		
Bench Tools	733280-3	91085-2	91112-3	733278-2		
	Tool set	Hand operated	Pneumatically operated	Tool set		
Semi-Automatic Tools	677499-1	677894-1	677895-1	677412-5	1-677412-0	677463-1
	AMP-O-LECTRIC G-terminator	Applicator for AMP-O-LECTRIC G-terminator 28-24 AWG	Applicator for AMP-O-LECTRIC G-terminator 24-20 AWG	Lead end assemblies	Lead end assemblies	Connector dispenser

Micro-MaTch Design Kits Provided by Waldom*

Design Kits	
PN	Description
2110841-1	Female-on-Board Top Entry / Male-on-Board
2110841-2	Female-on-Board Top Entry / Male-on-Wire
2110841-3	Female-on-Board Side Entry / Male-on-Board
2110841-4	Female-on-Board Side Entry / Male-on-Wire
2110841-5	Female-on-Board Surface Mount / Male-on-Board
2110841-6	Female-on-Board Surface Mount / Male-on-Wire
2110841-7	Paddle Board Connectors
2110841-8	Crimp on Snap In (COSI) Housings and Contacts



*Design kits are designed and assembled by Waldom and are available for purchase through your local distribution channel.

Frequently asked questions

Can we make Micro-MaTch connectors with contacts in Gold plating?

No. The Micro-MaTch receptacle contact spring is designed to deliver a high normal-force as required for tinplated contact interconnections. This pressure is too high for gold plated interconnections, where much lower normal-forces are required.

We have noticed that the kinks of the Micro-MaTch thru-hole solder contacts on Top Entry as well as Side Entry Thru-hole solder Connectors, start with random direction. Is this technically OK?

Yes, this is OK and does not affect contact retention. For those connectors the kink direction in each row can start random, but sequential contacts within each row have kinks pointing in opposite directions.

Which flat ribbon cable is suitable for Micro-MaTch male-on-wire and paddle-board connectors and why?

Tyco Electronics part number 167019-series Flat Ribbon Cable. The cable insulation's round shape at each position and the flat transition between the positions, both exactly match with corresponding shape in the cover. This enables accurate pre-positioning of the conductors regarding to the IDC-slots during the termination process. It is also Important that the conductor's pitch is within tolerance and that they are symmetrically positioned in the round insulation shape.

Are Micro-MaTch male-on-wire and paddle-board connectors also suitable for discrete wire termination?

No. For discrete wires, Micro-MaTch connectors offer the Crimp-On Snap-In (COSI) connectors in 2 wire ranges.

Is there retention force performance information available for the female connector versions with locking latches?

No. The plastic latches were not designed to retain the connectors but to produce an audible click when the connectors are fully mated.

FOR MORE INFORMATION

www.tycoelectronics.com/products/micromatch

Technical Support

Internet:	www.tycoelectronics.com/help
USA:	+1 (800) 522-6752
Canada:	+1 (905) 470-4425
Mexico & Central America:	+52(0) 55-1106-0814
South America:	+55 (0) 11-2103-6000
Germany:	+49 (0) 6251-133-1999
UK:	+44 (0) 800-267666
France:	+33 (0) 1-3420-8686
Netherlands:	+31 (0) 73-6246-999
China:	+86 (0) 400-820-6015

Part numbers in this brochure are RoHS Compliant*, unless marked otherwise.

*as defined www.tycoelectronics.com/leadfree

Tyco Electronics Corporation, Harrisburg, PA

tycoelectronics.com

© 2010 Tyco Electronics Corporation. All Rights Reserved.

4-1773457-1 CIS FP 3M 04/2010

TE (logo) and Tyco Electronics are trademarks of the Tyco Electronics group of companies and its licensors.

Other products, logos, and Company names mentioned herein may be trademarks of their respective owners.

While Tyco Electronics has made every reasonable effort to ensure the accuracy of the information in this catalog, Tyco Electronics does not guarantee that it is error-free, nor does Tyco Electronics make any other representation, warranty or guarantee that the information is accurate, correct, reliable or current. Tyco Electronics reserves the right to make any adjustments to the information contained herein at any time without notice. Tyco Electronics expressly disclaims all implied warranties regarding the information contained herein, including, but not limited to, any implied warranties of merchantability or fitness for a particular purpose. The dimensions in this catalog are for reference purposes only and are subject to change without notice. Specifications are subject to change without notice. Consult Tyco Electronics for the latest dimensions and design specifications.



Tyco Electronics
Our commitment. Your advantage.