The logo for Glennair, featuring a large blue 'G' on a white background, followed by the word 'lennair' in a black serif font on a white background, with a registered trademark symbol (®) to the right.

**Glennair**®



**BAYONET-LOCK CONNECTORS**

# **IPT SERIES**

**HIGH-DENSITY MIL-DTL-26482 SERIES I CONNECTORS  
VG95328 QUALIFIED**

**FOR RUGGED MILITARY AND INDUSTRIAL APPLICATIONS**

**JUNE 2015**

■ United Kingdom ■ Germany ■ France ■ Nordic ■ Italy ■ Spain ■ Japan

ETHERNET DATA

# OCTOBYTE™

THE FASTER 4/8 POLE INTERCONNECTION SYSTEM  
FOR ETHERNET DATA IN EVERY APPLICATIONS



ITH connector with **OCTOBYTE™** contacts is available with fully dedicated ETHERNET protocol or in a combo version where a mix of signal-power and Ethernet is required. RoHS compliant, IP67 (IP68 on request) exceeds performance expectations typical in harsh environmental applications found throughout Rail and Industrial markets. **OCTOBYTE™** contacts are vibration resistant and available to work with ETHERNET cables from CAT 5 to CAT 7A, MVB-WTB, RG58 Coax.



**Glenair IPT and IPT-SE Series  
MIL-DTL-26482 Serie I Bayonet Connectors  
Technical Reference**



**Introduction**

**IPT and IPT SE product features and specifications**

**A**

**IPT-SE Series**

**High Performance Crimp Contact MIL-DTL-26482 Serie I Bayonet Connector**



**B**

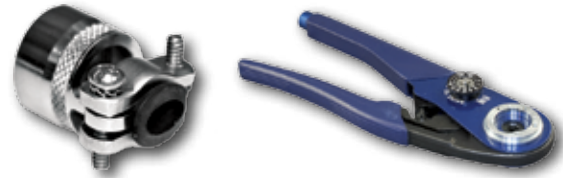
**IPT Series**

**General Duty Solder and Crimp Contact MIL-DTL-26482 Serie I Bayonet Connector**



**C**

**Connector Accessories and Tools**



**D**

**Product Index**

**Complete Listing of Catalog Pages and Part Number Index**



**E**

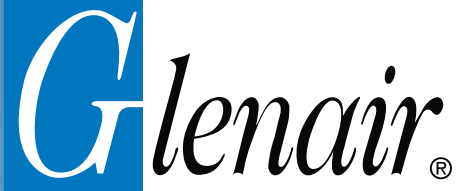


## Glenair IPT and IPT-SE Series MIL-DTL-26482 Serie I Bayonet Connectors Summary of Connector Styles and Backshells

Glenair IPT and IPT SE series connectors offer rugged, high vibration performance and rapid mating for both high-performance and general duty signal connector applications. The products are environmentally sealed and can be equipped with EMI/RFI shield termination backshell accessories. IPT SE is qualified to VG 95328. Both product series are in accordance with MIL-DTL-26482 Serie I.

### IPT-SE AND IPT PRODUCT FEATURES AND SPECIFICATIONS

| Feature                | Description   |
|------------------------|---|
| Applications           | Factory equipment, off-road vehicles, military vehicles, sensors, power generators, and other industrial applications.  |
| Shell Construction     | Aluminum shell bodies provide durable performance in a lightweight package.   |
| Mating System          | Three pin bayonet system, 1/2 turn to full mate.  |
| Shell Surface Coatings | A range of conductive and non-conductive surface coatings including standard Cadmium finishes as well as RoHS compliant electrostatic paint.  |
| Environmental Sealing  | Individual wire sealing grommets and optional environmental backshells provide moisture protection up to IP67.  |
| Temperature Tolerance  | F6, F7, F11 and G3 plated connectors are tested to -55°C to 125°C.  |
| Contacts               | High performance crimp contacts and retention clips (IPT SE) and general duty crimp and solder contacts (IPT).  |
| Contact Plating        | Copper alloy with gold plating.   |
| Wire Gauge             | Contacts support wire sizes #12 - #14 (Size 12), #16 - #20 gauge (Size 16) and #20 - #24 (size 20).   |
| Insert Materials       | Resilient high-insulation synthetic insert (polychloroprene or silicone). IPT SE version includes hard plastic retention clip retainer.   |
| Insert Arrangements    | IPT SE: 25 different power and signal insert arrangements, featuring 16 and 20 gauge contacts; 3 to 61 contacts.<br><br>IPT: 39 different power and signal insert arrangements, featuring 12, 16 and 20 gauge contacts; 2 to 61 contacts. |
| EMI Shielding          | Shield termination backshell accessories are available for all plug and receptacle configurations.  |
| Shell Styles           | Complete range of shell styles is available, including front and rear mount flange receptacles, jam nut receptacles, bulkhead feedthrus, and straight and 90° plugs.  |
| Polarization           | 5 keyway configuration with optional polarization.  |
| Approvals              | IPT SE is qualified to VG 95328. Both IPT and IPT SE meet all requirements of MIL-DTL-26482 Serie I.  |
| Intermateability       | Intermateable with all industry standard bayonet connectors designed to MIL-DTL-26482 Serie I and VG 95328 including Veam VPT, Amphenol PT and ITT Cannon KPT.  |



**NO  
MINS.**  
No Dollar  
or Quantity  
Minimum Orders



# SEACROW™ Connectors

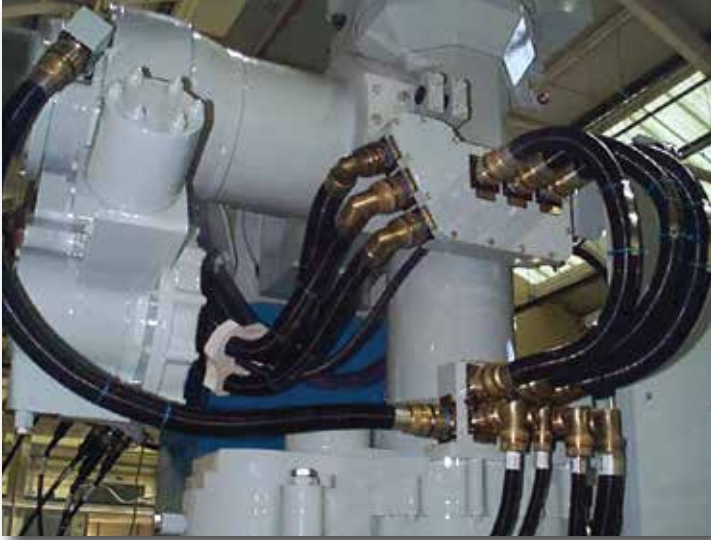
Marine Bronze Connectors for  
Harsh Environmental Applications



# SEACROW™ Connectors

## Marine Bronze Connectors for Harsh Environmental Applications

**NO  
MINS.**  
No delay  
or quantity  
minimum orders



Shipboard Application

Glenair manufactures connectors qualified to V96929, VG95234 and VG95328 standards. These connectors are mostly used in harsh-environment military applications for ground vehicles and ground systems. Our new Marine Bronze version increases the level of robustness of these connectors to be successfully used in all severe environment navy installations, as well as off-shore platforms, sea ports, geological and oceanographic applications.



Navy Application

# IPT SE Series

## High Performance Crimp Contact MIL-DTL-26482 Serie I Bayonet Connector

### Section B



B

#### High Performance Crimp Contact

Bayonet-Lock Signal Connectors (MIL-DTL-26482 Serie I)

B-2

#### High Performance Crimp Contact (MIL-DTL-26482 Serie I)

Styles and Classes

B-3 ; B-4

#### Technical data

B-5

#### How to Order • Part Number Breakdown

B-6

#### VG95328 Part Number Cross Reference

B-7

#### Materials and Finishes

B-8

#### Pin and Socket Crimp Contact Dimensions

B-9

#### Insert Arrangement Tables and Sealing Plugs

B-10

#### Available Insert Arrangements

B-11 ; B12

#### Fastener Height Requirements and Panel Cutout Dimensions

B-13

#### IPT SE Connectors Configurations

B-14 ; B-63



## Glenair IPT SE Series High Performance Crimp Contact Bayonet-Lock Signal Connectors (MIL-DTL-26482 Serie I)

# IPT SE Brings High-Performance Crimp Contact Termination to MIL-DTL-26482 Serie I Bayonet Connectors

### Harsh Application Environments

The Glenair Series IPT SE Bayonet-Lock Signal Connector is ideally suited for all general and environmental applications that require a high-performance military type cylindrical connector with crimp-removable contacts. Qualified to VG95328, the bayonet mechanism provides fast and easy coupling, especially when the connector is situated in an awkward or hard to reach location.

Environmental protection to IP67 levels provides additional reliability and the flexibility to specify these rugged connectors in harsh

applications such as in machine tools and factory automation. Supplied crimp contacts are gold-plated copper alloy. Inserts are made from high-insulation synthetic rubber, oil and temperature resistant from -55° C to +125° C (polychloroprene) to +200° C (silicone).

### Intermateability

The Series IPT SE Connector is interchangeable and intermateable with the wide range of industry-standard bayonet connectors designed around MIL-DTL-26482 Serie I and/or qualified to VG 95328, including ITT Cannon KPT.

### Main Technical Characteristics

*High Performance Crimp Version with Contact Retention Clips and Sealed Inserts—2 Contact Sizes: #20 and #16.*

*21 Signal Contact Insert Arrangements, 3 to 61 Contacts*

*Rear-Insertion/Front Release Snap-In Contacts*

*Intermateable with Other MIL-DTL-26482 Serie I Products*

*Ruggedized Contact Retention Clip*

*Environmentally Sealed System*

*Audible and Visual Coupling Indicators*

*Keyed Polarization*



### Styles and Classes

**ASE:** For general-duty applications. This connector-backshell assembly is supplied with a general-duty backshell for the attachment of additional accessories such as MS 3057 cable clamps (ordered separately). Individual wire sealing grommet supplied.

**SE:** For general-duty environmental applications using unjacketed wire bundles. Additional environmental sealing is provided through an individual wire sealing grommet in the connector and an overall cable grommet seal in the backshell. No cable clamp supplied.

**ASE...NO:** Wall mounting/In-line receptacle and plug with accessory threads in the rear for the backshell and accessories attachment; through mounting holes.

**SE...SR:** Same as class SE, but with cable clamp and bushing for strain-relief.

**GSE:** Plug with straight backshell for heatshrink boot.

**MSE:** Plug with backshell for EMI shield termination and/or heatshrink boot for Shell Styles IPT00, IPT01, IPT06 and IPT07.

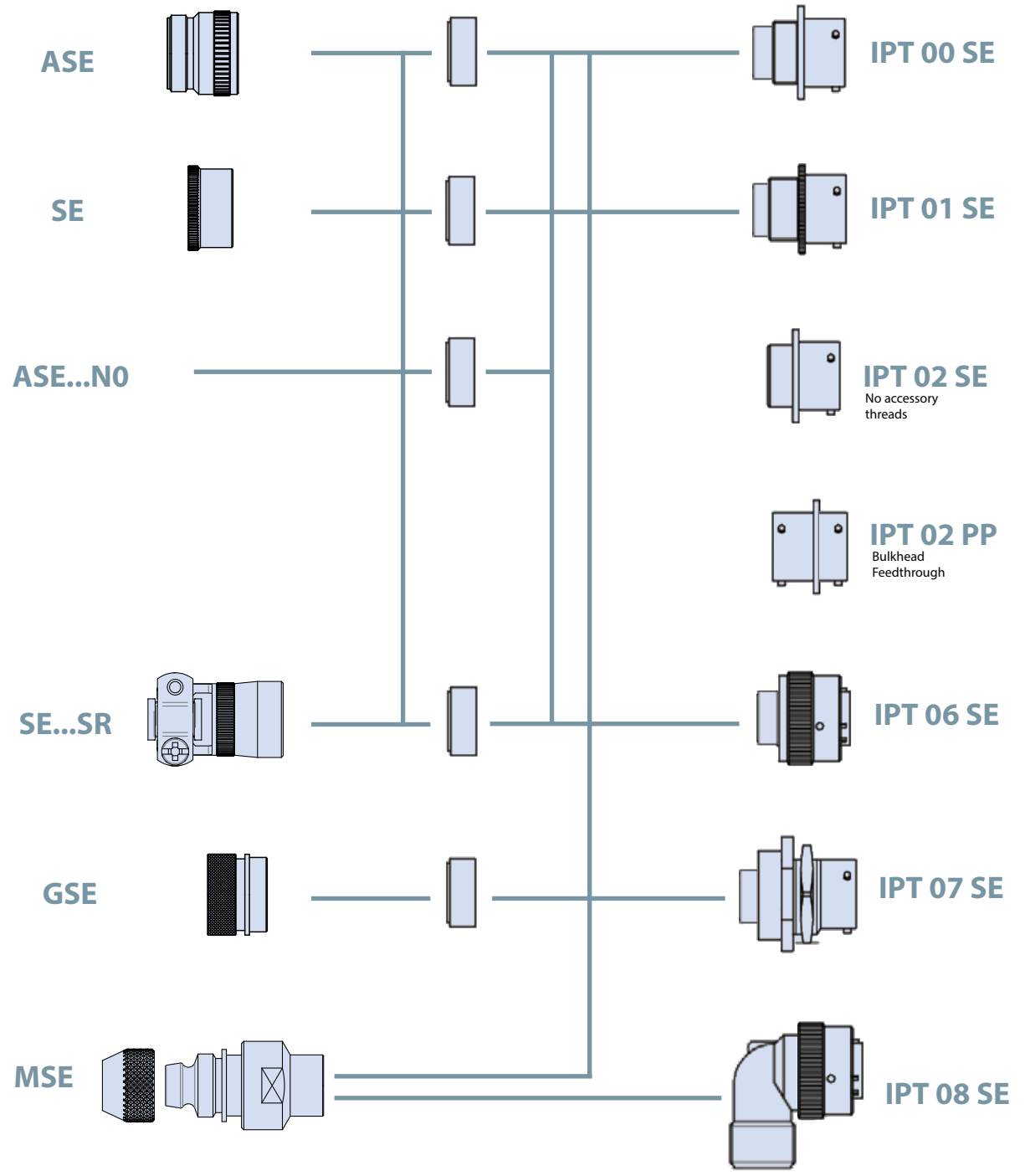
The Glenair IPT SE miniature bayonet-lock connector series features a 3 point bayonet coupling mating interface with stainless steel coupling pins for advanced durability. Resilient inserts provide outstanding dielectric performance and environmental protection. Individual wire sealing grommets elevate the environmental protection rating to IP67.



## Glenair IPT SE Series Bayonet-Lock High Performance Crimp Contact (MIL-DTL-26482 Serie I) Styles and Classes

| Connector /<br>Backshell Class | Backshells and<br>Cable Clamps | Compression<br>Ring | Grommet<br>or Gland | Shell Styles |
|--------------------------------|--------------------------------|---------------------|---------------------|--------------|
|--------------------------------|--------------------------------|---------------------|---------------------|--------------|

B



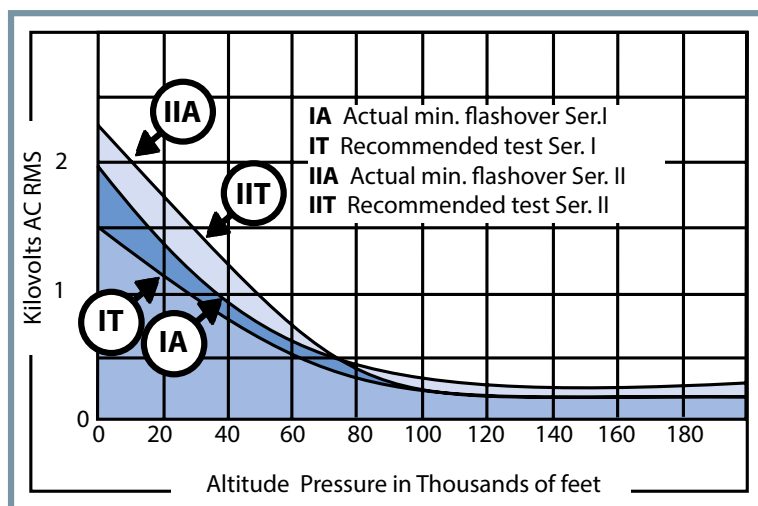
# Glenair IPT SE Series Bayonet-Lock High Performance Crimp Contact (MIL-DTL-26482 Serie I) Technical Data



| Service Rating |                      |                      |                 |
|----------------|----------------------|----------------------|-----------------|
| Class          | Operating voltage AC | Operating voltage DC | Test voltage AC |
| I              | 600                  | 700                  | 1500            |
| II             | 1000                 | 1250                 | 2300            |

| Potential Drop |              |                |
|----------------|--------------|----------------|
| Contact size   | Test current | Potential drop |
| 20             | 7.5 A        | 25 mV          |
| 16             | 13.0 A       | 21 mV          |

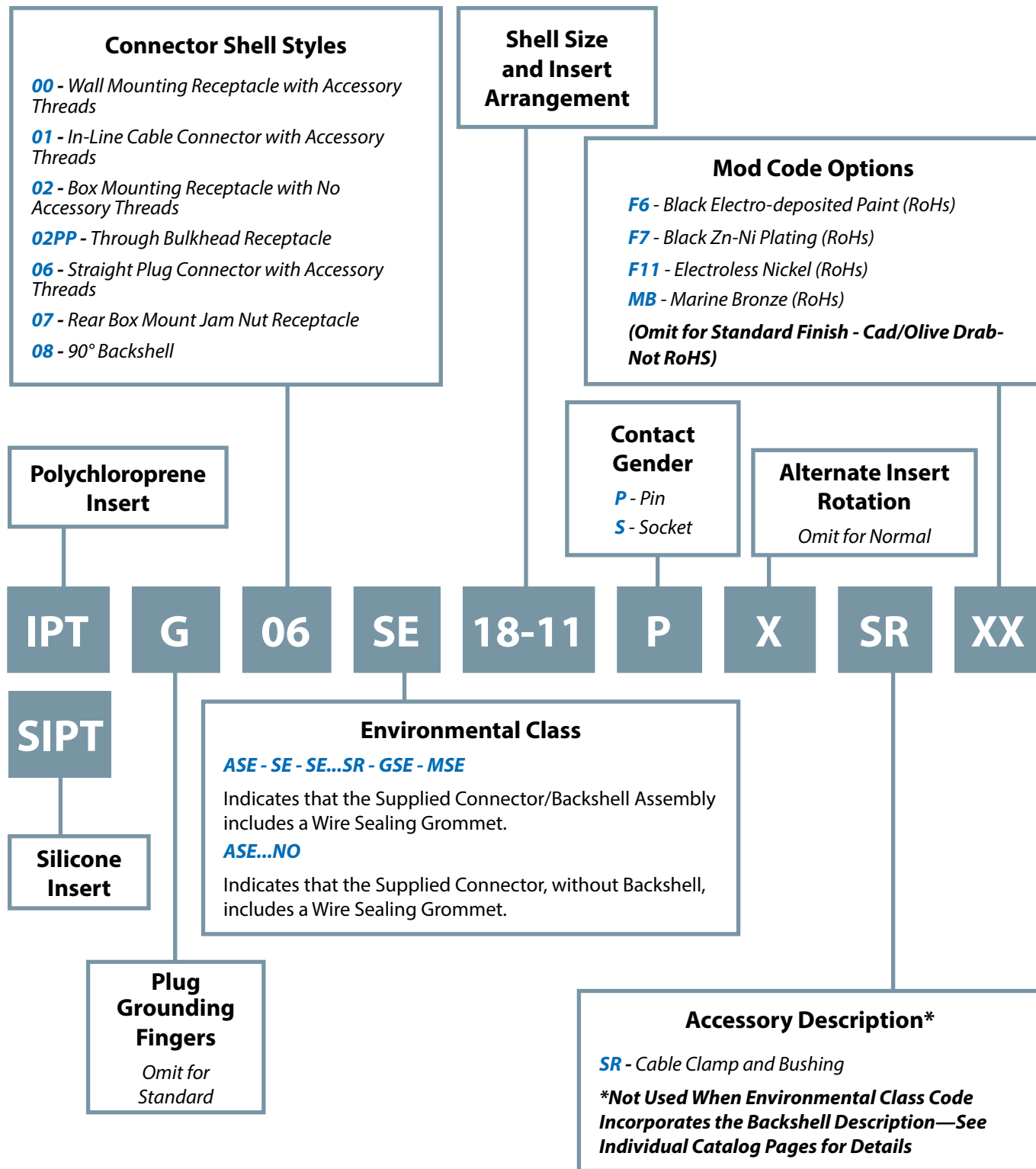
B



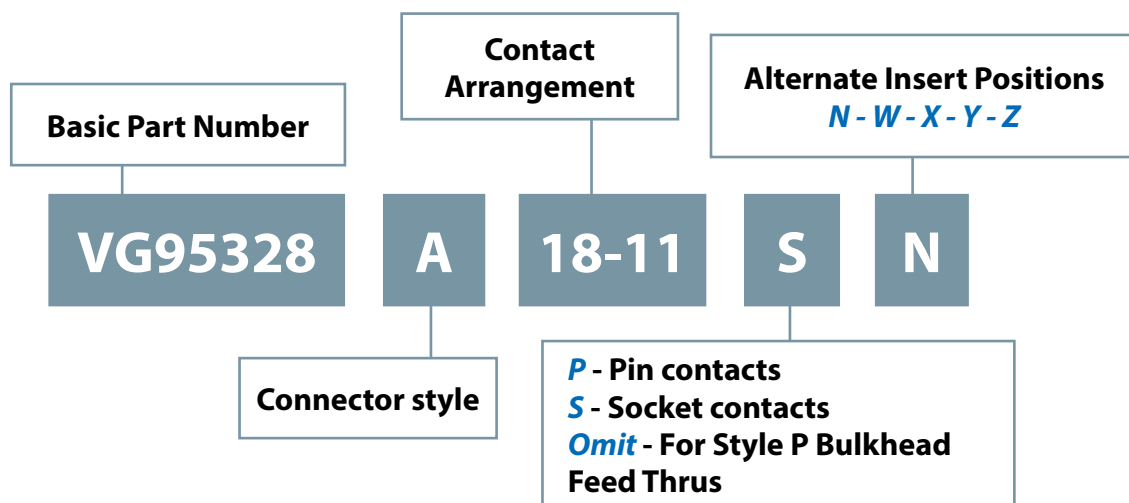
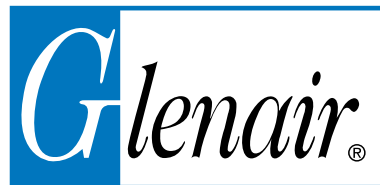


## Glenair IPT SE Series Bayonet-Lock High Performance Crimp Contact (MIL-DTL-26482 Serie I) How to Order • Part Number Breakdown

B



# VG95328 Part Number Cross Reference



B

| Cross Reference    |           |                  |
|--------------------|-----------|------------------|
| VG95328 Connectors | MS        | GLENAIR          |
| VG95328 A          | MS 3120 E | IPT 00 SE        |
| VG95328 B          | MS 3120 F | IPT 00 SE ... SR |
| VG95328 C          | MS 3122 E | IPT 02 SE        |
| VG95328 D          | MS 3124 E | IPT 07 SE        |
| VG95328 E          | MS 3124 F | IPT 07 SE ... SR |
| VG95328 F          | N.A.      | N. A.            |
| VG95328 G          | N.A.      | N. A.            |
| VG95328 H          | MS 3112 E | IPT 02 E         |
| VG95328 J          | N.A.      | IPT 06 GSE       |
| VG95328 K          | MS 3126 F | IPT 06 SE ... SR |
| VG95328 L          | N.A.      | N. A.            |
| VG95328 M          | N.A.      | IPT G 06 MSE     |
| VG95328 N          | N.A.      | IPT G 06 ASE     |
| VG95328 P          | MS 3119 E | IPT 02 PP        |
| VG95328 R          | N.A.      | IPT 00 MSE       |
| VG95328 S          | N.A.      | IPT 07 GSE       |
| VG95328 T          | N.A.      | IPT 07 MSE       |
| VG95328 U          | N.A.      | N. A.            |
| VG95328 V          | N.A.      | IPT G 06 GSE     |
| VG95328 W          | N.A.      | N. A.            |

| Cross Reference     |           |             |
|---------------------|-----------|-------------|
| VG95328 Accessories | MS        | GLENAIR     |
| VG95328 Z1 A        | MS 3181 C | IPT 3181 C  |
| VG95328 Z1 B        | N.A.      | IPT 3181 CF |
| VG95328 Z1 C        | N.A.      | N. A.       |
| VG95328 Z2 A        | MS 3180 C | IPT 3180 C  |
| VG95328 Z2 B        | N.A.      | IPT 3180 CF |
| VG95328 Z2 C        | N.A.      | N. A.       |
| VG95328 Z3 C        | N.A.      | IPT 3181 NF |
| VG95328 T07 A       | N.A.      | 10-101949   |
| VG95328 T07 B       | N.A.      | N. A.       |
| VG95328 T07 C       | MS 3115   | IPT 3115    |
| VG95328 T07 D       | N.A.      | N. A.       |



## Glenair IPT SE Series Bayonet-Lock High Performance Crimp Contact (MIL-DTL-26482 Serie I) Materials and Finishes

| MATERIALS                          |   |
|------------------------------------|---|
| COMPONENT                          | MATERIAL  |
| <b>Shells</b>                      | Aluminum Alloy IAW QQ-A-591 Shells<br>Stainless Steel Coupling Pins<br>Stainless Steel Spring |
| <b>Inserts (Temperature Range)</b> | High Insulation Synthetic Rubber (Polychloroprene): -55°C/+125°C<br>(Silicone): -55°C/+200°C  |
| <b>Contacts</b>                    | Copper Alloy with Gold Plating Over Nickel  |

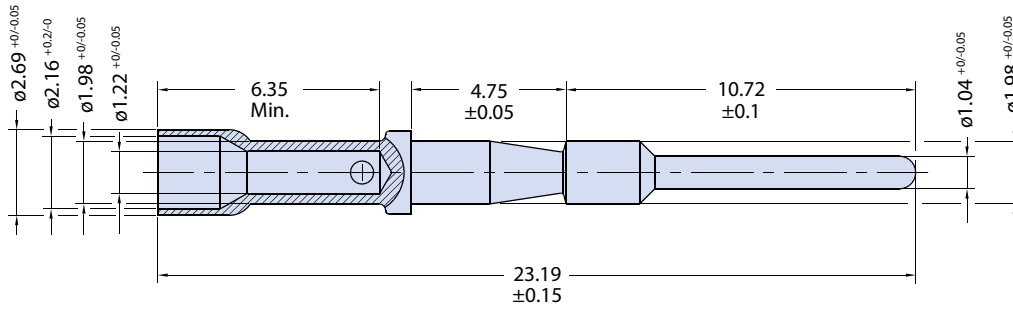
| STANDARD MATERIAL & FINISH OPTIONS |                           |                       |                         |                        |                         |
|------------------------------------|---------------------------|-----------------------|-------------------------|------------------------|-------------------------|
| Property                           | RoHS                      |                       |                         |                        | Not RoHS                |
|                                    | Alum/Black Non Conductive | Alum/Black Conductive | Alum/Electroless Nickel | Unplated/Marine Bronze | Alum/Cadmium Olive Drab |
|                                    | F6                        | F7                    | F11                     | MB                     | G3                      |
| Temperature Range                  | -55°C + 200°C             | -55°C + 175°C         | -55°C + 200°C           | -55°C + 200°C          | -55°C + 175°C           |
| Salt Spray Hours                   | 500                       | 500                   | 48                      | 1000                   | 500                     |
| Electical Conductivity             | NO                        | Very Good             | Very Good               | Very Good              | Very Good               |

**TABLE II: MODIFICATION CODES**

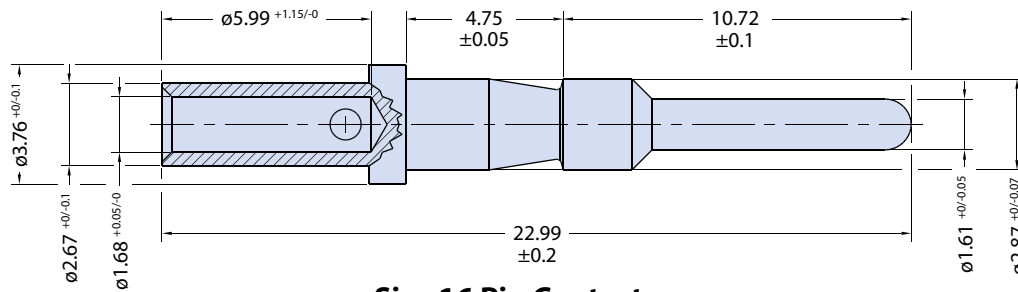
| CONTACT OPTIONS  |  |
|--|--|
| Sym  | Description  |
| <b>B0</b>  | Connector Without Contacts<br>(Only for crimp version) |
| FINISH OPTIONS   |  |
| Sym  | Description and RoHS compliant                         |
| <b>F6</b>  | Black Electrodeposited Paint                           |
| <b>F7</b>  | Black Zinc Nickel                                      |
| <b>F11</b>   | Electroless Nickel                                     |
| <b>MB</b>  | Marine Bronze  |
| <b>Omit for standard version<br/>(Cadmium Olive Drab Finish)</b> |  |

Conductive metal shells and plating provide a reliable ground plane for EMI applications when connectors are combined with appropriate shield termination backshells. Ground springs are also available in plug versions to further enhance EMC. Shells are keyed with five total alternate key positions. Inserts may also be clocked for additional polarization protection. The connectors are temperature rated from -55°C to +125°C / +200°C. High performance crimp contacts facilitate rapid assembly and repair.

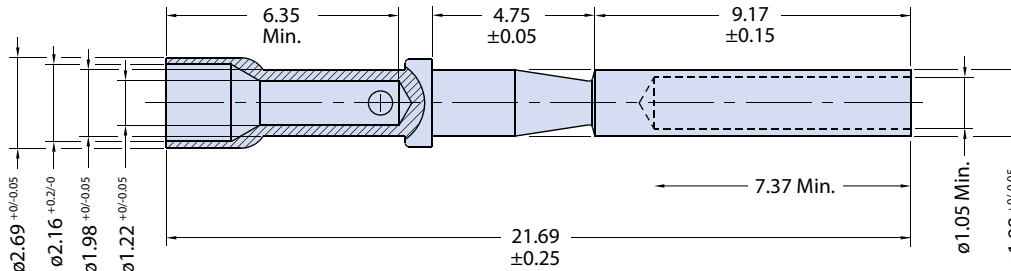
# Crimp Contact Dimensions Pin and Socket



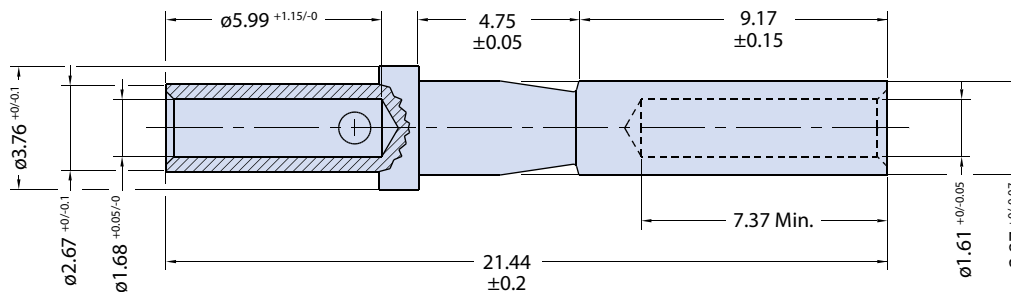
**Size 20 Pin Contact**  
**10-314980-20P**



**Size 16 Pin Contact**  
**10-314980-16P**



**Size 20 Socket Contact**  
**10-314980-20S**



**Size 16 Socket Contact**  
**10-314980-16S**

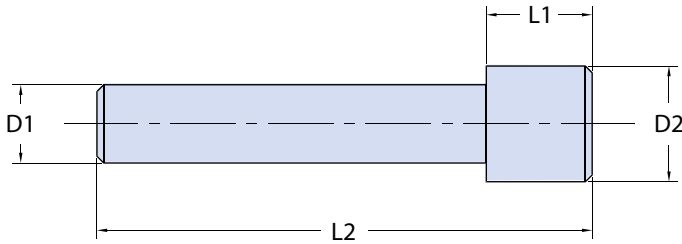
For crimp tools see page D-13





## Glenair IPT SE Series Insert Arrangement Tables and Sealing Plugs

### Sealing Plugs for Socket Cavity



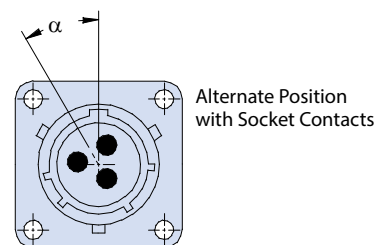
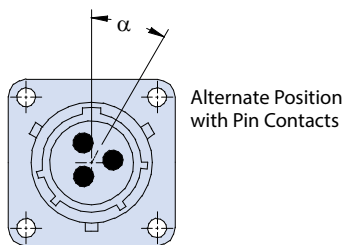
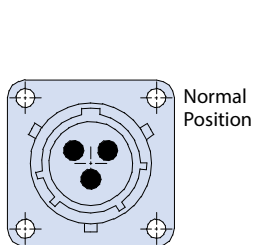
| SEALING PLUG DIMENSIONS |            |            |            |            |       |
|-------------------------|------------|------------|------------|------------|-------|
| Part Number             | D1<br>±0.1 | D2<br>±0.2 | L1<br>±0.1 | L2<br>±0.3 | Color |
| DIN 65194-20            | 1.62       | 2.3        | 3.5        | 14.5       | Red   |
| DIN 65194-16            | 2.30       | 3.4        | 3.1        | 14.5       | Blue  |

### Insert Arrangement Tables

| Arrangement | Cl. Isol. Rating | Dim. contact size |    |
|-------------|------------------|-------------------|----|
|             |                  | 20                | 16 |
| 8-3A        | I                | 3                 |    |
| 8-33        | I                | 3                 |    |
| 10-6        | I                | 6                 |    |
| 10-7        | I                | 7                 |    |
| 12-3        | II               |                   | 3  |
| 12-10       | I                | 10                |    |
| 14-5        | II               |                   | 5  |
| 14-12       | I                | 8                 | 4  |
| 14-15       | I                | 14                | 1  |
| 14-19       | I                | 19                |    |
| 16-8        | II               |                   | 8  |
| 16-23       | I                | 22                | 1  |
| 16-26       | I                | 26                |    |
| 18-11       | II               |                   | 11 |
| 18-32       | I                | 32                |    |
| 20-16       | II               |                   | 16 |
| 20-39       | I                | 37                | 2  |
| 20-41       | I                | 41                |    |
| 22-21       | II               |                   | 21 |
| 22-55       | I                | 55                |    |
| 24-61       | I                | 61                |    |

| Arrangement | Degrees |                  |     |     |
|-------------|---------|------------------|-----|-----|
|             | W       | X                | Y   | Z   |
| 8-3A        | 60      | 210 <sup>a</sup> |     |     |
| 8-33        | 90      |                  |     |     |
| 10-6        | 90      |                  |     |     |
| 10-7        | 90      |                  |     |     |
| 12-3        |         |                  | 180 |     |
| 12-10       | 60      | 155              | 270 | 295 |
| 14-5        | 40      | 92               | 184 | 273 |
| 14-12       | 43      | 90               |     |     |
| 14-15       | 17      | 110              | 155 | 234 |
| 14-19       | 30      | 165              | 315 |     |
| 16-8        | 54      | 152              | 180 | 331 |
| 16-23       | 158     |                  |     |     |
| 16-26       | 60      |                  | 275 | 338 |
| 18-11       | 62      | 119              | 241 | 340 |
| 18-32       | 85      | 138              | 222 | 265 |
| 20-16       | 238     | 318              | 333 | 347 |
| 20-39       | 63      | 144              | 252 | 333 |
| 20-41       | 45      | 126              | 225 |     |
| 22-21       | 16      | 135              | 175 | 349 |
| 22-55       | 30      | 142              | 226 | 314 |
| 24-61       | 90      | 180              | 270 | 324 |

<sup>a</sup> Not for new design

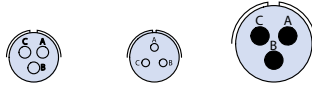




# Glenair IPT SE Series Available Insert Arrangements



## 3 Contacts



|                 |      |      |      |
|-----------------|------|------|------|
| Arrangement:    | 8-3A | 8-33 | 12-3 |
| Contact Size:   | 20   | 20   | 16   |
| Service Rating: | I    | I    | II   |

## 5 Contacts



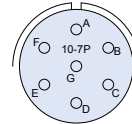
|                 |      |
|-----------------|------|
| Arrangement:    | 14-5 |
| Contact Size:   | 16   |
| Service Rating: | II   |

## 6 Contacts



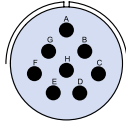
|                 |      |
|-----------------|------|
| Arrangement:    | 10-6 |
| Contact Size:   | 20   |
| Service Rating: | I    |

## 7 Contacts



|                 |      |
|-----------------|------|
| Arrangement:    | 10-7 |
| Contact Size:   | 20   |
| Service Rating: | I    |

## 8 Contacts



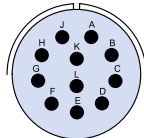
|                 |      |
|-----------------|------|
| Arrangement:    | 16-8 |
| Contact Size:   | 16   |
| Service Rating: | II   |

## 10 Contacts



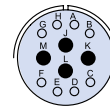
|                 |       |
|-----------------|-------|
| Arrangement:    | 12-10 |
| Contact Size:   | 20    |
| Service Rating: | I     |

## 11 Contacts



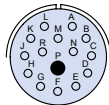
|                 |       |
|-----------------|-------|
| Arrangement:    | 18-11 |
| Contact Size:   | 16    |
| Service Rating: | II    |

## 12 Contacts



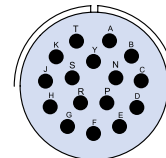
|                 |            |
|-----------------|------------|
| Arrangement:    | 14-12      |
| Contact Size:   | 8-20, 4-16 |
| Service Rating: | I          |

## 15 Contacts

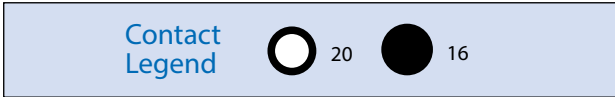


|                 |             |
|-----------------|-------------|
| Arrangement:    | 14-15       |
| Contact Size:   | 14-20, 1-16 |
| Service Rating: | I           |

## 16 Contacts



|                 |       |
|-----------------|-------|
| Arrangement:    | 20-16 |
| Contact Size:   | 16    |
| Service Rating: | II    |



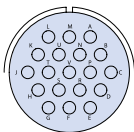
**B**



## Glenair IPT SE Series Available Insert Arrangements

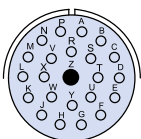
B

### 19 Contacts



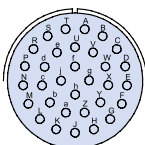
|                 |       |
|-----------------|-------|
| Arrangement:    | 14-19 |
| Contact Size:   | 20    |
| Service Rating: | I     |

### 23 Contacts



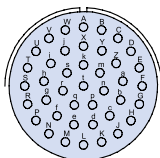
|                 |             |
|-----------------|-------------|
| Arrangement:    | 16-23       |
| Contact Size:   | 22-20, 1-16 |
| Service Rating: | I           |

### 32 Contacts



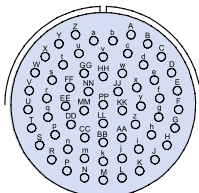
|                 |       |
|-----------------|-------|
| Arrangement:    | 18-32 |
| Contact Size:   | 20    |
| Service Rating: | I     |

### 41 Contacts



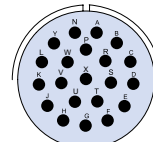
|                 |       |
|-----------------|-------|
| Arrangement:    | 20-41 |
| Contact Size:   | 20    |
| Service Rating: | I     |

### 61 Contacts



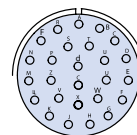
|                 |       |
|-----------------|-------|
| Arrangement:    | 24-61 |
| Contact Size:   | 20    |
| Service Rating: | I     |

### 21 Contacts



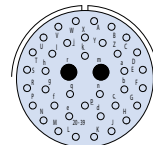
|                 |       |
|-----------------|-------|
| Arrangement:    | 22-21 |
| Contact Size:   | 16    |
| Service Rating: | II    |

### 26 Contacts



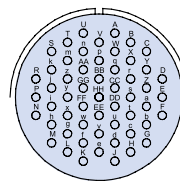
|                 |       |
|-----------------|-------|
| Arrangement:    | 16-26 |
| Contact Size:   | 20    |
| Service Rating: | I     |

### 39 Contacts



|                 |             |
|-----------------|-------------|
| Arrangement:    | 20-39       |
| Contact Size:   | 37-20, 2-16 |
| Service Rating: | I           |

### 55 Contacts



|                 |       |
|-----------------|-------|
| Arrangement:    | 22-55 |
| Contact Size:   | 20    |
| Service Rating: | I     |

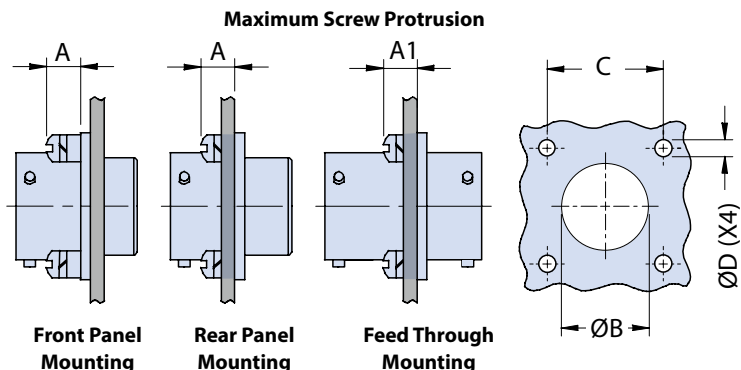
Contact Legend



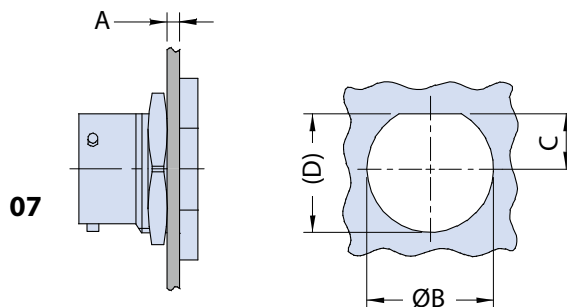
# Glenair IPT SE Series Bayonet-Lock High Performance Crimp (MIL-C-26482 Type) Fastener Height Requirements and Panel Cutout Dimensions



For front panel mount square flange connectors (00) the "A" dimension indicates the measured maximums that mounting hardware can stand proud from the connector flange before it will interfere with connector mating. For rear box mount square flange connectors (02) the same "A" column maximum dimensions apply, but in this case the measurement taken includes the thickness of the panel wall or box (so the mounting hardware needs to be correspondingly shorter). Column "A1" defines the max dimensions for the bulkhead feedthrough (02PP) before mounting hardware interferes with mating.



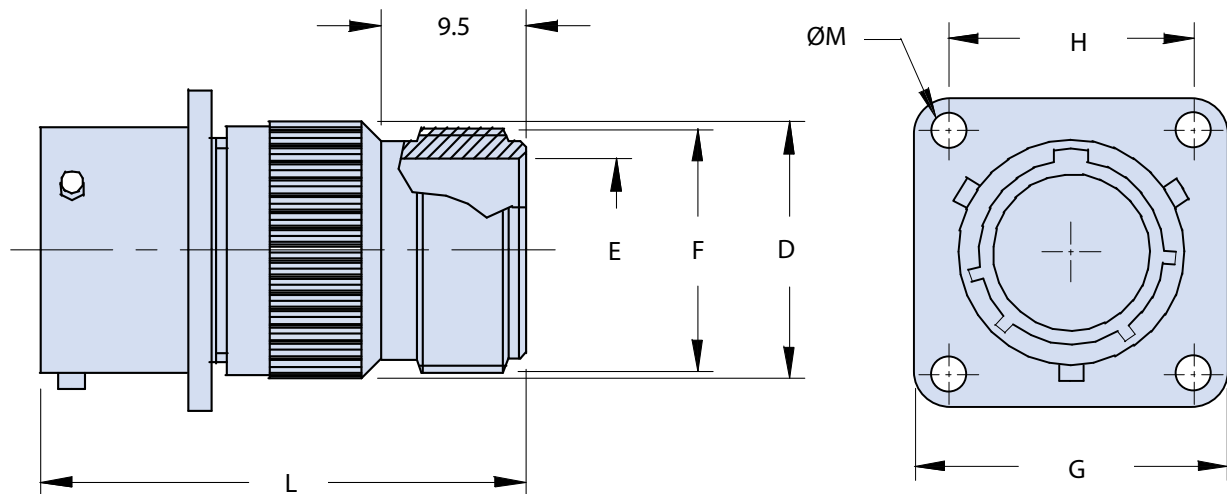
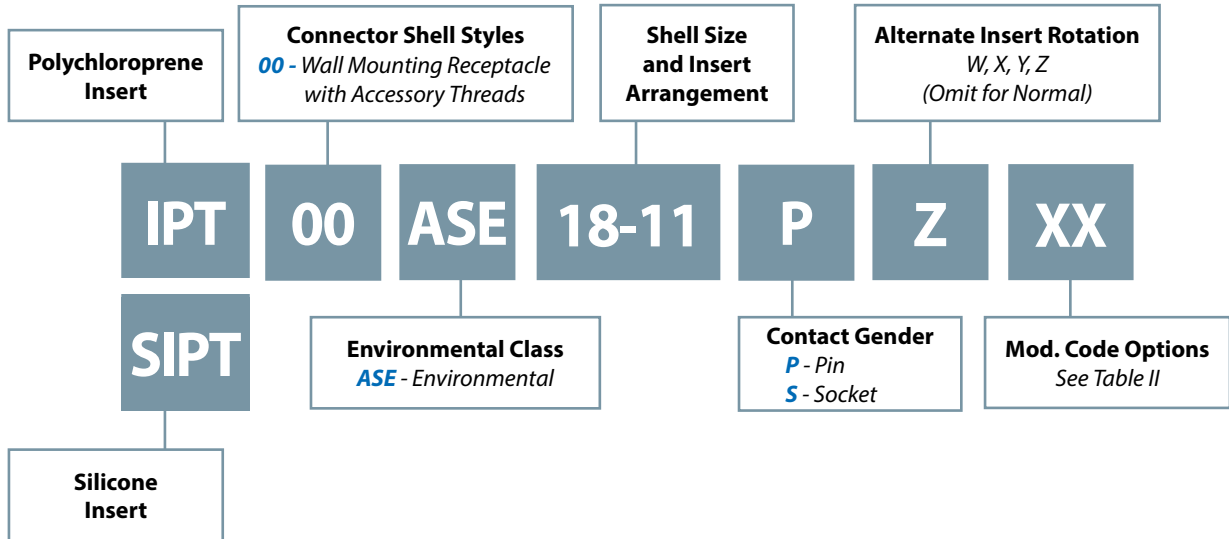
| Panel thickness and panel cutout |       |        |              |            |        |          |
|----------------------------------|-------|--------|--------------|------------|--------|----------|
| Shell Size                       | A max | A1 max | ØB +0.2 / -0 |            | C ±0.1 | ØD ±0.12 |
|                                  |       |        | Front Panel  | Rear Panel |        |          |
| 8                                | 2.2   | 5.54   | 12.7         | 15.0       | 15.10  | 3.04     |
| 10                               | 2.2   | 5.54   | 16.0         | 18.0       | 18.25  | 3.04     |
| 12                               | 2.2   | 5.54   | 19.0         | 22.5       | 20.60  | 3.04     |
| 14                               | 2.2   | 5.54   | 22.2         | 25.7       | 23.00  | 3.04     |
| 16                               | 2.2   | 5.54   | 25.5         | 29.0       | 24.60  | 3.04     |
| 18                               | 2.2   | 5.54   | 28.5         | 32.0       | 27.00  | 3.04     |
| 20                               | 5.4   | 8.74   | 31.7         | 35.2       | 29.35  | 3.04     |
| 22                               | 5.4   | 8.74   | 35.0         | 38.5       | 31.75  | 3.04     |
| 24                               | 5.4   | 7.9    | 38.0         | 41.6       | 34.90  | 3.73     |



| Panel thickness and panel cutout for Jam Nut connectors |             |              |              |      |
|---|-------------|--------------|--------------|------|
| Shell Size  | A min - max | ØB +0.2 / -0 | C +0 / -0.25 | (D)  |
| 8   | 1.6 - 3.2   | 14.5         | 6.35         | 13.6 |
| 10  | 1.6 - 3.2   | 17.7         | 7.95         | 16.8 |
| 12  | 1.6 - 3.2   | 22.7         | 9.55         | 20.9 |
| 14  | 1.6 - 3.2   | 25.7         | 11.25        | 24.1 |
| 16  | 1.6 - 3.2   | 28.8         | 12.80        | 27.2 |
| 18  | 1.6 - 3.2   | 32.0         | 14.40        | 30.4 |
| 20  | 1.6 - 6.3   | 35.1         | 16.10        | 33.6 |
| 22  | 1.6 - 3.2   | 38.4         | 17.6         | 36.8 |
| 24  | 1.6 - 3.2   | 41.5         | 19.25        | 40.0 |



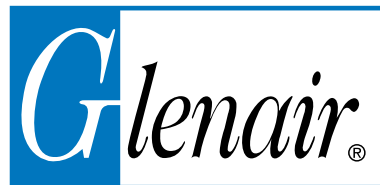
# IPT 00 ASE Front Panel Mount Square Flange Receptacle with Backshell



### Application Notes

1. Wall mounting receptacle with accessory threads. Through mounting holes.
2. Connector Class "ASE" (environmental).
3. Standard materials configuration consists of aluminum alloy with stainless steel coupling pins.
4. Standard contact material consists of copper alloy with gold plating over nickel.
5. A broad range of other front and rear connector accessories are available. See our website and/or contact factory for complete information.
6. Standard insert is high insulation synthetic rubber.

**IPT 00 ASE**  
**Front Panel Mount Square Flange Receptacle**  
**with Backshell**



**TABLE I: DIMENSIONS**

| Shell size | D<br>Max. | E<br>min. | F<br>Thread in inches | G<br>±0.4 | H<br>±0.1 | ØM<br>+0.1<br>0 | L<br>Max. |
|------------|-----------|-----------|-----------------------|-----------|-----------|-----------------|-----------|
| 8          | 15.00     | 7.55      | .5000 - 28 UNEF       | 20.6      | 15.10     | 3.04            | 45.9      |
| 10         | 18.20     | 10.70     | .6250 - 24 UNEF       | 23.8      | 18.25     | 3.04            | 45.9      |
| 12         | 21.20     | 13.85     | .7500 - 20 UNEF       | 26.2      | 20.60     | 3.04            | 45.9      |
| 14         | 24.60     | 16.85     | .8750 - 20 UNEF       | 28.6      | 23.00     | 3.04            | 45.9      |
| 16         | 27.60     | 20.00     | 1.0000 - 20 UNEF      | 31.0      | 24.60     | 3.04            | 45.9      |
| 18         | 30.90     | 22.30     | 1.1875 - 18 UNEF      | 33.3      | 27.00     | 3.04            | 45.9      |
| 20         | 33.80     | 25.75     | 1.1875 - 18 UNEF      | 36.5      | 29.40     | 3.04            | 50.0      |
| 22         | 37.10     | 28.80     | 1.4375 - 18 UNEF      | 39.7      | 31.75     | 3.04            | 50.0      |
| 24         | 40.25     | 32.00     | 1.4375 - 18 UNEF      | 42.8      | 34.92     | 3.73            | 50.0      |

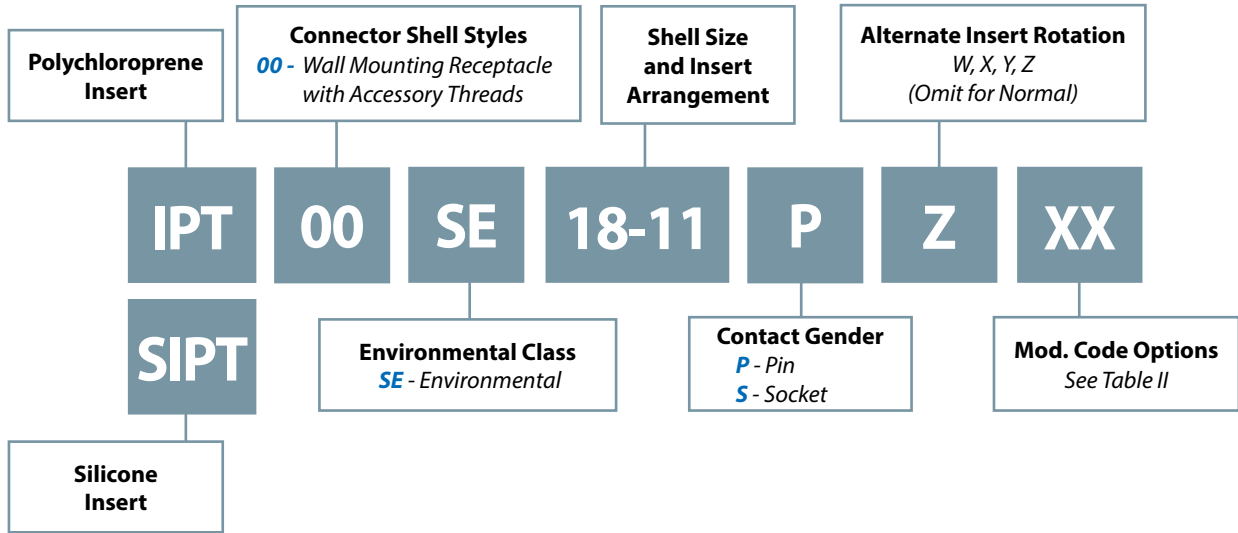
**B**

**TABLE II: MODIFICATION CODES**

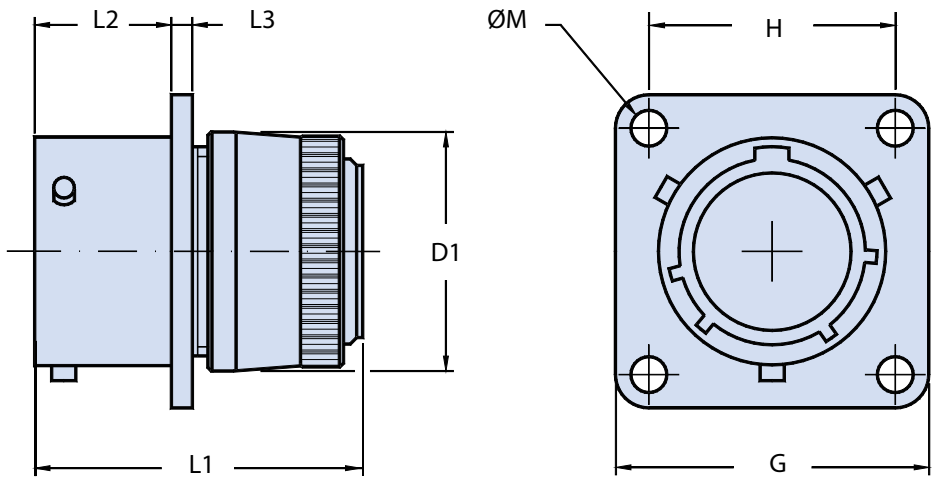
| CONTACT OPTIONS  |  |
|--|--|
| Sym  | Description  |
| <b>B0</b>  | Connector Without Contacts<br>(Only for crimp version) |
| FINISH OPTIONS   |  |
| Sym  | Description and RoHS compliant                         |
| <b>F6</b>  | Black Electrodeposited Paint                           |
| <b>F7</b>  | Black Zinc Nickel                                      |
| <b>F11</b>   | Electroless Nickel                                     |
| <b>MB</b>  | Marine Bronze  |
| <b>Omit for standard version<br/>(Cadmium Olive Drab Finish)</b> |  |



# IPT 00 SE Front Panel Mount Square Flange Receptacle with General Duty Backshell



**B**



### Application Notes

1. Wall mounting receptacle with accessory threads includes sealing grommet and backshell for use with individual wires. Also includes general duty backshell for the attachment of various backend connector accessories; through mounting holes.
2. Connector Class "SE" (environmental).
3. Standard materials configuration consists of aluminum alloy with stainless steel coupling pins.
4. Standard contact material consists of copper alloy with gold plating over nickel.
5. A broad range of other front and rear connector accessories are available. See our website and/or contact factory for complete information.
6. Standard insert is high insulation synthetic rubber.

**IPT 00 SE**  
**Front Panel Mount Square Flange Receptacle**  
**with General Duty Backshell**



**TABLE I: DIMENSIONS**

| Shell Size | D1<br>Max | G<br>±0.4 | H<br>±0.1 | ØM<br>+0.1<br>0 | L1<br>Max. | L2<br>+ 0.8<br>- 0 | L3<br>Max. |
|------------|-----------|-----------|-----------|-----------------|------------|--------------------|------------|
| 8          | 15.44     | 20.6      | 15.10     | 3.04            | 40         | 10.94              | 2.0        |
| 10         | 18.64     | 23.8      | 18.25     | 3.04            | 40         | 10.94              | 2.0        |
| 12         | 21.79     | 26.2      | 20.60     | 3.04            | 40         | 10.94              | 2.0        |
| 14         | 25.00     | 28.6      | 23.00     | 3.04            | 40         | 10.94              | 2.0        |
| 16         | 28.19     | 31.0      | 24.60     | 3.04            | 40         | 10.94              | 2.0        |
| 18         | 31.34     | 33.3      | 27.00     | 3.04            | 40         | 10.94              | 2.0        |
| 20         | 34.54     | 36.5      | 29.40     | 3.04            | 44         | 14.12              | 2.8        |
| 22         | 37.69     | 39.7      | 31.75     | 3.04            | 44         | 14.12              | 2.8        |
| 24         | 40.89     | 42.8      | 34.92     | 3.73            | 44         | 14.86              | 2.8        |

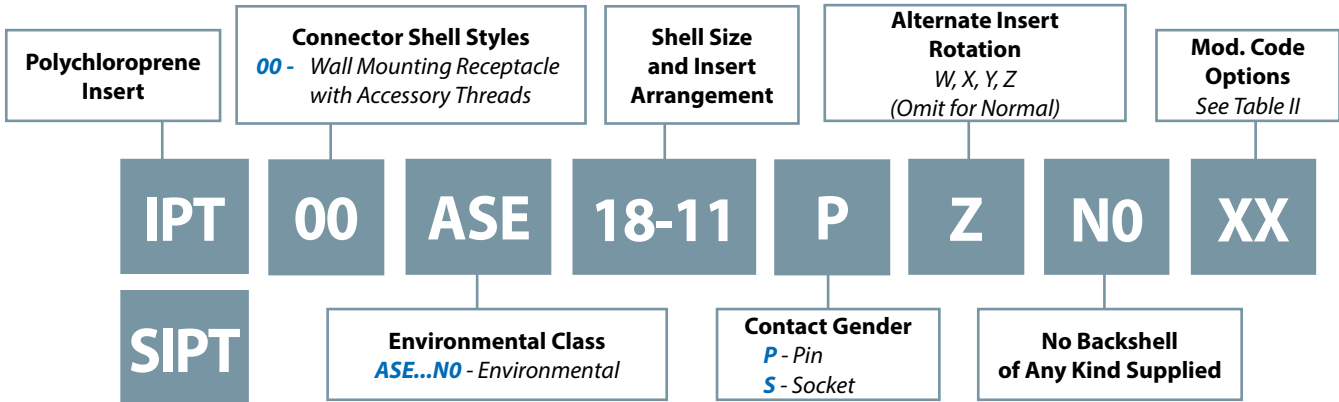


**TABLE II: MODIFICATION CODES**

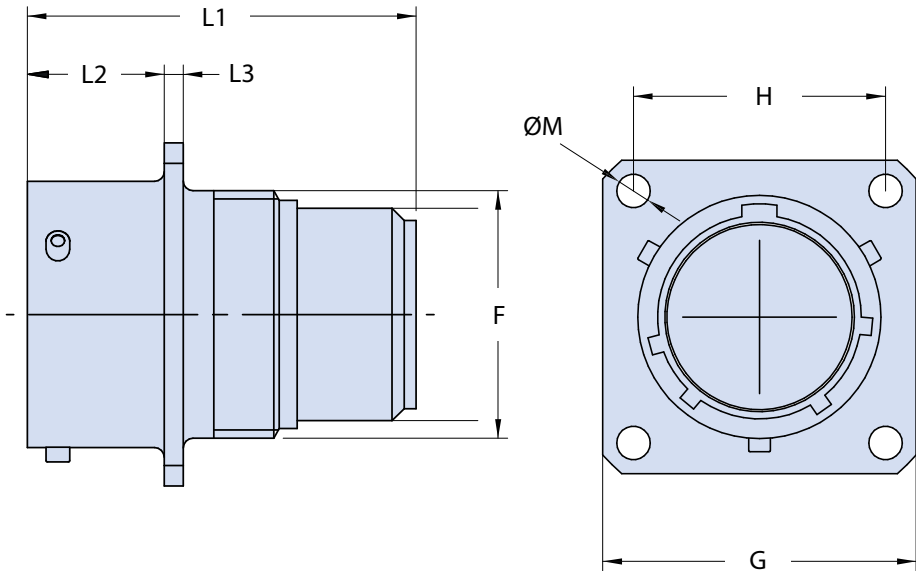
| CONTACT OPTIONS  |  |
|--|--|
| Sym  | Description  |
| <b>B0</b>  | Connector Without Contacts<br>(Only for crimp version) |
| FINISH OPTIONS   |  |
| Sym  | Description and RoHS compliant                         |
| <b>F6</b>  | Black Electrodeposited Paint                           |
| <b>F7</b>  | Black Zinc Nickel                                      |
| <b>F11</b>   | Electroless Nickel                                     |
| <b>MB</b>  | Marine Bronze  |
| <b>Omit for standard version<br/>(Cadmium Olive Drab Finish)</b> |  |



# IPT 00 ASE...NO Front Panel Mount Square Flange Receptacle without Backshell



**B**  
Silicone Insert



### Application Notes

1. Wall mounting receptacle with accessory threads in the rear flange for the backshell and accessories attachment; through mounting holes.
2. Connector Class "ASE...NO" (environmental).
3. Standard materials configuration consists of aluminum alloy with stainless steel coupling pins.
4. Standard contact material consists of copper alloy with gold plating over nickel.
5. A broad range of other front and rear connector accessories are available. See our website and/or contact factory for complete information.
6. Standard insert is high insulation synthetic rubber.



**IPT 00 ASE...N0**  
**Front Panel Mount Square Flange Receptacle**  
**without Backshell**



**TABLE I: DIMENSIONS**

| Shell size | G<br>±0.4 | H<br>±0.1 | ØM<br>+0.1<br>0 | F<br>Thread in inches | L1<br>Max. | L2<br>+0.8<br>-0 | L3<br>Max. |
|------------|-----------|-----------|-----------------|-----------------------|------------|------------------|------------|
| 8          | 20.6      | 15.10     | 3.04            | .4375 - 28 UNEF       | 33.5       | 10.94            | 2.0        |
| 10         | 23.8      | 18.25     | 3.04            | .5625 - 24 UNEF       | 33.5       | 10.94            | 2.0        |
| 12         | 26.2      | 20.60     | 3.04            | .6875 - 24 UNEF       | 33.5       | 10.94            | 2.0        |
| 14         | 28.6      | 23.00     | 3.04            | .8125 - 20 UNEF       | 33.5       | 10.94            | 2.0        |
| 16         | 31.0      | 24.60     | 3.04            | .9375 - 20 UNEF       | 33.5       | 10.94            | 2.0        |
| 18         | 33.3      | 27.00     | 3.04            | 1.0625 - 18 UNEF      | 33.5       | 10.94            | 2.0        |
| 20         | 36.5      | 29.40     | 3.04            | 1.1875 - 18 UNEF      | 34.7       | 14.12            | 2.8        |
| 22         | 39.7      | 31.75     | 3.04            | 1.3125 - 20 UNEF      | 36.0       | 14.12            | 2.8        |
| 24         | 42.8      | 34.92     | 3.73            | 1.4375 - 18 UNEF      | 36.0       | 14.96            | 2.8        |

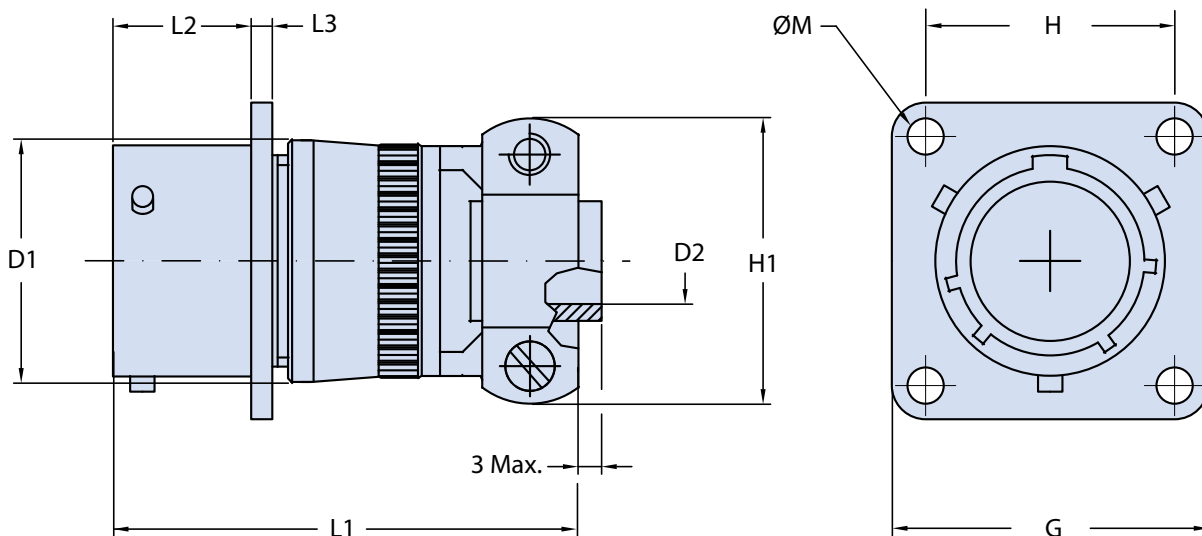
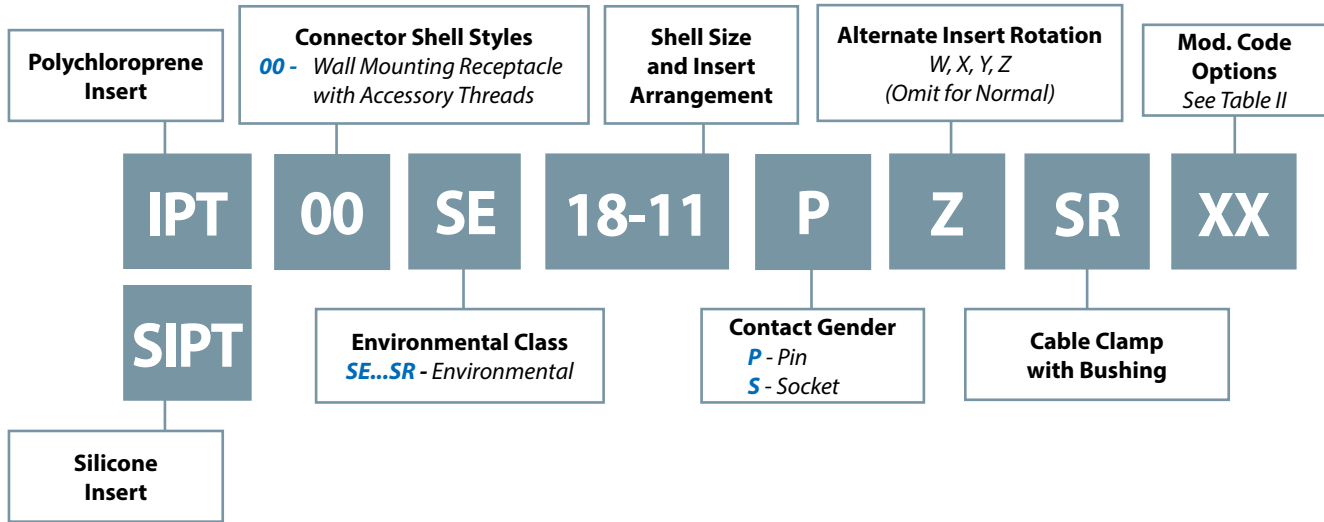


**TABLE II: MODIFICATION CODES**

| CONTACT OPTIONS  |  |
|--|--|
| Sym  | Description  |
| <b>B0</b>  | Connector Without Contacts<br>(Only for crimp version) |
| FINISH OPTIONS   |  |
| Sym  | Description and RoHS compliant                         |
| <b>F6</b>  | Black Electrodeposited Paint                           |
| <b>F7</b>  | Black Zinc Nickel                                      |
| <b>F11</b>   | Electroless Nickel                                     |
| <b>MB</b>  | Marine Bronze  |
| <b>Omit for standard version<br/>(Cadmium Olive Drab Finish)</b> |  |



# IPT 00 SE...SR Front Panel Mount Square Flange Receptacle with Backshell, Cable Clamp and Bushing



### Application Notes

1. Wall mounting receptacle with accessory threads with cable clamp and bushing for cable protection; through mounting holes.
2. Connector Class "SE...SR" (environmental).
3. Standard materials configuration consists of aluminum alloy with stainless steel coupling pins.
4. Standard contact material consists of copper alloy with gold plating over nickel.
5. A broad range of other front and rear connector accessories are available. See our website and/or contact factory for complete information.
6. Standard insert is high insulation synthetic rubber.

**IPT 00 SE...SR**  
**Front Panel Mount Square Flange Receptacle**  
**with Backshell, Cable Clamp and Bushing**



**TABLE I: DIMENSIONS**

| Shell size | G<br>±0.4 | H<br>±0.1 | ØM<br>+0.1<br>0 | D1<br>Max. | D2<br>+ 0.3<br>- 0.7 | H1<br>± 0.2 | L1<br>Max. | L2<br>+ 0.8<br>- 0 | L3<br>Max. |
|------------|-----------|-----------|-----------------|------------|----------------------|-------------|------------|--------------------|------------|
| 8          | 20.6      | 15.10     | 3.04            | 15.44      | 3.2                  | 19.10       | 49.5       | 10.94              | 2.0        |
| 10         | 23.8      | 18.25     | 3.04            | 18.64      | 4.8                  | 20.70       | 49.5       | 10.94              | 2.0        |
| 12         | 26.2      | 20.60     | 3.04            | 27.79      | 7.9                  | 23.90       | 49.5       | 10.94              | 2.0        |
| 14         | 28.6      | 23.00     | 3.04            | 25.00      | 9.5                  | 27.00       | 49.5       | 10.94              | 2.0        |
| 16         | 31.0      | 24.60     | 3.04            | 28.19      | 12.7                 | 28.60       | 53.0       | 10.94              | 2.0        |
| 18         | 33.3      | 27.00     | 3.04            | 31.34      | 15.9                 | 35.00       | 53.0       | 10.94              | 2.0        |
| 20         | 36.5      | 29.40     | 3.04            | 34.54      | 15.9                 | 35.00       | 60.5       | 14.12              | 2.8        |
| 22         | 39.7      | 31.75     | 3.04            | 37.69      | 19.1                 | 39.75       | 60.5       | 14.12              | 2.8        |
| 24         | 42.8      | 34.92     | 3.73            | 40.89      | 20.3                 | 42.10       | 63.0       | 14.96              | 2.8        |

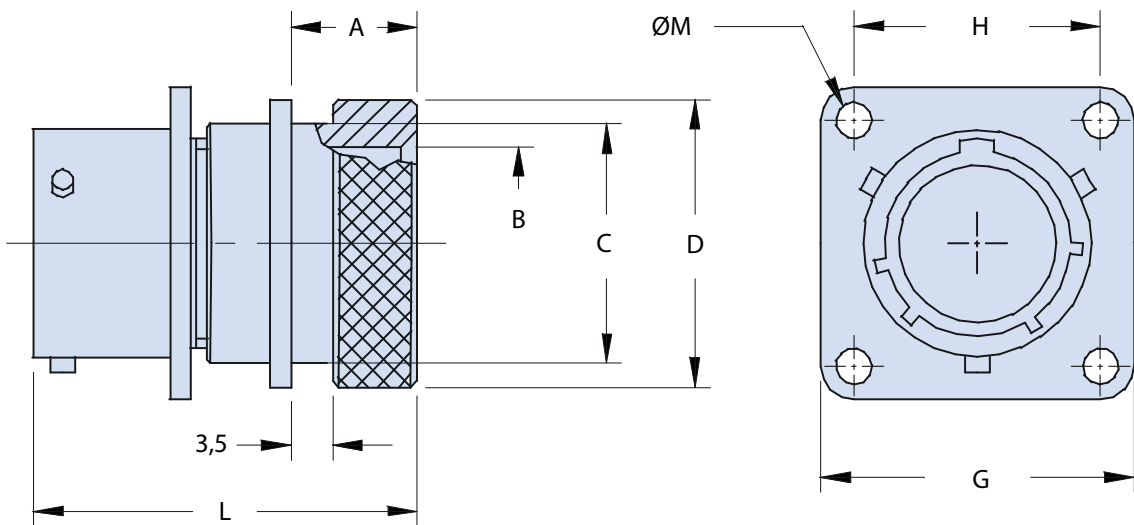
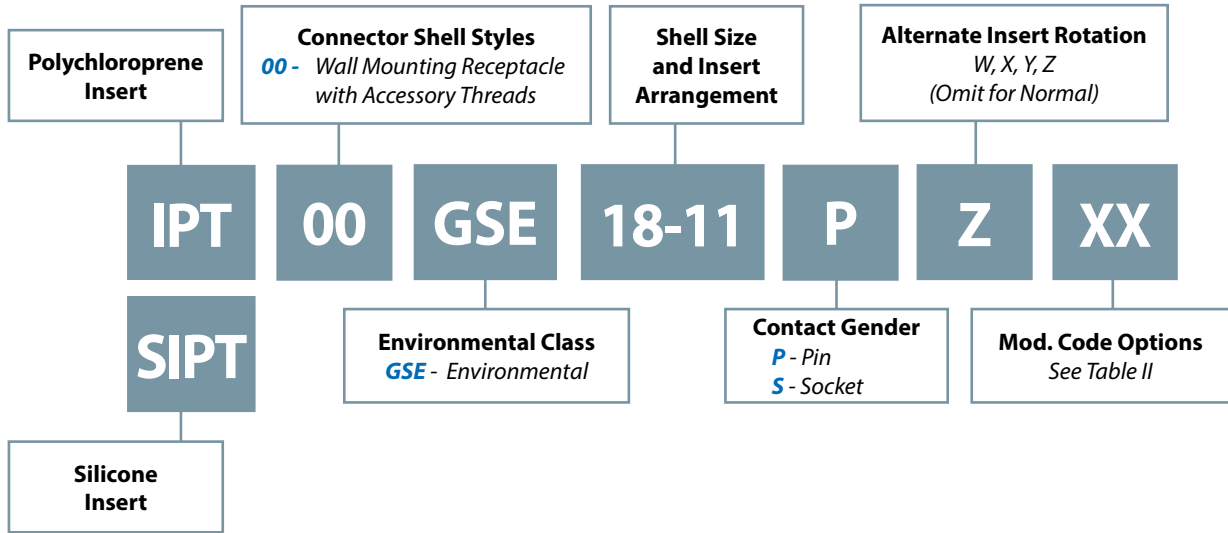
**B**

**TABLE II: MODIFICATION CODES**

| CONTACT OPTIONS  |  |
|--|--|
| Sym  | Description  |
| <b>B0</b>  | Connector Without Contacts<br>(Only for crimp version) |
| FINISH OPTIONS   |  |
| Sym  | Description and RoHS compliant                         |
| <b>F6</b>  | Black Electrodeposited Paint                           |
| <b>F7</b>  | Black Zinc Nickel                                      |
| <b>F11</b>   | Electroless Nickel                                     |
| <b>MB</b>  | Marine Bronze  |
| <b>Omit for standard version<br/>(Cadmium Olive Drab Finish)</b> |  |



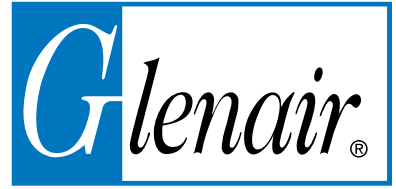
# IPT 00 GSE Front Panel Mount Square Flange Receptacle with Shrink Boot Backshell



### Application Notes

- 1 Wall mounting receptacle with accessory threads, sealing grommet and backshell for heat shrink boot; through mounting holes.
- 2 Connector/Backshell Class "GSE" (environmental).
- 3 Standard materials configuration consists of aluminum alloy with stainless steel coupling pins.
- 4 Standard contact material consists of copper alloy with gold plating over nickel.
- 5 A broad range of other front and rear connector accessories are available. See our website and/or contact factory for complete information.
- 6 Standard insert is high insulation synthetic rubber.

**IPT 00 GSE**  
**Front Panel Mount Square Flange Receptacle**  
**with Shrink Boot Backshell**



**TABLE I: DIMENSIONS**

| Shell size | A<br>±0.1 | B<br>+0.1<br>-0 | C<br>+0<br>-0.1 | D<br>+0<br>-0.3 | G<br>±0.4 | H<br>±0.1 | ØM<br>+0.1<br>0 | L<br>Max. |
|------------|-----------|-----------------|-----------------|-----------------|-----------|-----------|-----------------|-----------|
| 8          | 12.2      | 8.20            | 13.0            | 15.5            | 20.6      | 15.10     | 3.04            | 43.5      |
| 10         | 12.2      | 11.40           | 15.8            | 18.3            | 23.8      | 18.25     | 3.04            | 42.0      |
| 12         | 12.2      | 14.55           | 21.0            | 23.6            | 26.2      | 20.60     | 3.04            | 42.0      |
| 14         | 12.2      | 17.50           | 21.8            | 24.4            | 28.6      | 23.00     | 3.04            | 42.0      |
| 16         | 14.5      | 20.60           | 25.9            | 29.7            | 31.0      | 24.60     | 3.04            | 44.0      |
| 18         | 14.5      | 23.15           | 28.2            | 31.9            | 33.3      | 27.00     | 3.04            | 44.5      |
| 20         | 15.8      | 26.50           | 32.2            | 36.0            | 36.5      | 29.40     | 3.04            | 48.5      |
| 22         | 15.8      | 29.60           | 34.5            | 38.4            | 39.7      | 31.75     | 3.04            | 48.5      |
| 24         | 14.9      | 32.80           | 37.6            | 41.5            | 42.8      | 34.92     | 3.73            | 48.5      |

**B**

**TABLE II: MODIFICATION CODES**

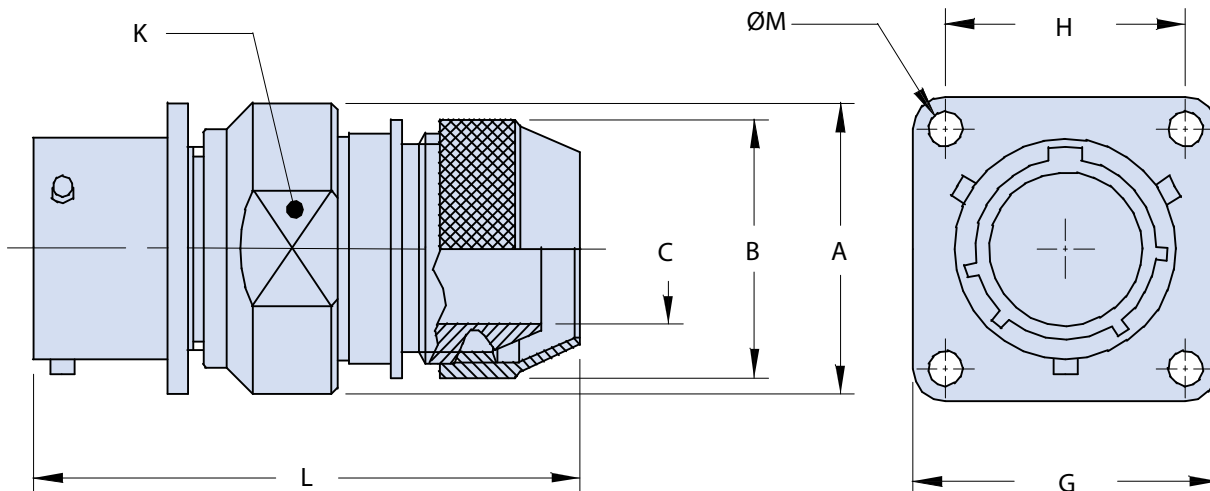
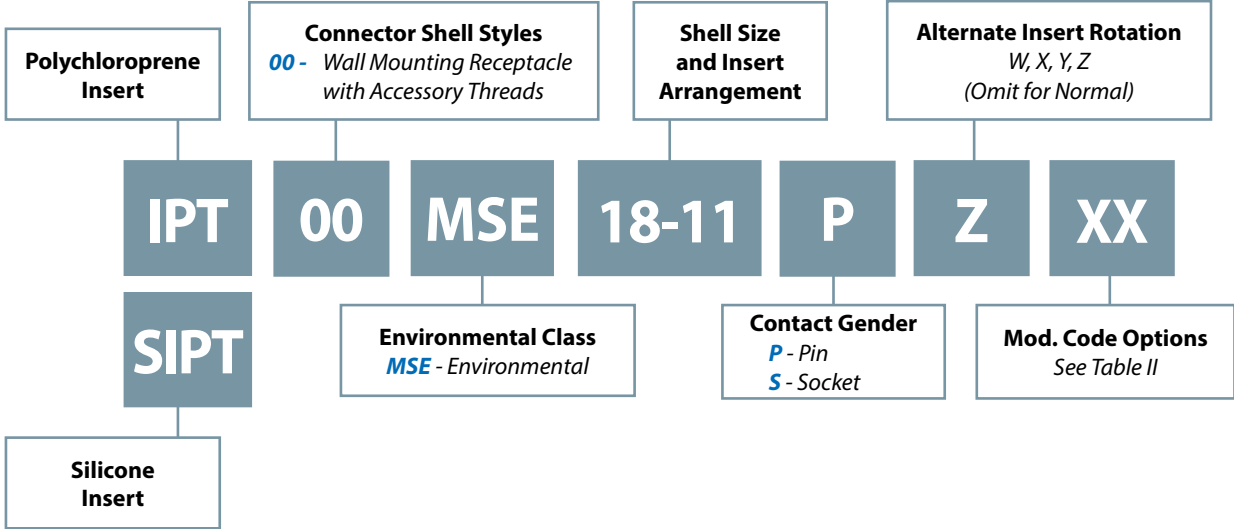
| CONTACT OPTIONS  |  |
|--|--|
| Sym  | Description  |
| <b>B0</b>  | Connector Without Contacts<br>(Only for crimp version) |
| FINISH OPTIONS   |  |
| Sym  | Description and RoHS compliant                         |
| <b>F6</b>  | Black Electrodeposited Paint                           |
| <b>F7</b>  | Black Zinc Nickel                                      |
| <b>F11</b>   | Electroless Nickel                                     |
| <b>MB</b>  | Marine Bronze  |
| <b>Omit for standard version<br/>(Cadmium Olive Drab Finish)</b> |  |



# IPT 00 MSE

## Front Panel Mount Square Flange Receptacle with Backshell

### for EMI Shield Termination and Shrink Boot



#### Application Notes

1. Wall mounting receptacle with accessory threads, backshell for terminating shielded cable, suitable for heat shrink boots; through mounting holes.
2. Connector/Backshell Class "MSE" (environmental).
3. Standard materials configuration consists of aluminum alloy with stainless steel coupling pins.
4. Standard contact material consists of copper alloy with gold plating over nickel.
5. A broad range of other front and rear connector accessories are available. See our website and/or contact factory for complete information.
6. Standard insert is high insulation synthetic rubber.

**IPT 00 MSE**  
**Front Panel Mount Square Flange Receptacle**  
**with Backshell**  
**for EMI Shield Termination and Shrink Boot**



**TABLE I: DIMENSIONS**

| Shell size | A<br>Max. | B<br>+0.5<br>-0 | C<br>min. | G<br>±0.4 | H<br>±0.1 | ØM<br>+0.1<br>0 | L<br>Max. | K<br>Key |
|------------|-----------|-----------------|-----------|-----------|-----------|-----------------|-----------|----------|
| 8          | 20        | 16              | 6.6       | 20.6      | 15.10     | 3.04            | 55        | 18       |
| 10         | 23        | 18              | 9.2       | 23.8      | 18.25     | 3.04            | 55        | 21       |
| 12         | 27        | 22              | 12.2      | 26.2      | 20.60     | 3.04            | 55        | 24       |
| 14         | 30        | 25              | 15.2      | 28.6      | 23.00     | 3.04            | 56        | 28       |
| 16         | 33        | 28              | 18.3      | 31.0      | 24.60     | 3.04            | 56        | 31       |
| 18         | 36        | 32              | 20.0      | 33.3      | 27.00     | 3.04            | 56        | 34       |
| 20         | 40        | 34              | 23.0      | 36.5      | 29.40     | 3.04            | 62        | 37       |
| 22         | 43        | 38              | 26.0      | 39.7      | 31.75     | 3.04            | 62        | 41       |
| 24         | 46        | 41              | 28.8      | 42.8      | 34.92     | 3.73            | 64        | 44       |

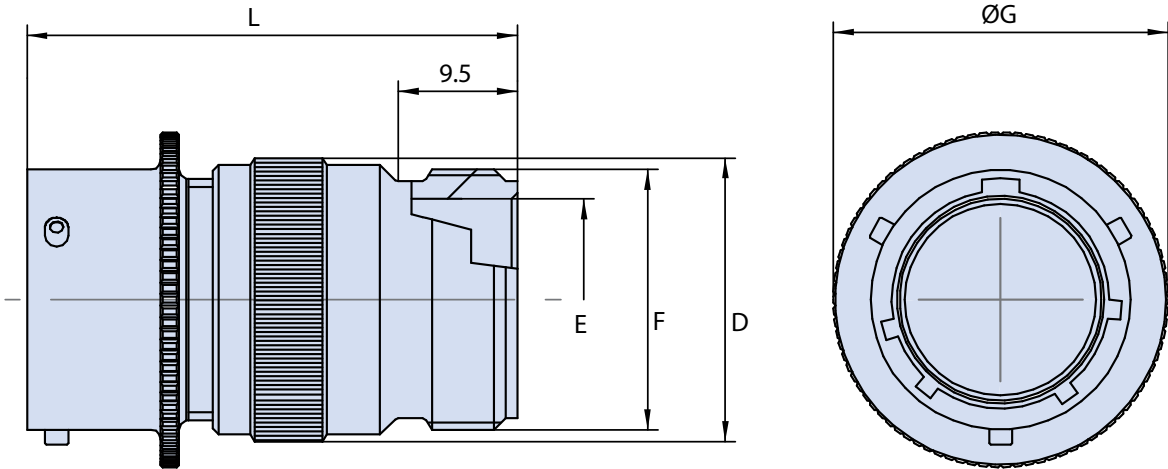
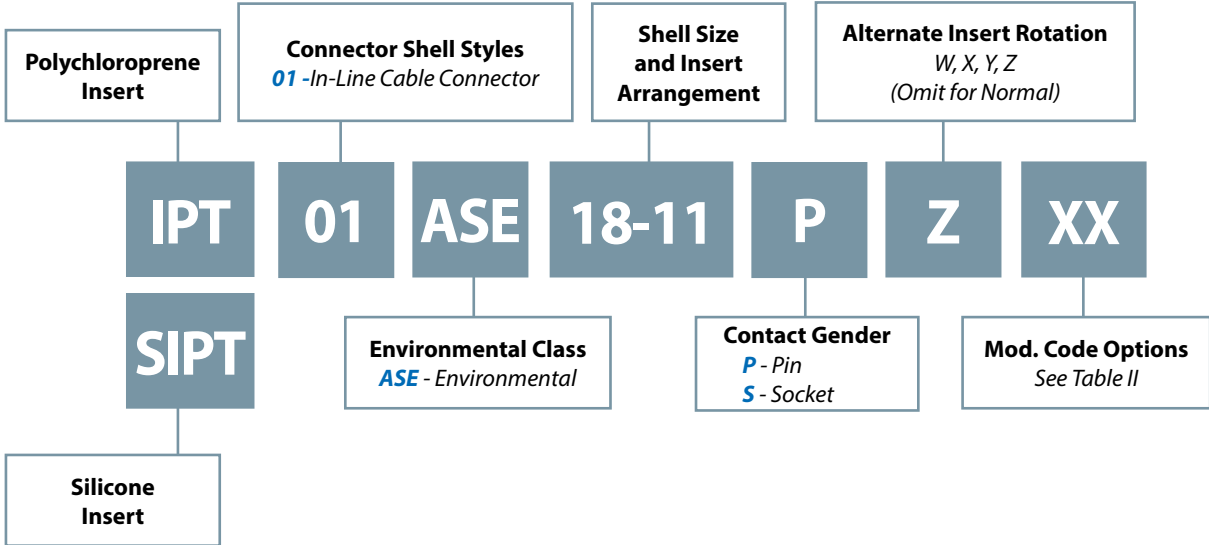
**B**

**TABLE II: MODIFICATION CODES**

| CONTACT OPTIONS  |  |
|--|--|
| Sym  | Description  |
| <b>B0</b>  | Connector Without Contacts<br>(Only for crimp version) |
| FINISH OPTIONS   |  |
| Sym  | Description and RoHS compliant                         |
| <b>F7</b>  | Black Zinc Nickel                                      |
| <b>F11</b>   | Electroless Nickel                                     |
| <b>MB</b>  | Marine Bronze  |
| <b>Omit for standard version<br/>(Cadmium Olive Drab Finish)</b> |  |



# IPT 01 ASE In-Line Cable Connector with Backshell



### Application Notes

1. In-Line cable connector, with backshell for the attachment of additional accessories.
2. Connector Class "ASE" (environmental).
3. Standard materials configuration consists of aluminum alloy with stainless steel coupling pins.
4. Standard contact material consists of copper alloy with gold plating over nickel.
5. A broad range of other front and rear connector accessories are available. See our website and/or contact factory for complete information.
6. Standard insert is high insulation synthetic rubber.



**IPT 01 ASE**  
**In-Line Cable Connector**  
**with Backshell**



**TABLE I: DIMENSIONS**

| Shell size | D<br>Max. | E<br>min. | F<br>Thread in inches | ØG<br>±0.2 | L<br>Max. |
|------------|-----------|-----------|-----------------------|------------|-----------|
| 8          | 15.00     | 7.55      | .5000 - 28 UNEF       | 17.3       | 45.9      |
| 10         | 18.20     | 10.70     | .6250 - 24 UNEF       | 21.8       | 45.9      |
| 12         | 21.20     | 13.85     | .7500 - 20 UNEF       | 25.1       | 45.9      |
| 14         | 24.60     | 16.85     | .8750 - 20 UNEF       | 28.6       | 45.9      |
| 16         | 27.60     | 20.00     | 1.0000 - 20 UNEF      | 30.6       | 45.9      |
| 18         | 30.90     | 22.30     | 1.1875 - 18 UNEF      | 33.2       | 45.9      |
| 20         | 33.80     | 25.75     | 1.1875 - 18 UNEF      | 36.5       | 50.0      |
| 22         | 37.10     | 28.80     | 1.4375 - 18 UNEF      | 39.6       | 50.0      |
| 24         | 40.25     | 32.00     | 1.4375 - 18 UNEF      | 43.1       | 50.0      |

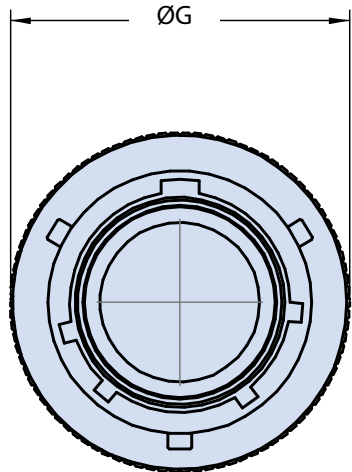
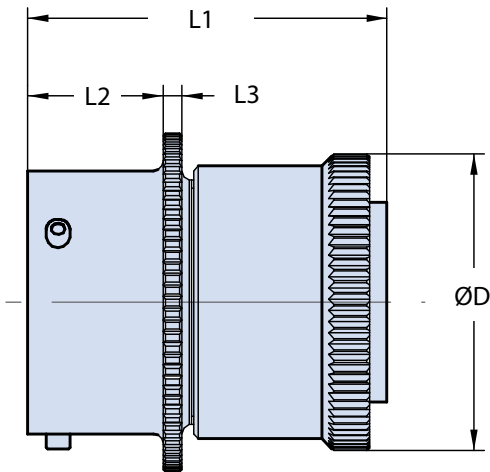
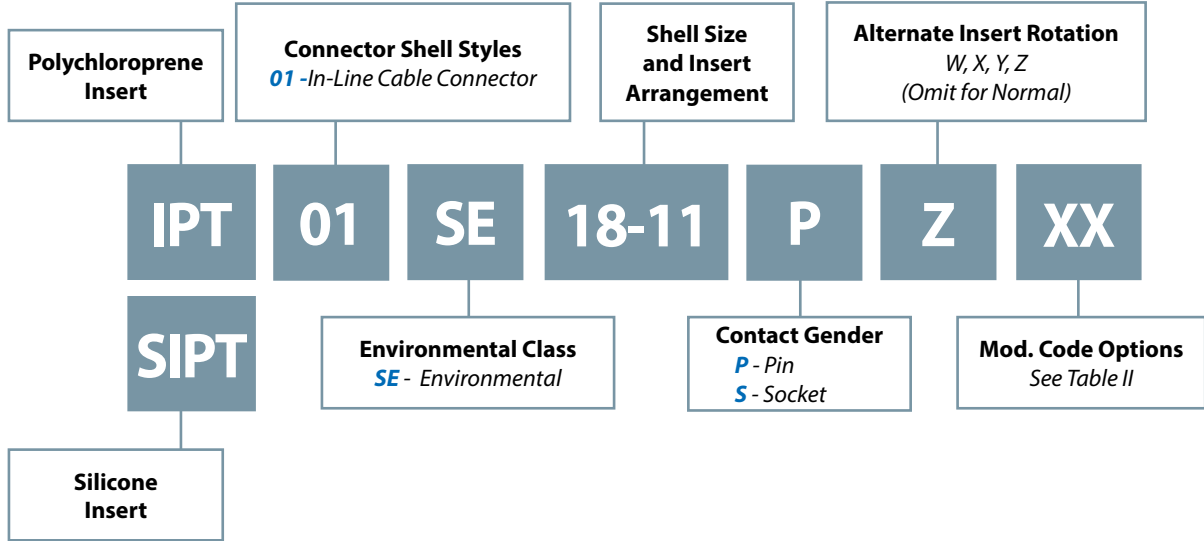
**B**

**TABLE II: MODIFICATION CODES**

| CONTACT OPTIONS  |  |
|--|--|
| Sym  | Description  |
| <b>B0</b>  | Connector Without Contacts<br>(Only for crimp version) |
| FINISH OPTIONS   |  |
| Sym  | Description and RoHS compliant                         |
| <b>F6</b>  | Black Electrodeposited Paint                           |
| <b>F7</b>  | Black Zinc Nickel                                      |
| <b>F11</b>   | Electroless Nickel                                     |
| <b>MB</b>  | Marine Bronze  |
| <b>Omit for standard version<br/>(Cadmium Olive Drab Finish)</b> |  |



# IPT 01 SE In-Line Cable Connector with General Duty Backshell



### Application Notes

1. In-Line cable connector includes sealing grommet and backshell for use with individual wires.
2. Connector Class "SE". Wire sealing grommet supplied.
3. Standard materials configuration consists of aluminum alloy with stainless steel coupling pins.
4. Standard contact material consists of copper alloy with gold plating over nickel.
5. A broad range of other front and rear connector accessories are available. See our website and/or contact factory for complete information.
6. Standard insert is high insulation synthetic rubber.

**IPT 01 SE**  
**In-Line Cable Connector**  
**with General Duty Backshell**



**TABLE I: DIMENSIONS**

| Shell size | ØD<br>Max. | ØG<br>±0.2 | L1<br>Max. | L2<br>+ 0.8<br>- 0 | L3<br>Max. |
|------------|------------|------------|------------|--------------------|------------|
| 8          | 15.44      | 17.3       | 33.5       | 10.94              | 2.0        |
| 10         | 18.64      | 21.8       | 33.5       | 10.94              | 2.0        |
| 12         | 21.79      | 25.1       | 33.5       | 10.94              | 2.0        |
| 14         | 25.00      | 28.6       | 33.5       | 10.94              | 2.0        |
| 16         | 28.19      | 30.6       | 33.5       | 10.94              | 2.0        |
| 18         | 31.34      | 33.2       | 33.5       | 10.94              | 2.0        |
| 20         | 34.54      | 36.5       | 34.7       | 14.12              | 2.8        |
| 22         | 37.69      | 39.6       | 36.0       | 14.12              | 2.8        |
| 24         | 40.89      | 43.1       | 36.0       | 14.96              | 2.8        |

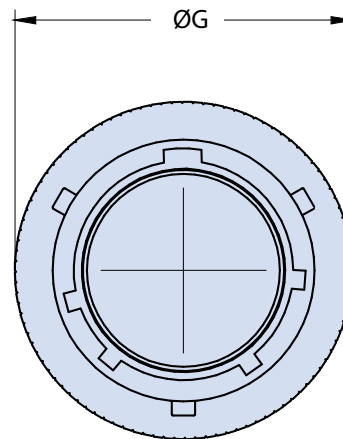
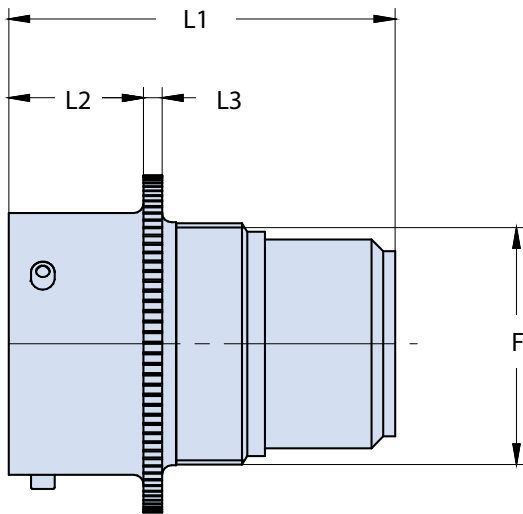
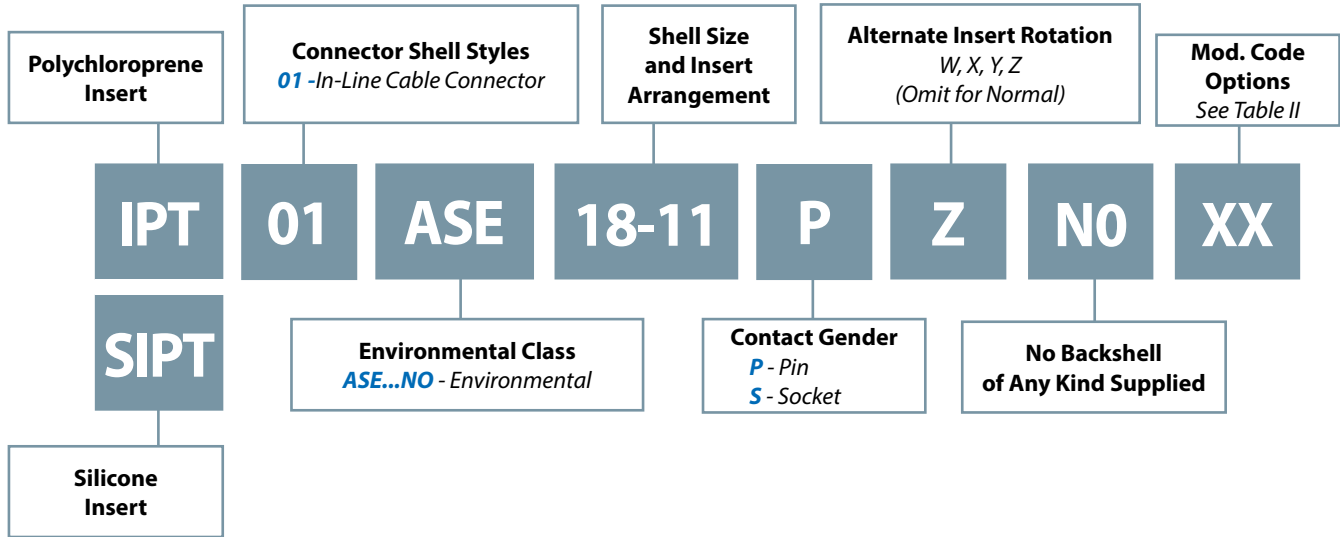
**B**

**TABLE II: MODIFICATION CODES**

| CONTACT OPTIONS  |  |
|--|--|
| Sym  | Description  |
| <b>B0</b>  | Connector Without Contacts<br>(Only for crimp version) |
| FINISH OPTIONS   |  |
| Sym  | Description and RoHS compliant                         |
| <b>F6</b>  | Black Electrodeposited Paint                           |
| <b>F7</b>  | Black Zinc Nickel                                      |
| <b>F11</b>   | Electroless Nickel                                     |
| <b>MB</b>  | Marine Bronze  |
| <b>Omit for standard version<br/>(Cadmium Olive Drab Finish)</b> |  |



# IPT 01 ASE...NO In-Line Cable Connector



### Application Notes

1. In-Line cable connector threaded in the rear body for the attachment of additional accessories.
2. Connector Class "ASE...NO" (environmental).
3. Standard materials configuration consists of aluminum alloy with stainless steel coupling pins.
4. Standard contact material consists of copper alloy with gold plating over nickel.
5. A broad range of other front and rear connector accessories are available. See our website and/or contact factory for complete information.
6. Standard insert is high insulation synthetic rubber.

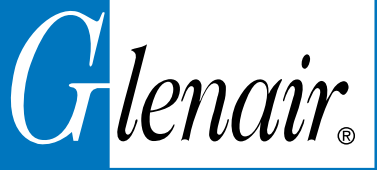
TABLE I: DIMENSIONS

| Shell size | ØG<br>±0.2 | F<br>Thread in inches | L1<br>Max. | L2<br>+ 0.8<br>- 0 | L3<br>Max. |
|------------|------------|-----------------------|------------|--------------------|------------|
| 8          | 17.3       | .4375 - 28 UNEF       | 33.5       | 10.94              | 2.0        |
| 10         | 21.8       | .5625 - 24 UNEF       | 33.5       | 10.94              | 2.0        |
| 12         | 25.1       | .6875 - 24 UNEF       | 33.5       | 10.94              | 2.0        |
| 14         | 28.6       | .8125 - 20 UNEF       | 33.5       | 10.94              | 2.0        |
| 16         | 30.6       | .9375 - 20 UNEF       | 33.5       | 10.94              | 2.0        |
| 18         | 33.2       | 1.0625 - 18 UNEF      | 33.5       | 10.94              | 2.0        |
| 20         | 36.5       | 1.1875 - 18 UNEF      | 34.7       | 14.12              | 2.8        |
| 22         | 39.6       | 1.3125 - 18 UNEF      | 36.0       | 14.12              | 2.8        |
| 24         | 43.1       | 1.4375 - 18 UNEF      | 36.0       | 14.96              | 2.8        |

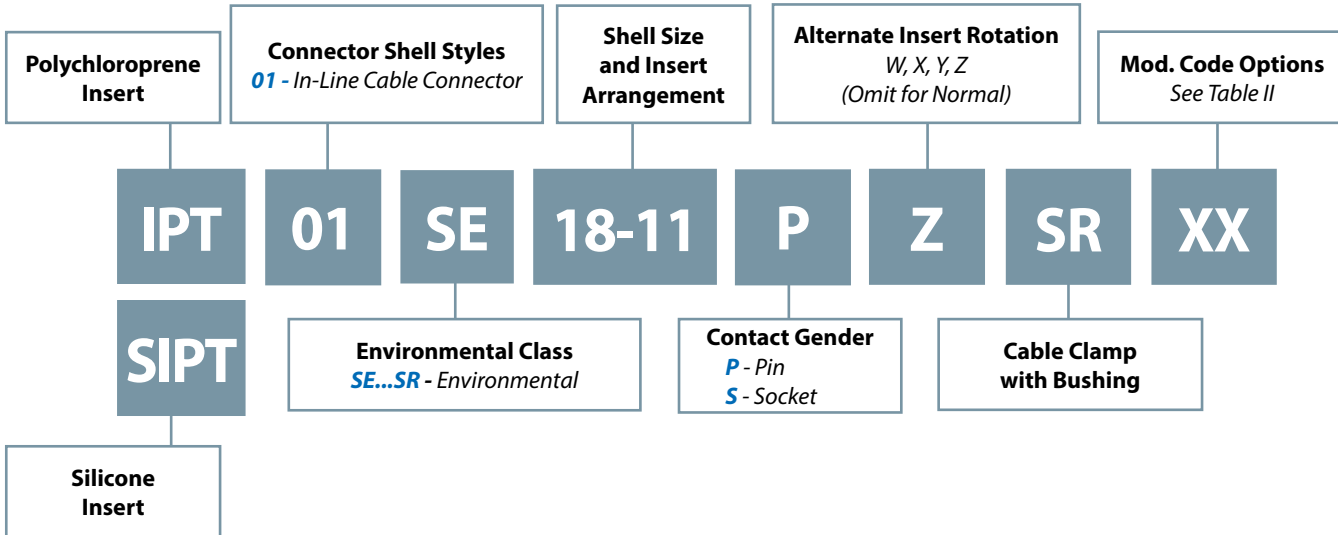
B

TABLE II: MODIFICATION CODES

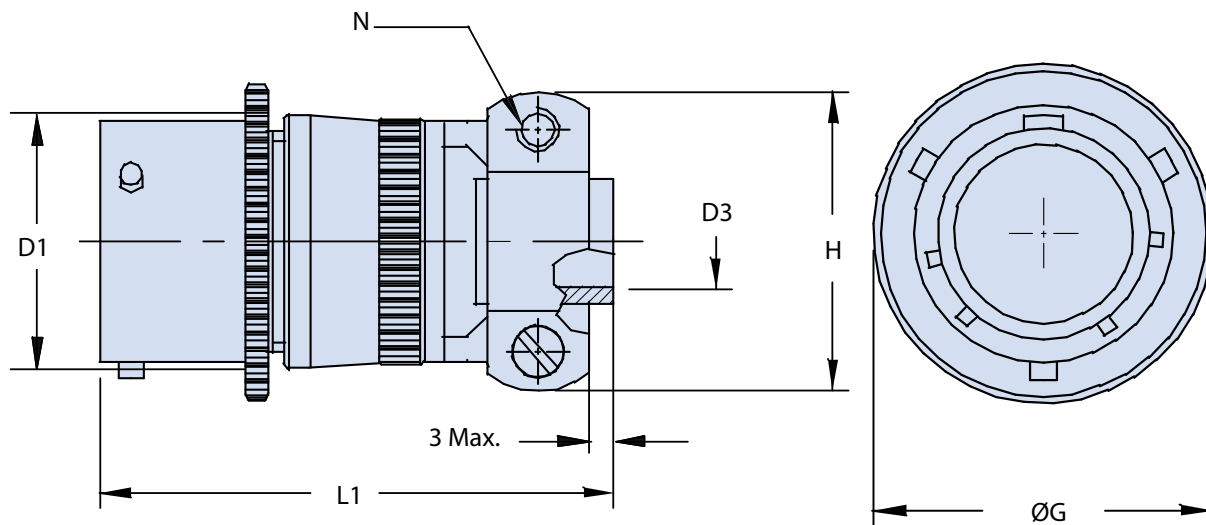
| CONTACT OPTIONS  |  |
|--|--|
| Sym  | Description  |
| <b>B0</b>  | Connector Without Contacts<br>(Only for crimp version) |
| FINISH OPTIONS   |  |
| Sym  | Description and RoHS compliant                         |
| <b>F6</b>  | Black Electrodeposited Paint                           |
| <b>F7</b>  | Black Zinc Nickel                                      |
| <b>F11</b>   | Electroless Nickel                                     |
| <b>MB</b>  | Marine Bronze  |
| <b>Omit for standard version<br/>(Cadmium Olive Drab Finish)</b> |  |



**IPT 01 SE...SR**  
In-Line Cable Connector  
with Backshell, Cable Clamp and Bushing



**B**



**Application Notes**

1. In-Line cable connector with sealing grommet, cable clamp and bushing for cable protection.
2. Connector Class "SE...SR" (environmental).
3. Standard materials configuration consists of aluminum alloy with stainless steel coupling pins.
4. Standard contact material consists of copper alloy with gold plating over nickel.
5. A broad range of other front and rear connector accessories are available. See our website and/or contact factory for complete information.
6. Standard insert is high insulation synthetic rubber.

**IPT 01 SE...SR**  
**In-Line Cable Connector**  
with Backshell, Cable Clamp and Bushing



**TABLE I: DIMENSIONS**

| Shell size | N Thread | D1 Max. | D3 + 0.3 -0.7 | L1 Max. | ØG ±0.2 | H ± 0.2 |
|------------|----------|---------|---------------|---------|---------|---------|
| 8          | 6-32 UNC | 15.44   | 3.2           | 49.5    | 17.3    | 19.10   |
| 10         | 6-32 UNC | 18.64   | 4.8           | 49.5    | 21.8    | 20.70   |
| 12         | 6-32 UNC | 21.79   | 7.9           | 49.5    | 25.1    | 23.90   |
| 14         | 6-32 UNC | 25.00   | 9.5           | 49.5    | 28.6    | 27.00   |
| 16         | 6-32 UNC | 28.19   | 12.7          | 53.0    | 30.6    | 28.60   |
| 18         | 8-32 UNC | 31.34   | 15.9          | 53.0    | 33.2    | 35.00   |
| 20         | 8-32 UNC | 34.54   | 15.9          | 60.5    | 36.5    | 35.00   |
| 22         | 8-32 UNC | 37.69   | 19.1          | 60.5    | 39.6    | 39.75   |
| 24         | 8-32 UNC | 40.89   | 20.3          | 63.0    | 43.1    | 42.10   |

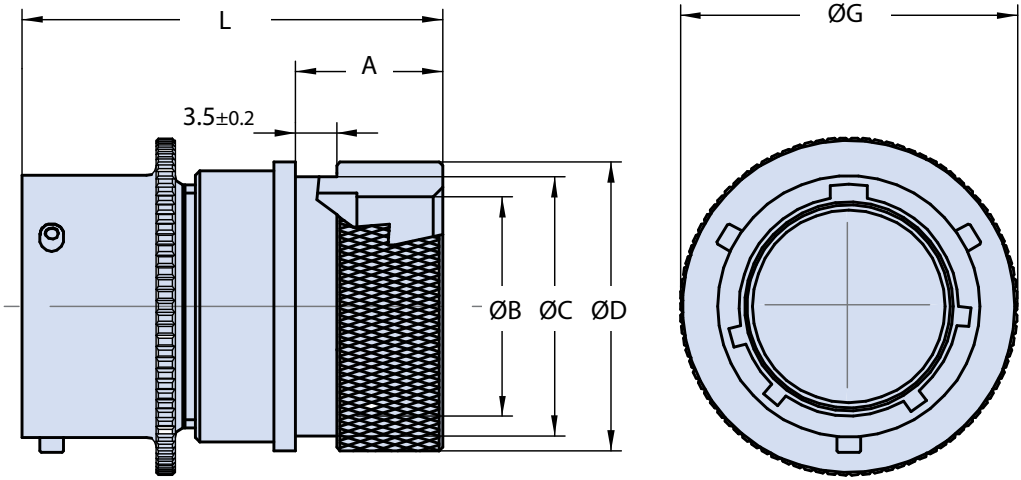
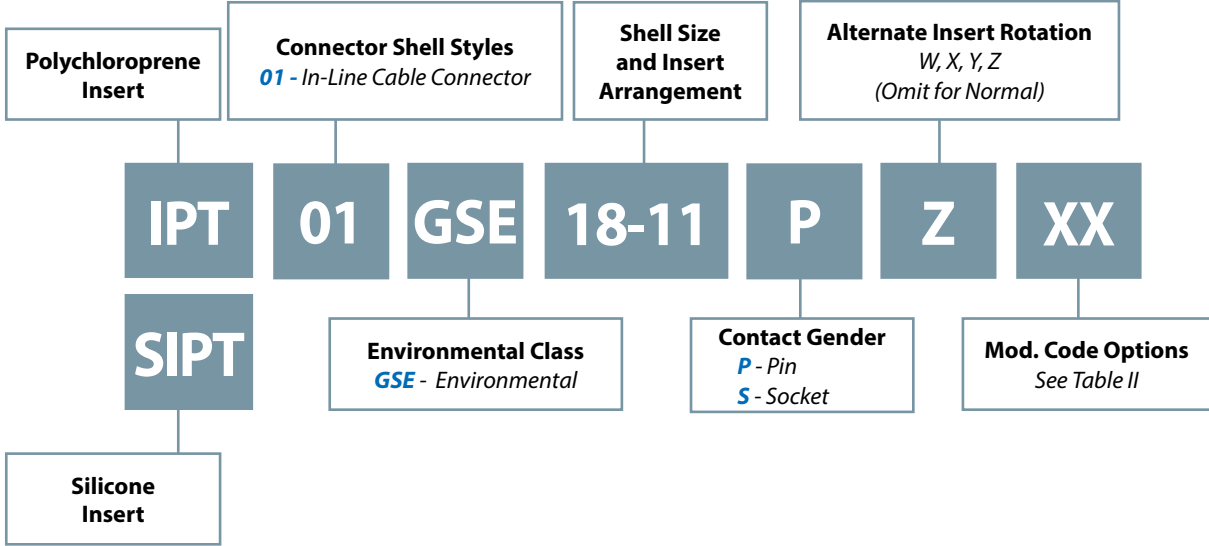
**B**

**TABLE II: MODIFICATION CODES**

| CONTACT OPTIONS  |  |
|--|--|
| Sym  | Description  |
| <b>B0</b>  | Connector Without Contacts<br>(Only for crimp version) |
| FINISH OPTIONS   |  |
| Sym  | Description and RoHS compliant                         |
| <b>F6</b>  | Black Electrodeposited Paint                           |
| <b>F7</b>  | Black Zinc Nickel                                      |
| <b>F11</b>   | Electroless Nickel                                     |
| <b>MB</b>  | Marine Bronze  |
| <b>Omit for standard version<br/>(Cadmium Olive Drab Finish)</b> |  |



# IPT 01 GSE In-Line Cable Connector with Shrink Boot Backshell



### Application Notes

1. In-Line cable connector with sealing grommet and backshell for heat shrink boot.
2. Connector/Backshell Class "GSE" (environmental).
3. Standard materials configuration consists of aluminum alloy with stainless steel coupling pins.
4. Standard contact material consists of copper alloy with gold plating over nickel.
5. A broad range of other front and rear connector accessories are available. See our website and/or contact factory for complete information.
6. Standard insert is high insulation synthetic rubber.



**IPT 01 GSE**  
**In-Line Cable Connector**  
with Shrink Boot Backshell



**TABLE I: DIMENSIONS**

| Shell size | A<br>±0.1 | ØB<br>+0.1<br>-0 | ØC<br>+0<br>-0.1 | ØD<br>+0<br>-0.3 | L<br>Max. | ØG<br>±0.2 |
|------------|-----------|------------------|------------------|------------------|-----------|------------|
| 8          | 12.2      | 8.20             | 13.0             | 15.5             | 43.5      | 17.3       |
| 10         | 12.2      | 11.40            | 15.8             | 18.3             | 42.0      | 21.8       |
| 12         | 12.2      | 14.55            | 21.0             | 23.6             | 42.0      | 25.1       |
| 14         | 12.2      | 17.50            | 21.8             | 24.4             | 42.0      | 28.6       |
| 16         | 14.5      | 20.60            | 25.9             | 29.7             | 44.0      | 30.6       |
| 18         | 14.5      | 23.15            | 28.2             | 31.9             | 44.5      | 33.2       |
| 20         | 15.8      | 26.50            | 32.2             | 36.0             | 48.5      | 36.5       |
| 22         | 15.8      | 29.60            | 34.5             | 38.4             | 48.5      | 39.6       |
| 24         | 14.9      | 32.80            | 37.6             | 41.5             | 48.5      | 43.1       |

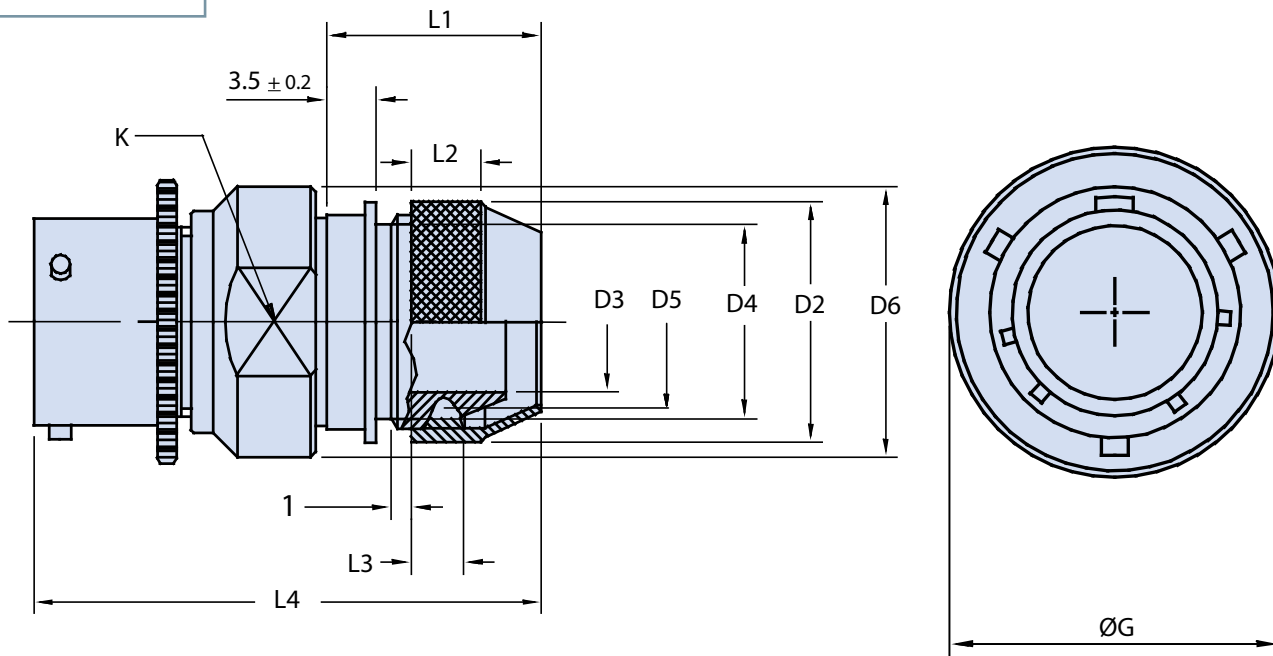
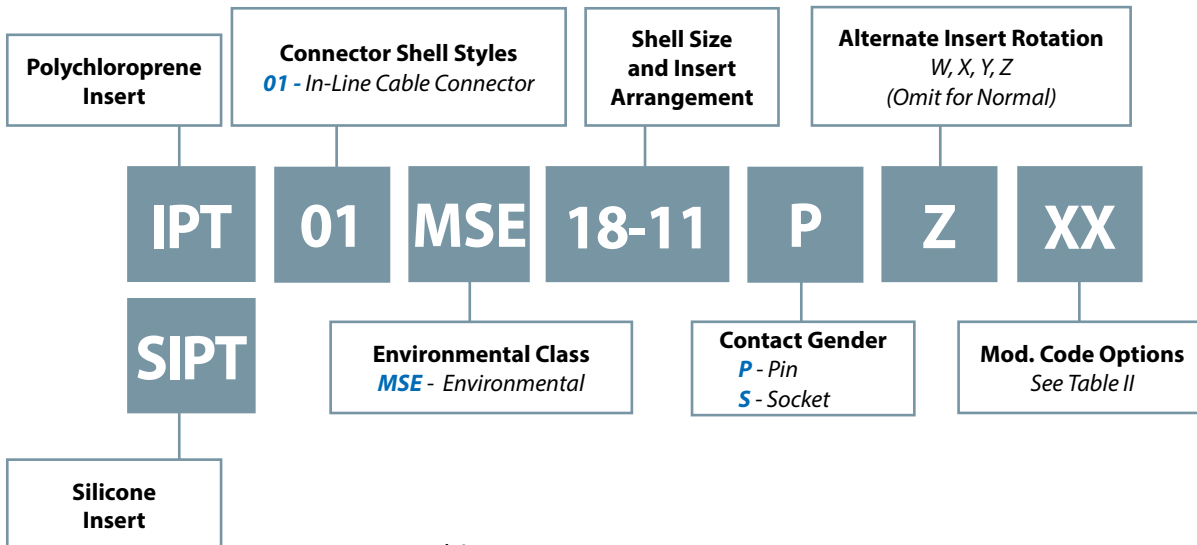
**B**

**TABLE II: MODIFICATION CODES**

| CONTACT OPTIONS  |  |
|--|--|
| Sym  | Description  |
| <b>B0</b>  | Connector Without Contacts<br>(Only for crimp version) |
| FINISH OPTIONS   |  |
| Sym  | Description and RoHS compliant                         |
| <b>F6</b>  | Black Electrodeposited Paint                           |
| <b>F7</b>  | Black Zinc Nickel                                      |
| <b>F11</b>   | Electroless Nickel                                     |
| <b>MB</b>  | Marine Bronze  |
| <b>Omit for standard version<br/>(Cadmium Olive Drab Finish)</b> |  |



## IPT 01 MSE In-Line Cable Connector with Backshell for EMI Shield Termination and Shrink Boot



### Application Notes

1. In-Line cable connector with sealing grommet and backshell for heat shrink boot.
2. Connector/Backshell Class "MSE" (environmental).
3. Standard materials configuration consists of aluminum alloy with stainless steel coupling pins.
4. Standard contact material consists of copper alloy with gold plating over nickel.
5. A broad range of other front and rear connector accessories are available. See our website and/or contact factory for complete information.
6. Standard insert is high insulation synthetic rubber.

**IPT 01 MSE**  
**In-Line Cable Connector**  
 with Backshell for  
 EMI Shield Termination and Shrink Boot



**TABLE I: DIMENSIONS**

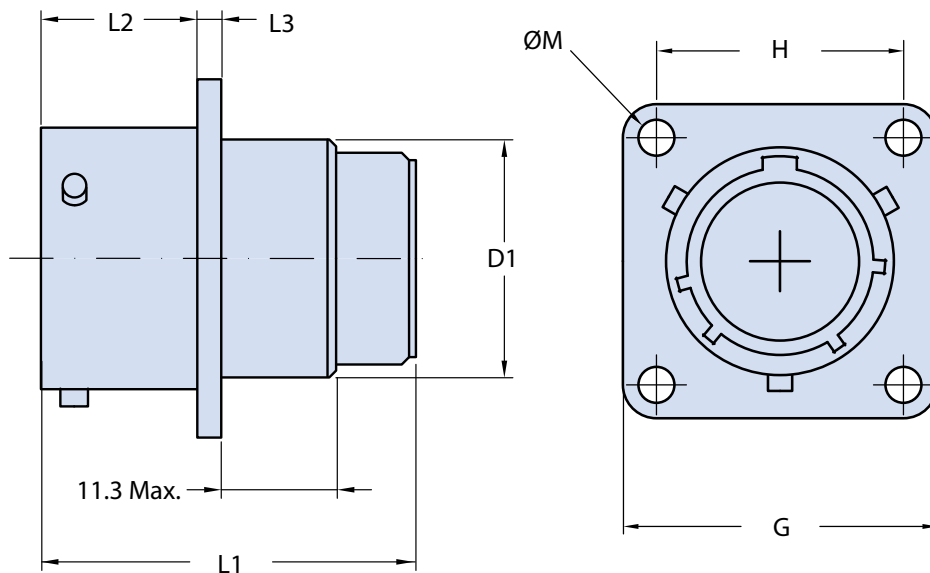
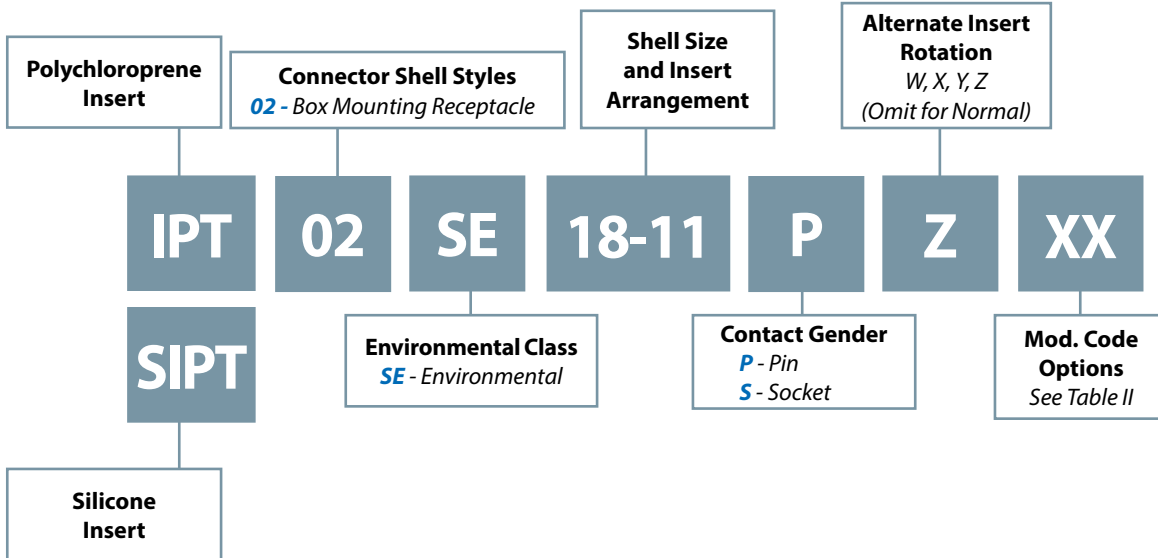
| Shell size | K Key | ØG<br>±0.2 | D2<br>+0.5<br>-0 | D3<br>min. | D4   | D5    | D6<br>Max. | L1<br>+0<br>-2.5 | L2<br>+1.5<br>-0 | L3<br>min. | L4<br>Max. |
|------------|-------|------------|------------------|------------|------|-------|------------|------------------|------------------|------------|------------|
| 8          | 18    | 17.3       | 16               | 6.6        | 13.5 | M14x1 | 20         | 17               | 5                | 4          | 55         |
| 10         | 21    | 21.8       | 18               | 9.2        | 16.0 | M16x1 | 23         | 17               | 5                | 4          | 55         |
| 12         | 24    | 25.1       | 22               | 12.2       | 20.0 | M20x1 | 27         | 17               | 7                | 5          | 55         |
| 14         | 28    | 28.6       | 25               | 15.2       | 22.0 | M23x1 | 30         | 18               | 8                | 6          | 56         |
| 16         | 31    | 30.6       | 28               | 18.3       | 26.0 | M26x1 | 33         | 18               | 8                | 6          | 56         |
| 18         | 34    | 33.2       | 32               | 20.0       | 28.2 | M30x1 | 36         | 18               | 10               | 6          | 56         |
| 20         | 37    | 36.5       | 34               | 23.0       | 30.5 | M32x1 | 40         | 18               | 10               | 6          | 62         |
| 22         | 41    | 39.6       | 38               | 26.0       | 34.5 | M36x1 | 43         | 18               | 10               | 6          | 62         |
| 24         | 44    | 43.1       | 41               | 28.8       | 37.2 | M39x1 | 46         | 18               | 10               | 6          | 64         |

**B**

**TABLE II: MODIFICATION CODES**

| CONTACT OPTIONS  |  |
|--|--|
| Sym  | Description  |
| <b>B0</b>  | Connector Without Contacts<br>(Only for crimp version) |
| FINISH OPTIONS   |  |
| Sym  | Description and RoHS compliant                         |
| <b>F7</b>  | Black Zinc Nickel                                      |
| <b>F11</b>   | Electroless Nickel                                     |
| <b>MB</b>  | Marine Bronze  |
| <b>Omit for standard version<br/>(Cadmium Olive Drab Finish)</b> |  |

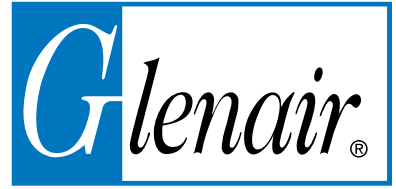
# IPT 02 SE Box Mounting Square Flange Receptacle



### Application Notes

1. Box mounting receptacle with through mounting holes; no rear accessory threads.
2. Connector Class "SE" (environmental).
3. Standard materials configuration consists of aluminum alloy with stainless steel coupling pins.
4. Standard contact material consists of copper alloy with gold plating over nickel.
5. Standard insert is high insulation synthetic rubber.

**IPT 02 SE**  
**Box Mounting Square Flange Receptacle**



**TABLE I: DIMENSIONS**

| Shell size | G<br>±0.4 | H<br>±0.1 | ØM<br>+0.1<br>0 | D1<br>+ 0.8<br>- 0.6 | L1<br>Max. | L2<br>+ 0.8<br>- 0 | L3<br>Max. |
|------------|-----------|-----------|-----------------|----------------------|------------|--------------------|------------|
| 8          | 20.6      | 15.10     | 3.04            | 11.2                 | 33.5       | 10.94              | 2.0        |
| 10         | 23.8      | 18.25     | 3.04            | 14.3                 | 33.5       | 10.94              | 2.0        |
| 12         | 26.2      | 20.60     | 3.04            | 17.5                 | 33.5       | 10.94              | 2.0        |
| 14         | 28.6      | 23.00     | 3.04            | 20.7                 | 33.5       | 10.94              | 2.0        |
| 16         | 31.0      | 24.60     | 3.04            | 23.9                 | 33.5       | 10.94              | 2.0        |
| 18         | 33.3      | 27.00     | 3.04            | 27.0                 | 33.5       | 10.94              | 2.0        |
| 20         | 36.5      | 29.40     | 3.04            | 30.2                 | 34.7       | 14.12              | 2.8        |
| 22         | 39.7      | 31.75     | 3.04            | 33.4                 | 36.0       | 14.12              | 2.8        |
| 24         | 42.8      | 34.92     | 3.73            | 36.6                 | 36.0       | 14.96              | 2.8        |

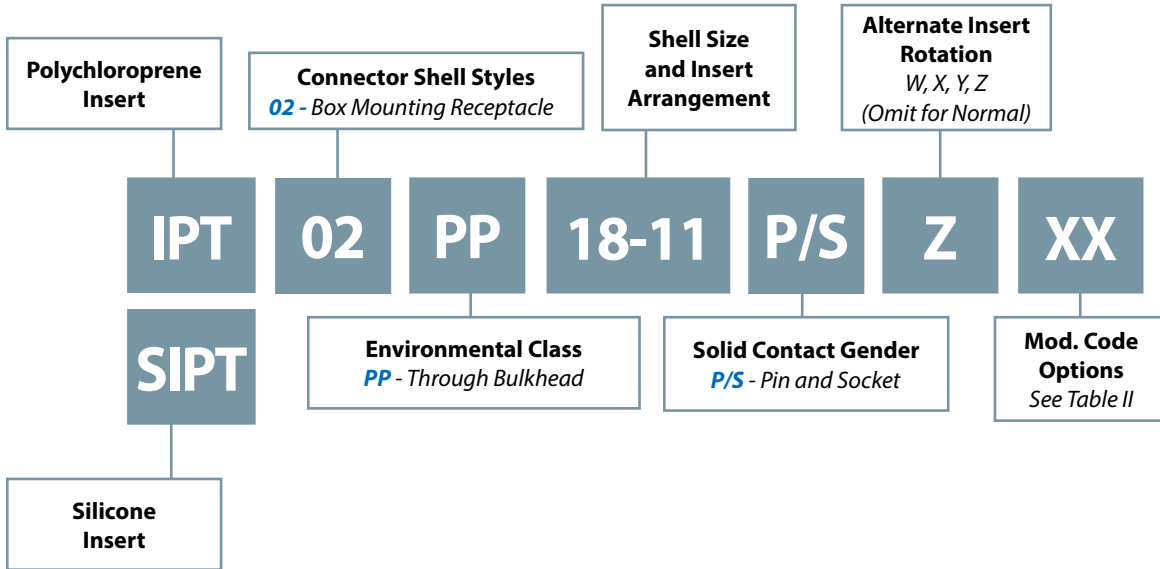
**B**

**TABLE II: MODIFICATION CODES**

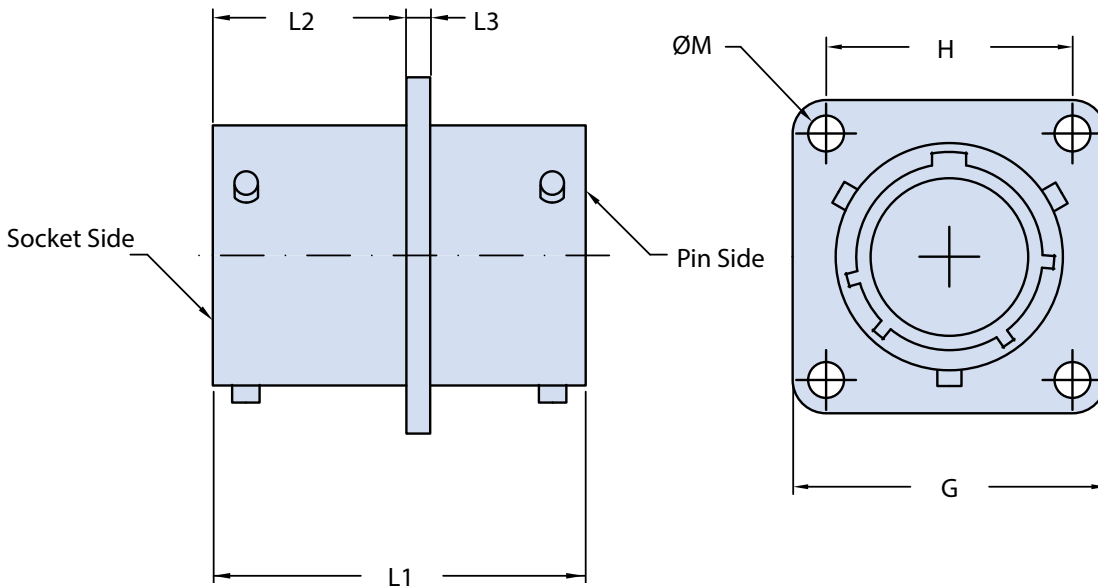
| CONTACT OPTIONS  |  |
|--|--|
| Sym  | Description  |
| <b>B0</b>  | Connector Without Contacts<br>(Only for crimp version) |
| FINISH OPTIONS   |  |
| Sym  | Description and RoHS compliant                         |
| <b>F6</b>  | Black Electrodeposited Paint                           |
| <b>F7</b>  | Black Zinc Nickel                                      |
| <b>F11</b>   | Electroless Nickel                                     |
| <b>MB</b>  | Marine Bronze  |
| <b>Omit for standard version<br/>(Cadmium Olive Drab Finish)</b> |  |



# IPT 02 PP Through Bulkhead Receptacle



**B**



### Application Notes

- 1 Through bulkhead receptacle with solid feedthrough contacts.
- 2 Through mounting holes.
- 3 Standard materials configuration consists of aluminum alloy with stainless steel coupling pins.
- 4 Standard contact material consists of copper alloy with gold plating over nickel.
- 5 Standard insert is high insulation synthetic rubber.

**IPT 02 PP**  
Through Bulkhead Receptacle



**TABLE I: DIMENSIONS**

| Shell size | G<br>±0.4 | H<br>±0.1 | ØM<br>+0.1<br>0 | L1<br>+0.5<br>0 | L2<br>+0.2<br>0 | L3<br>±0.2 |
|------------|-----------|-----------|-----------------|-----------------|-----------------|------------|
| 8          | 20.6      | 15.10     | 3.04            | 26.5            | 14.5            | 1.6        |
| 10         | 23.8      | 18.25     | 3.04            | 26.5            | 14.5            | 1.6        |
| 12         | 26.2      | 20.60     | 3.04            | 26.5            | 14.5            | 1.6        |
| 14         | 28.6      | 23.00     | 3.04            | 26.5            | 14.5            | 1.6        |
| 16         | 31.0      | 24.60     | 3.04            | 26.5            | 14.5            | 1.6        |
| 18         | 33.3      | 27.00     | 3.04            | 26.5            | 14.5            | 1.6        |
| 20         | 36.5      | 29.40     | 3.04            | 33.5            | 17.8            | 2.5        |
| 22         | 39.7      | 31.75     | 3.04            | 33.5            | 17.8            | 2.5        |
| 24         | 42.8      | 34.92     | 3.73            | 33.5            | 17.8            | 2.5        |

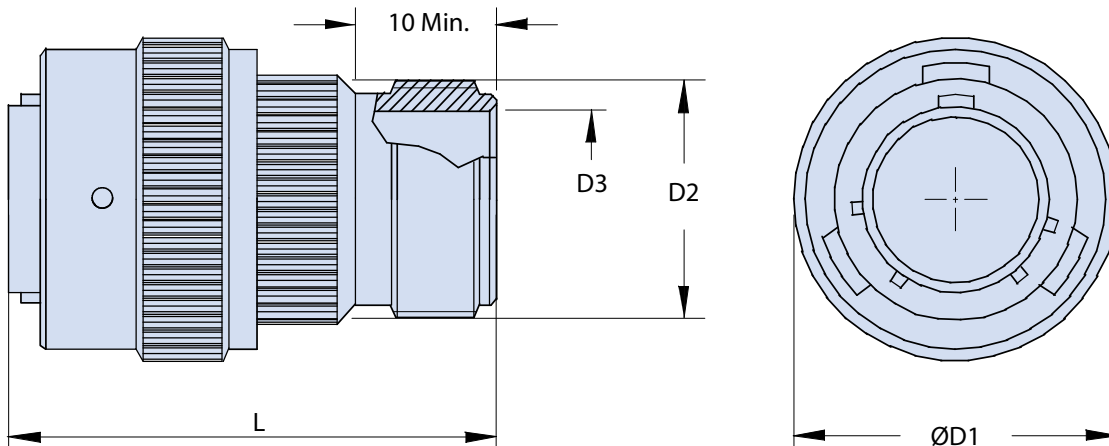
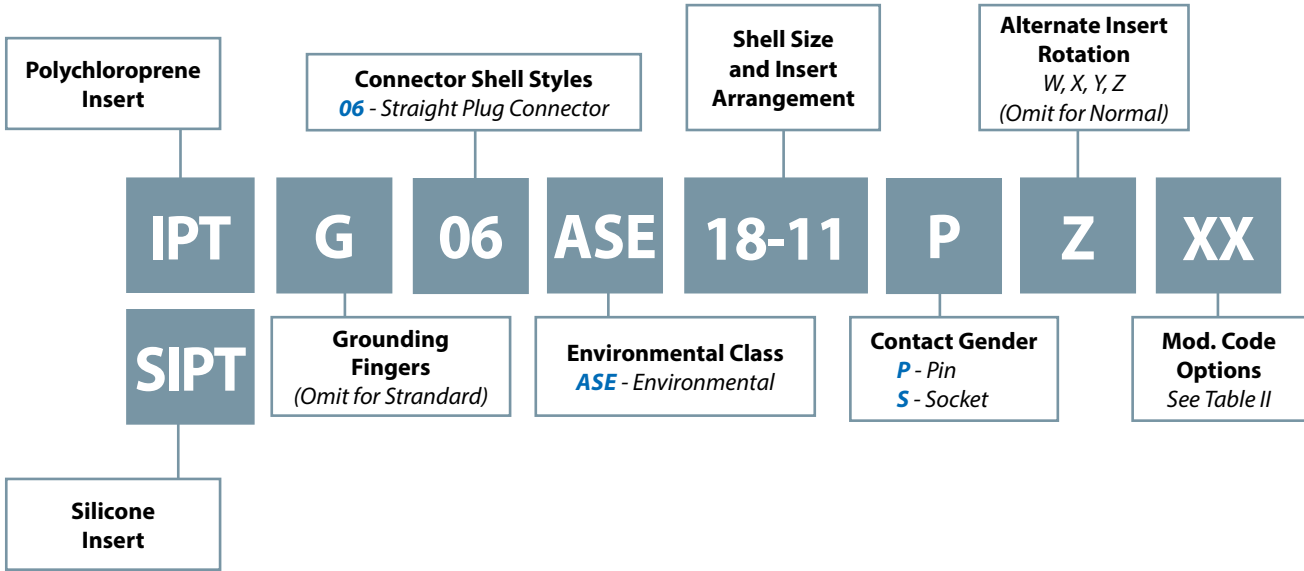
**B**

**TABLE II: MODIFICATION CODES**

| FINISH OPTIONS   |                                |
|--|--------------------------------|
| Sym  | Description and RoHS compliant |
| <b>F6</b>  | Black Electrodeposited Paint   |
| <b>F7</b>  | Black Zinc Nickel              |
| <b>F11</b>   | Electroless Nickel             |
| <b>MB</b>  | Marine Bronze                  |
| <b>Omit for standard version<br/>(Cadmium Olive Drab Finish)</b> |                                |



**IPT 06 ASE**  
**Straight Plug Connector**  
 with Backshell to Accommodate  
 MS3057 Cable Clamp (Not Included)

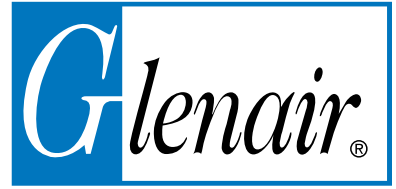


**Application Notes**

- 1 Straight plug connector with accessory threads.
- 2 Connector Class "ASE" (environmental).
- 3 Standard materials configuration consists of aluminum alloy.
- 4 Standard contact material consists of copper alloy with gold plating over nickel.
- 5 Standard insert is high insulation synthetic rubber.



**IPT 06 ASE**  
**Straight Plug Connector**  
 with Backshell to Accommodate  
 MS3057 Cable Clamp (Not Included)



**TABLE I: DIMENSIONS**

| Shell size | ØD1<br>±0.2 | D2              | D3<br>Min. | L<br>Max. |
|------------|-------------|-----------------|------------|-----------|
| 8          | 18.10       | 0.5000 - 28UNEF | 6.6        | 45.9      |
| 10         | 21.05       | 0.6250 - 24UNEF | 9.2        | 45.9      |
| 12         | 25.15       | 0.7500 - 20UNEF | 12.2       | 45.9      |
| 14         | 28.40       | 0.8750 - 20UNEF | 15.2       | 45.9      |
| 16         | 31.60       | 1.0000 - 20UNEF | 18.3       | 45.9      |
| 18         | 35.00       | 1.1875 - 18UNEF | 20.0       | 45.9      |
| 20         | 37.70       | 1.1875 - 18UNEF | 23.0       | 50.0      |
| 22         | 40.20       | 1.4375 - 18UNEF | 26.0       | 50.0      |
| 24         | 44.00       | 1.4375 - 18UNEF | 28.8       | 50.0      |

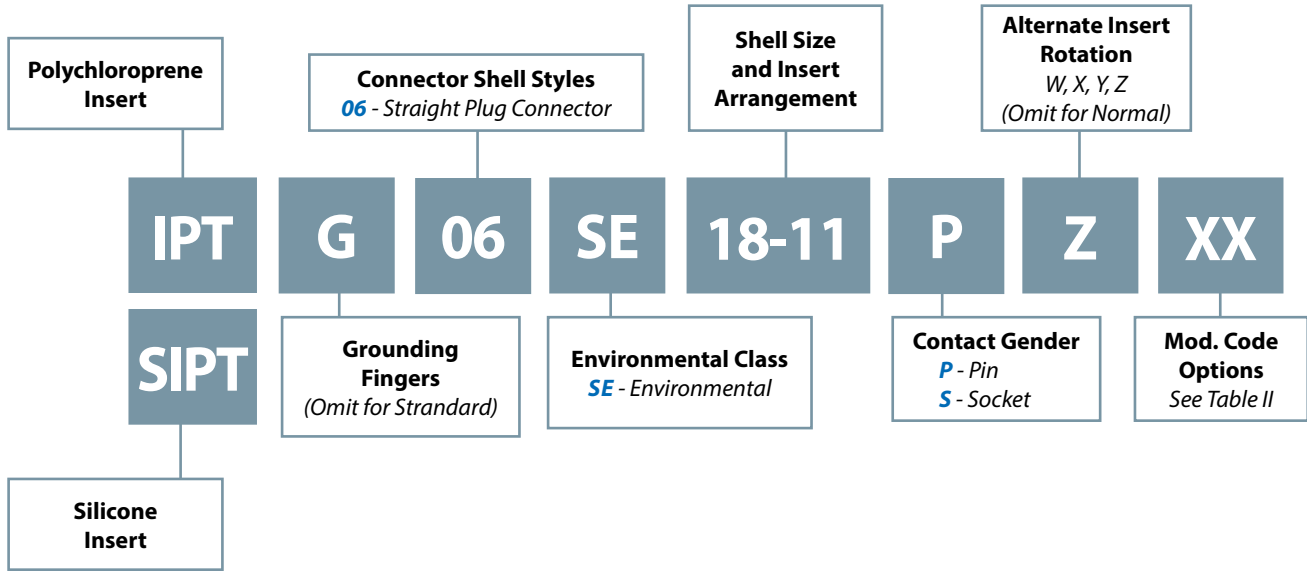
**B**

**TABLE II: MODIFICATION CODES**

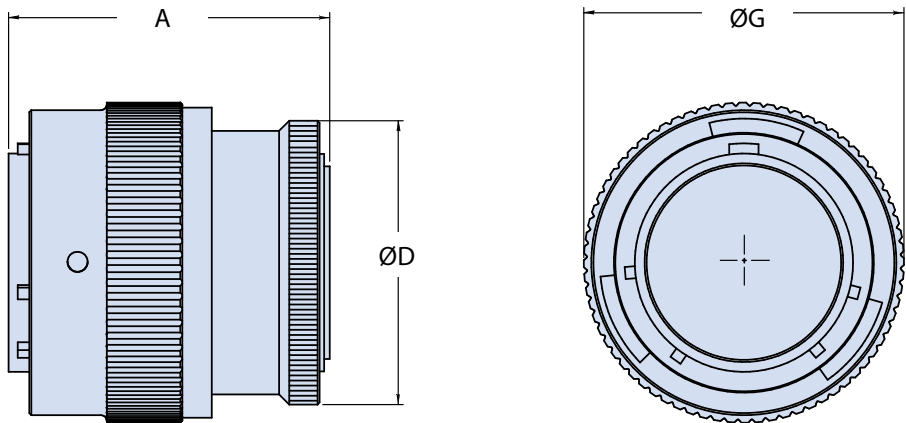
| CONTACT OPTIONS  |  |
|--|--|
| Sym  | Description  |
| <b>B0</b>  | Connector Without Contacts<br>(Only for crimp version) |
| FINISH OPTIONS   |  |
| Sym  | Description and RoHS compliant                         |
| <b>F6</b>  | Black Electrodeposited Paint                           |
| <b>F7</b>  | Black Zinc Nickel                                      |
| <b>F11</b>   | Electroless Nickel                                     |
| <b>MB</b>  | Marine Bronze  |
| <b>Omit for standard version<br/>(Cadmium Olive Drab Finish)</b> |  |



# IPT 06 SE Straight Plug Connector with General Duty Backshell



**B**



### Application Notes

1. Straight plug connector includes sealing grommet and backshell for use with individual wires.
2. Connector Class "SE"(environmental).
3. Standard materials configuration consists of aluminum alloy.
4. Standard contact material consists of copper alloy with gold plating over nickel.
5. A broad range of other front and rear connector accessories are available. See our website and/or contact factory for complete information.
6. Standard insert is high insulation synthetic rubber.

**IPT 06 SE**  
**Straight Plug Connector**  
**with General Duty Backshell**



**TABLE I: DIMENSIONS**

| Shell size | A<br>±0.5 | ØD<br>Max. | ØG<br>±0.2 |
|------------|-----------|------------|------------|
| 8          | 31.7      | 15.44      | 18.10      |
| 10         | 31.7      | 18.64      | 21.05      |
| 12         | 31.7      | 21.79      | 25.15      |
| 14         | 32.7      | 25.00      | 28.40      |
| 16         | 31.7      | 28.19      | 31.60      |
| 18         | 31.7      | 31.34      | 35.00      |
| 20         | 31.7      | 34.54      | 37.70      |
| 22         | 31.7      | 37.69      | 40.20      |
| 24         | 33.7      | 40.89      | 44.00      |

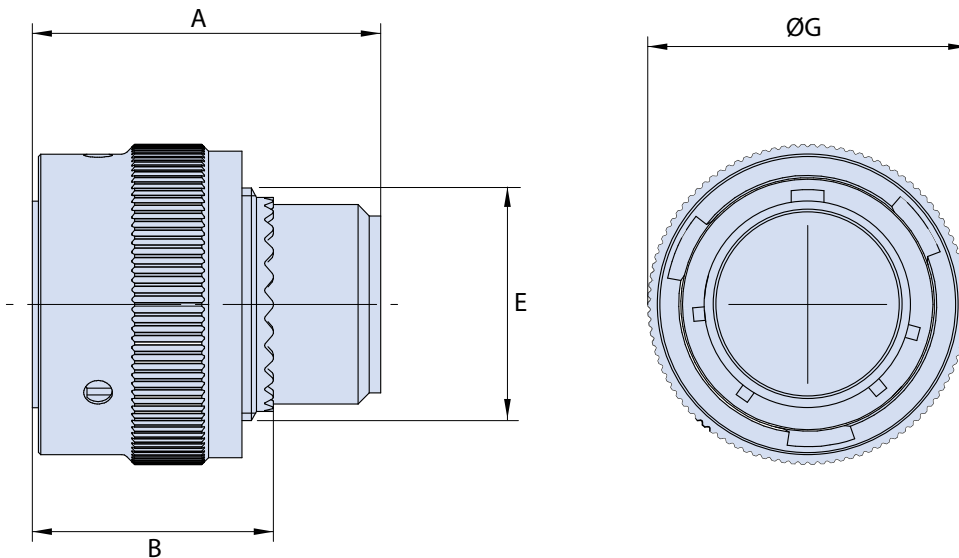
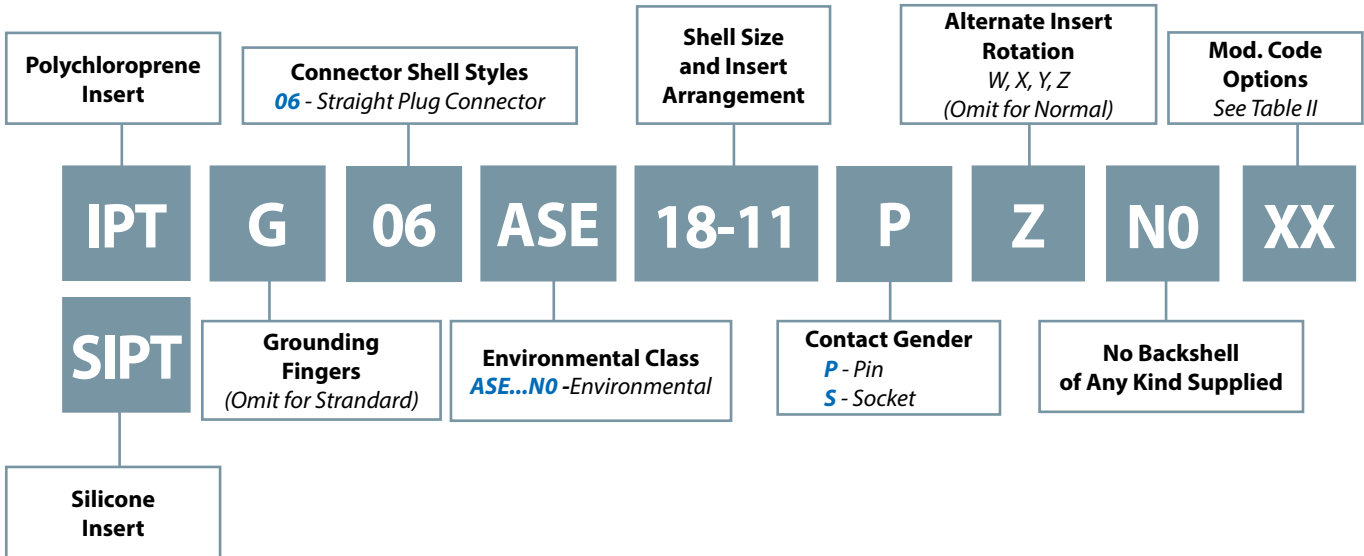
**B**

**TABLE II: MODIFICATION CODES**

| CONTACT OPTIONS  |  |
|--|--|
| Sym  | Description  |
| <b>B0</b>  | Connector Without Contacts<br>(Only for crimp version) |
| FINISH OPTIONS   |  |
| Sym  | Description and RoHS compliant                         |
| <b>F6</b>  | Black Electrodeposited Paint                           |
| <b>F7</b>  | Black Zinc Nickel                                      |
| <b>F11</b>   | Electroless Nickel                                     |
| <b>MB</b>  | Marine Bronze  |
| <b>Omit for standard version<br/>(Cadmium Olive Drab Finish)</b> |  |

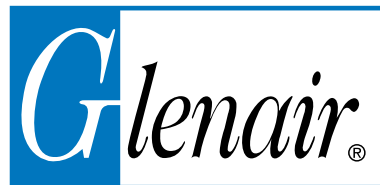


# IPT 06 ASE...NO Straight Plug Connector without Backshell



- Application Notes**
1. Straight plug connector without backshell.
  2. Connector Class "ASE...NO"(environmental)
  3. Standard materials configuration consists of aluminum alloy.
  4. Standard contact material consists of copper alloy with gold plating over nickel.
  5. A broad range of other front and rear connector accessories are available. See our website and/or contact factory for complete information.
  6. Standard insert is high insulation synthetic rubber.

**IPT 06 ASE...N0**  
**Straight Plug Connector**  
**without Backshell**



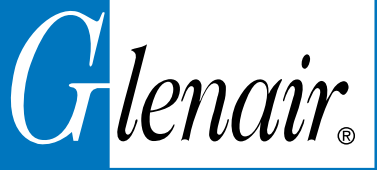
**TABLE I: DIMENSIONS**

| Shell size | A<br>±0.5 | ØG<br>±0.2 | B<br>±0.2 | E                  |
|------------|-----------|------------|-----------|--------------------|
| 8          | 31.7      | 18.10      | 21.4      | 7/16 - 28 UNEF     |
| 10         | 31.7      | 21.05      | 21.4      | 9/16 - 24 UNEF     |
| 12         | 31.7      | 25.15      | 21.4      | 11/16 - 24 UNEF    |
| 14         | 32.7      | 28.40      | 21.4      | 13/16 - 20 UNEF    |
| 16         | 31.7      | 31.60      | 21.4      | 15/16 - 20 UNEF    |
| 18         | 31.7      | 35.00      | 21.4      | 1 - 1/16 - 18 UNEF |
| 20         | 31.7      | 37.70      | 25.4      | 1 - 3/16 - 18 UNEF |
| 22         | 31.7      | 40.20      | 25.4      | 1 - 5/16 - 18 UNEF |
| 24         | 33.7      | 44.00      | 27.0      | 1 - 7/16 - 18 UNEF |

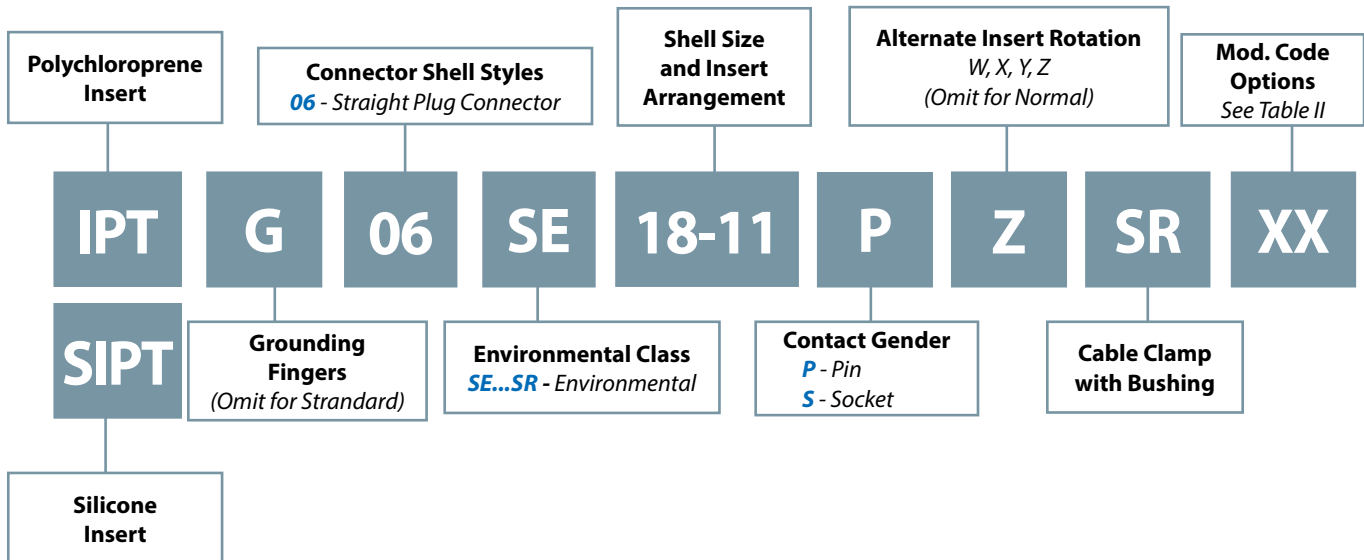


**TABLE II: MODIFICATION CODES**

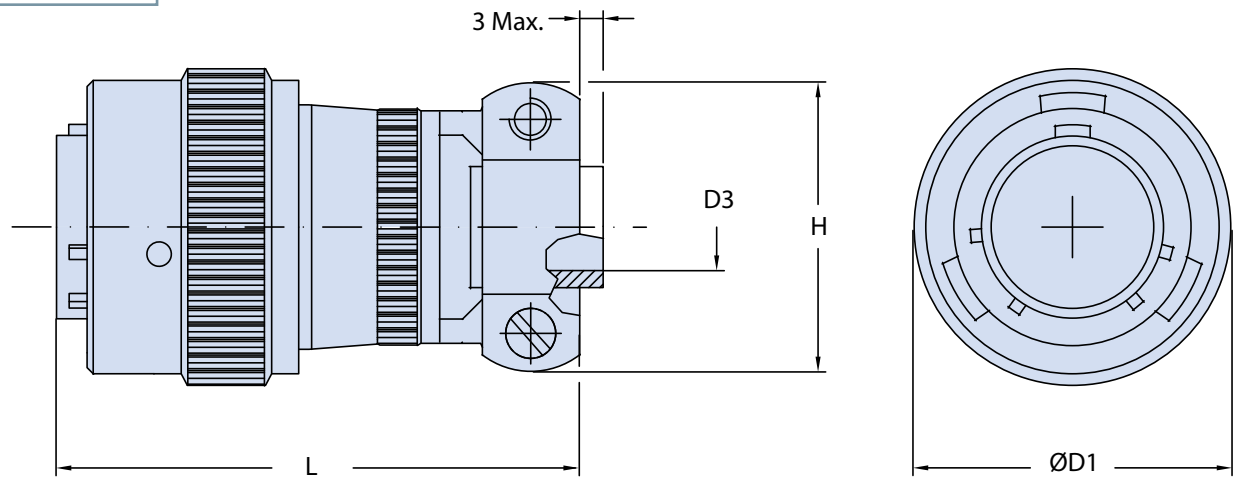
| CONTACT OPTIONS  |  |
|--|--|
| Sym  | Description  |
| <b>B0</b>  | Connector Without Contacts<br>(Only for crimp version) |
| FINISH OPTIONS   |  |
| Sym  | Description and RoHS compliant                         |
| <b>F6</b>  | Black Electrodeposited Paint                           |
| <b>F7</b>  | Black Zinc Nickel                                      |
| <b>F11</b>   | Electroless Nickel                                     |
| <b>MB</b>  | Marine Bronze  |
| <b>Omit for standard version<br/>(Cadmium Olive Drab Finish)</b> |  |



## IPT 06 SE...SR Straight Plug Connector with Backshell, Cable Clamp and Bushing



**B**



### Application Notes

1. Straight plug with cable clamp and bushing for cable protection.
2. Connector Class "SE...SR" (environmental).
3. Standard materials configuration consists of aluminum alloy.
4. Standard contact material consists of copper alloy with gold plating over nickel.
5. A broad range of other front and rear connector accessories are available. See our website and/or contact factory for complete information.
6. Standard insert is high insulation synthetic rubber.

**IPT 06 SE...SR**  
**Straight Plug Connector**  
with Backshell, Cable Clamp and Bushing



**TABLE I: DIMENSIONS**

| Shell size | ØD1<br>±0.2 | D3<br>+ 0.3<br>- 0.7 | H<br>± 0.2 | L<br>Max. |
|------------|-------------|----------------------|------------|-----------|
| 8          | 18.10       | 3.2                  | 19.10      | 49.5      |
| 10         | 21.05       | 4.8                  | 20.70      | 49.5      |
| 12         | 25.15       | 7.9                  | 23.90      | 49.5      |
| 14         | 28.40       | 9.5                  | 27.00      | 49.5      |
| 16         | 31.60       | 12.7                 | 28.60      | 53.0      |
| 18         | 35.00       | 15.9                 | 35.00      | 53.0      |
| 20         | 37.70       | 15.9                 | 35.00      | 59.0      |
| 22         | 40.20       | 19.1                 | 39.75      | 59.0      |
| 24         | 44.00       | 20.3                 | 42.10      | 61.0      |

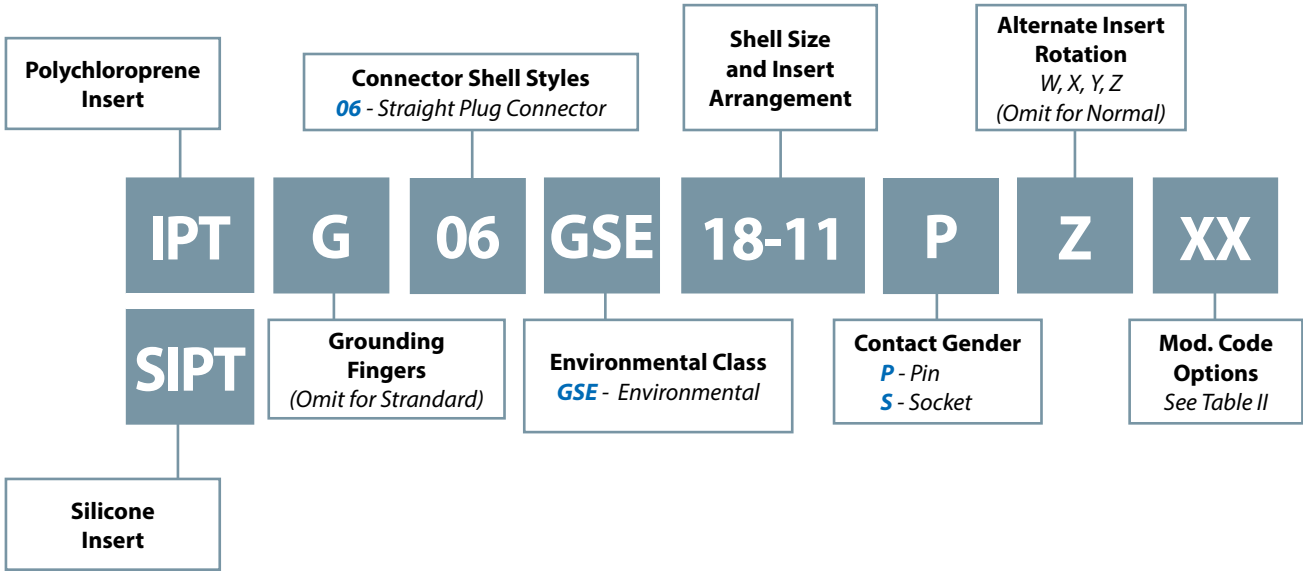


**TABLE II: MODIFICATION CODES**

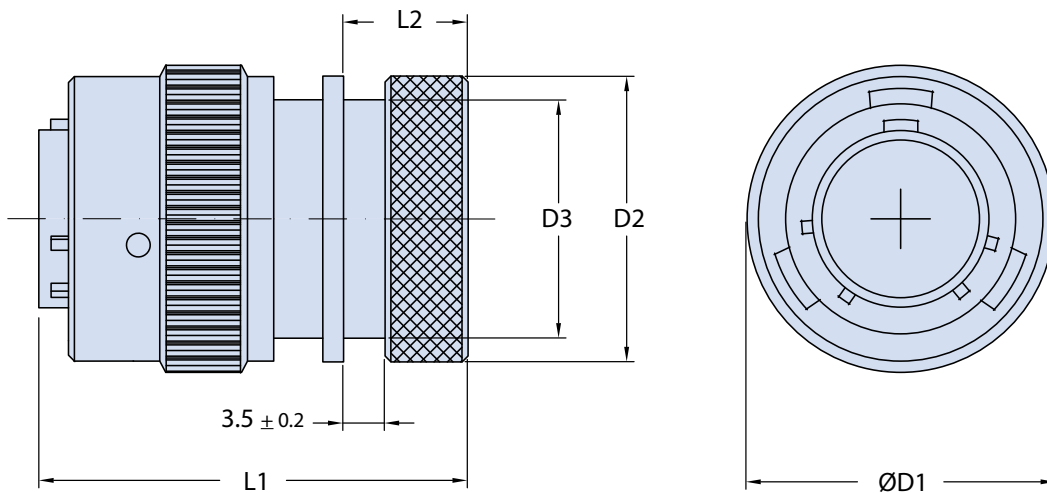
| CONTACT OPTIONS  |  |
|--|--|
| Sym  | Description  |
| <b>B0</b>  | Connector Without Contacts<br>(Only for crimp version) |
| FINISH OPTIONS   |  |
| Sym  | Description and RoHS compliant                         |
| <b>F6</b>  | Black Electrodeposited Paint                           |
| <b>F7</b>  | Black Zinc Nickel                                      |
| <b>F11</b>   | Electroless Nickel                                     |
| <b>MB</b>  | Marine Bronze  |
| <b>Omit for standard version<br/>(Cadmium Olive Drab Finish)</b> |  |



# IPT 06 GSE Straight Plug Connector with Shrink Boot Backshell



**B**



### Application Notes

1. Straight plug connector with shrink boot backshell.
2. Connector Class "GSE" (environmental).
3. Standard materials configuration consists of aluminum alloy.
4. Standard contact material consists of copper alloy with gold plating over nickel.
5. A broad range of other front and rear connector accessories are available. See our website and/or contact factory for complete information.
6. Standard insert is high insulation synthetic rubber.



**IPT 06 GSE**  
**Straight Plug Connector**  
with Shrink Boot Backshell



**TABLE I: DIMENSIONS**

| Shell size | ØD1<br>±0.2 | D2<br>+ 0<br>- 0.5 | D3<br>+ 0<br>- 0.5 | L1<br>Max. | L2<br>± 0.5 |
|------------|-------------|--------------------|--------------------|------------|-------------|
| 8          | 18.10       | 15.6               | 13.3               | 43.5       | 12.2        |
| 10         | 21.05       | 18.4               | 16.1               | 42.0       | 12.2        |
| 12         | 25.15       | 23.7               | 21.4               | 42.0       | 12.2        |
| 14         | 28.40       | 24.5               | 22.2               | 42.0       | 12.2        |
| 16         | 31.60       | 29.8               | 26.2               | 44.0       | 14.5        |
| 18         | 35.00       | 32.0               | 28.5               | 44.5       | 14.5        |
| 20         | 37.70       | 36.1               | 32.5               | 47.0       | 15.8        |
| 22         | 40.20       | 38.5               | 34.8               | 47.0       | 15.8        |
| 24         | 44.00       | 41.6               | 37.9               | 47.0       | 14.9        |

**B**

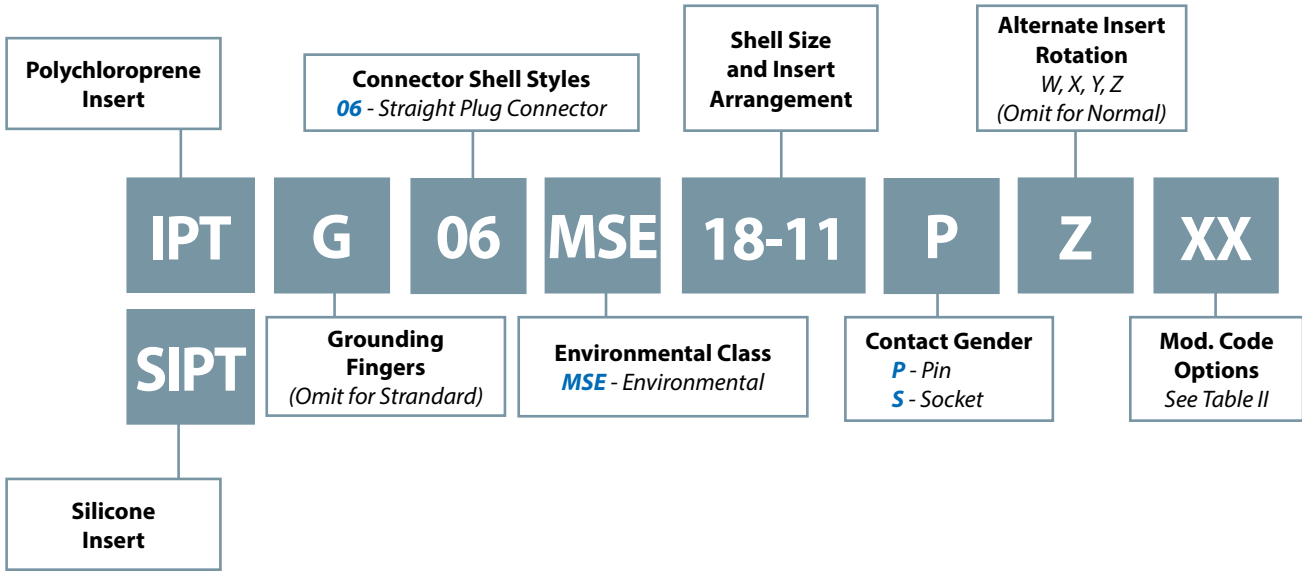
**TABLE II: MODIFICATION CODES**

| CONTACT OPTIONS  |  |
|--|--|
| Sym  | Description  |
| <b>B0</b>  | Connector Without Contacts<br>(Only for crimp version) |
| FINISH OPTIONS   |  |
| Sym  | Description and RoHS compliant                         |
| <b>F6</b>  | Black Electrodeposited Paint                           |
| <b>F7</b>  | Black Zinc Nickel                                      |
| <b>F11</b>   | Electroless Nickel                                     |
| <b>MB</b>  | Marine Bronze  |
| <b>Omit for standard version<br/>(Cadmium Olive Drab Finish)</b> |  |

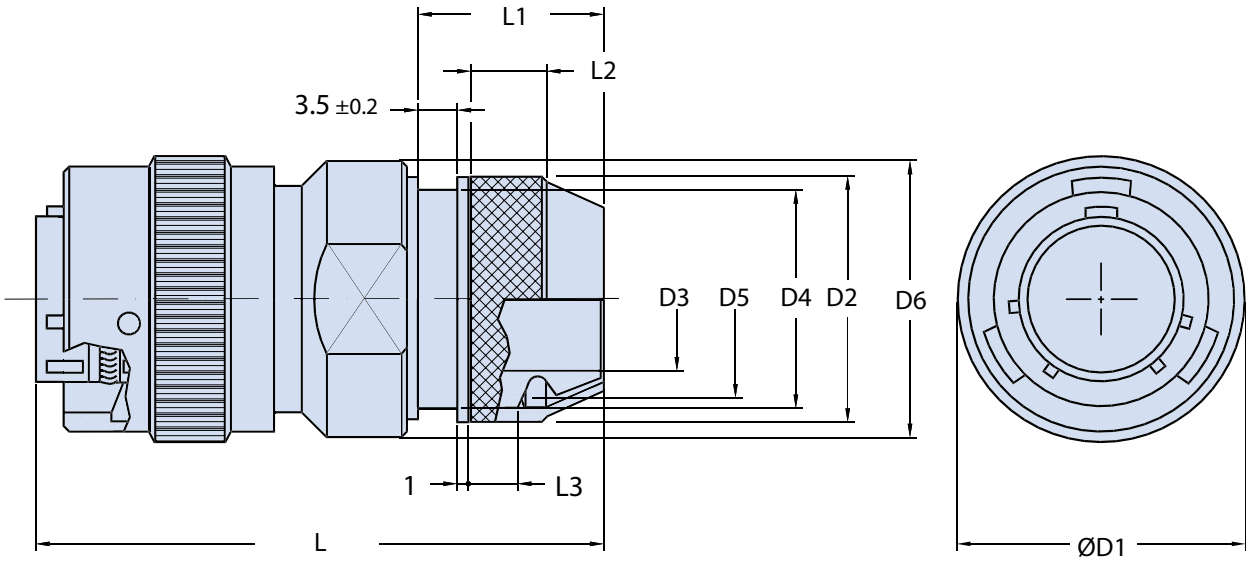


# IPT 06 MSE

## Straight Plug Connector with Backshell Suitable for EMI Shield Termination and Heat Shrink Boot



**B**



### Application Notes

1. Straight plug connector with shrink boot backshell.
2. Connector Class "MSE" (environmental).
3. Standard materials configuration consists of aluminum alloy.
4. Standard contact material consists of copper alloy with gold plating over nickel.
5. A broad range of other front and rear connector accessories are available. See our website and/or contact factory for complete information.
6. Standard insert is high insulation synthetic rubber.

**IPT 06 MSE**  
**Straight Plug Connector**  
 with Backshell Suitable for  
 EMI Shield Termination and Heat Shrink Boot



**TABLE I: DIMENSIONS**

| Shell size | ØD1<br>±0.2 | D2<br>+ 0.5<br>- 0 | D3<br>Min. | D4   | D5      | D6<br>Max. | L  | L1<br>+ 0<br>- 2.5 | L2<br>+1.5<br>- 0 | L3<br>Min. |
|------------|-------------|--------------------|------------|------|---------|------------|----|--------------------|-------------------|------------|
| 8          | 18.10       | 16                 | 6.6        | 13.5 | M14 x 1 | 20         | 55 | 17                 | 5                 | 4          |
| 10         | 21.05       | 18                 | 9.2        | 16.0 | M16 x 1 | 23         | 55 | 17                 | 5                 | 4          |
| 12         | 25.15       | 22                 | 12.2       | 20.0 | M20 x 1 | 27         | 55 | 17                 | 7                 | 5          |
| 14         | 28.40       | 25                 | 15.2       | 22.0 | M23 x 1 | 30         | 56 | 18                 | 8                 | 6          |
| 16         | 31.60       | 28                 | 18.3       | 26.0 | M26 x 1 | 33         | 56 | 18                 | 8                 | 6          |
| 18         | 35.00       | 32                 | 20.0       | 28.2 | M30 x 1 | 36         | 56 | 18                 | 10                | 6          |
| 20         | 37.70       | 34                 | 23.0       | 30.5 | M32 x 1 | 40         | 60 | 18                 | 10                | 6          |
| 22         | 40.20       | 38                 | 26.0       | 34.5 | M36 x 1 | 43         | 60 | 18                 | 10                | 6          |
| 24         | 44.00       | 41                 | 28.8       | 37.2 | M39 x 1 | 46         | 62 | 18                 | 10                | 6          |

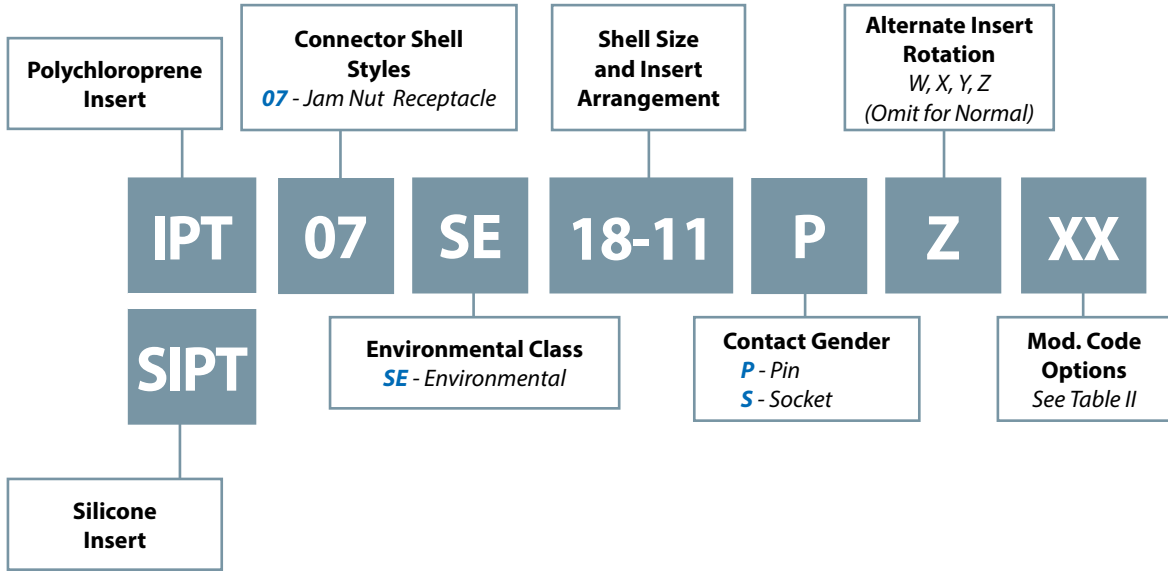
**B**

**TABLE II: MODIFICATION CODES**

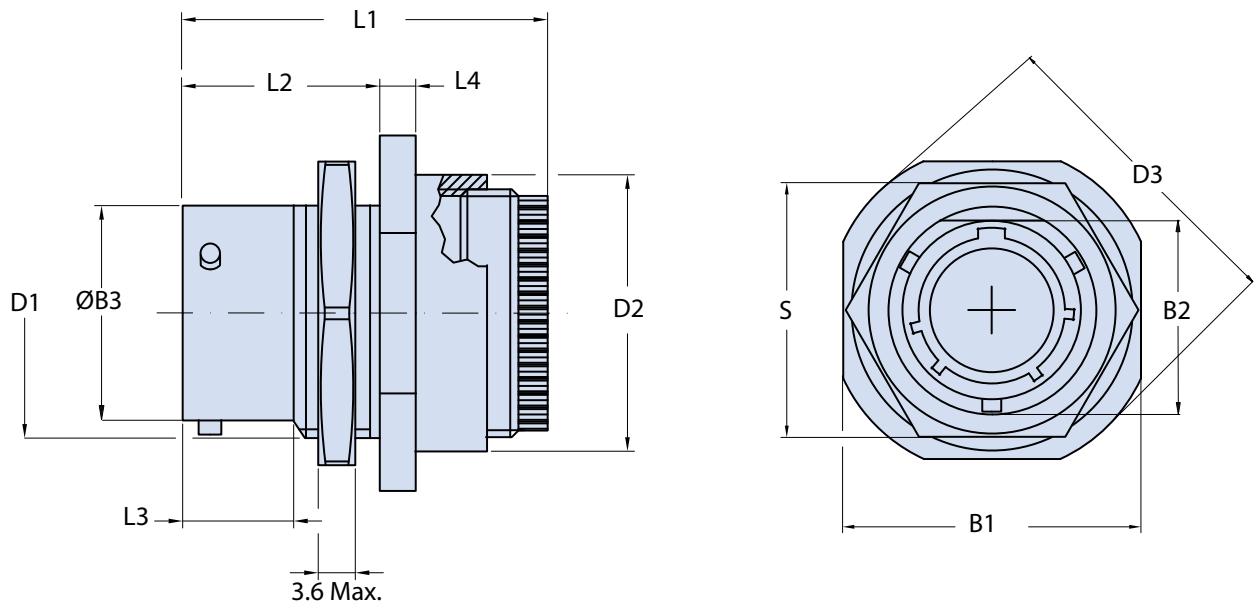
| CONTACT OPTIONS  |  |
|--|--|
| Sym  | Description  |
| <b>B0</b>  | Connector Without Contacts<br>(Only for crimp version) |
| FINISH OPTIONS   |  |
| Sym  | Description and RoHS compliant                         |
| <b>F7</b>  | Black Zinc Nickel                                      |
| <b>F11</b>   | Electroless Nickel                                     |
| <b>MB</b>  | Marine Bronze  |
| <b>Omit for standard version<br/>(Cadmium Olive Drab Finish)</b> |  |



# IPT 07 SE Jam Nut Receptacle with General Duty Backshell



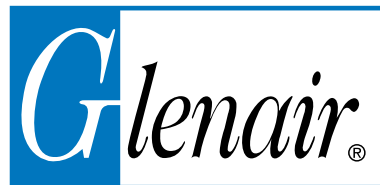
**B**



### Application Notes

- 1 Jam nut receptacle includes sealing grommet and backshell for use with individual wires.
- 2 Connector Class "SE" (environmental). Wire sealing grommet supplied.
- 3 Standard materials configuration consists of aluminum alloy with stainless steel coupling pins.
- 4 Standard contact material consists of copper alloy with gold plating over nickel.
5. A broad range of other front and rear connector accessories are available. See our website and/or contact factory for complete information.
6. Standard insert is high insulation synthetic rubber.

**IPT 07 SE**  
**Jam Nut Receptacle**  
**with General Duty Backshell**



**TABLE I: DIMENSIONS**

| Shell size | B1 Max. | B2 +0 -0.25 | ØB3 +0 -0.1 | D1               | D2 Min. | D3 +0 -0.8 | L1 Max. | L2 +0.8 -0 | L3 Min. | L4 ± 0.5 | S ± 0.43 |
|------------|---------|-------------|-------------|------------------|---------|------------|---------|------------|---------|----------|----------|
| 8          | 24.3    | 13.46       | 12.00       | 0.5625 - 24 UNEF | 19.0    | 27.3       | 39.3    | 17.5       | 9.75    | 3.0      | 19.05    |
| 10         | 27.4    | 16.64       | 14.98       | 0.6875 - 24 UNEF | 22.2    | 30.5       | 39.3    | 17.5       | 9.75    | 3.0      | 22.23    |
| 12         | 32.2    | 20.78       | 19.05       | 0.8750 - 20 UNEF | 25.4    | 35.3       | 39.3    | 17.5       | 9.75    | 3.0      | 26.97    |
| 14         | 35.4    | 23.93       | 22.22       | 1.0000 - 20 UNEF | 28.5    | 38.5       | 39.3    | 17.5       | 9.75    | 3.0      | 30.18    |
| 16         | 38.6    | 27.08       | 25.40       | 1.1250 - 18 UNEF | 31.7    | 41.6       | 39.3    | 17.5       | 9.75    | 3.0      | 33.32    |
| 18         | 41.7    | 30.25       | 28.57       | 1.2500 - 18 UNEF | 34.9    | 44.8       | 39.3    | 17.5       | 9.75    | 3.0      | 36.53    |
| 20         | 46.5    | 33.43       | 31.75       | 1.3750 - 18 UNEF | 38.8    | 49.6       | 43.4    | 22.3       | 11.32   | 3.8      | 39.67    |
| 22         | 49.7    | 36.60       | 34.85       | 1.5000 - 18 UNEF | 42.0    | 52.7       | 43.4    | 22.3       | 11.32   | 3.8      | 42.88    |
| 24         | 52.8    | 39.78       | 38.10       | 1.6250 - 18 UNEF | 45.2    | 55.9       | 43.4    | 23.1       | 12.16   | 3.8      | 46.02    |

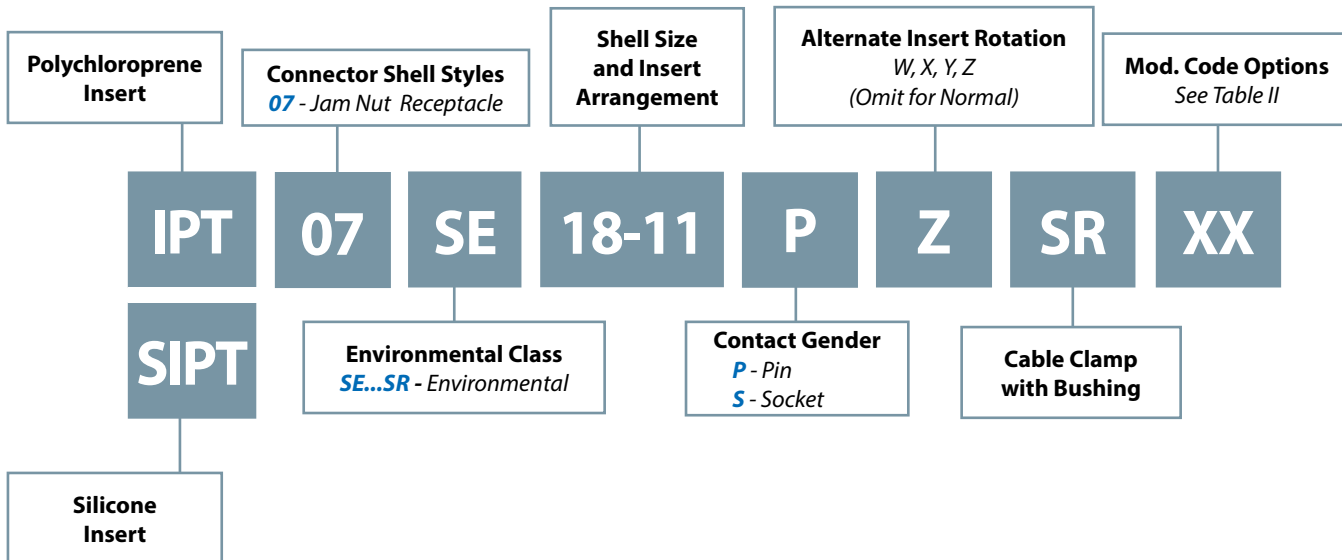


**TABLE II: MODIFICATION CODES**

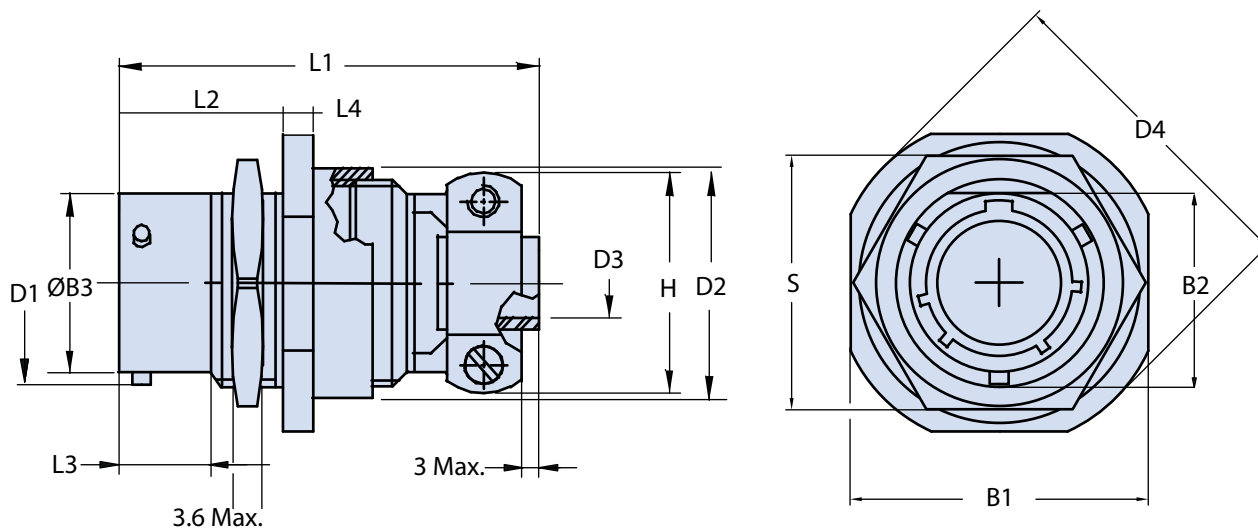
| CONTACT OPTIONS  |  |
|--|--|
| Sym  | Description  |
| <b>B0</b>  | Connector Without Contacts<br>(Only for crimp version) |
| FINISH OPTIONS   |  |
| Sym  | Description and RoHS compliant                         |
| <b>F6</b>  | Black Electrodeposited Paint                           |
| <b>F7</b>  | Black Zinc Nickel                                      |
| <b>F11</b>   | Electroless Nickel                                     |
| <b>MB</b>  | Marine Bronze  |
| <b>Omit for standard version<br/>(Cadmium Olive Drab Finish)</b> |  |



**IPT 07 SE...SR**  
**Jam Nut Receptacle**  
Connector and Backshell with Cable Clamp and Bushing



**B**



**Application Notes**

1. Jam nut receptacle connector with shrink boot backshell.
2. Connector/Backshell Class "SE...SR" (environmental).
3. Standard materials configuration consists of aluminum alloy with stainless steel coupling pins.
4. Standard contact material consists of copper alloy with gold plating over nickel.
5. A broad range of other front and rear connector accessories are available. See our website and/or contact factory for complete information.
6. Standard insert is high insulation synthetic rubber.

**IPT 07 SE...SR**  
**Jam Nut Receptacle**  
**Connector and Backshell with Cable Clamp and Bushing**



**TABLE I: DIMENSIONS**

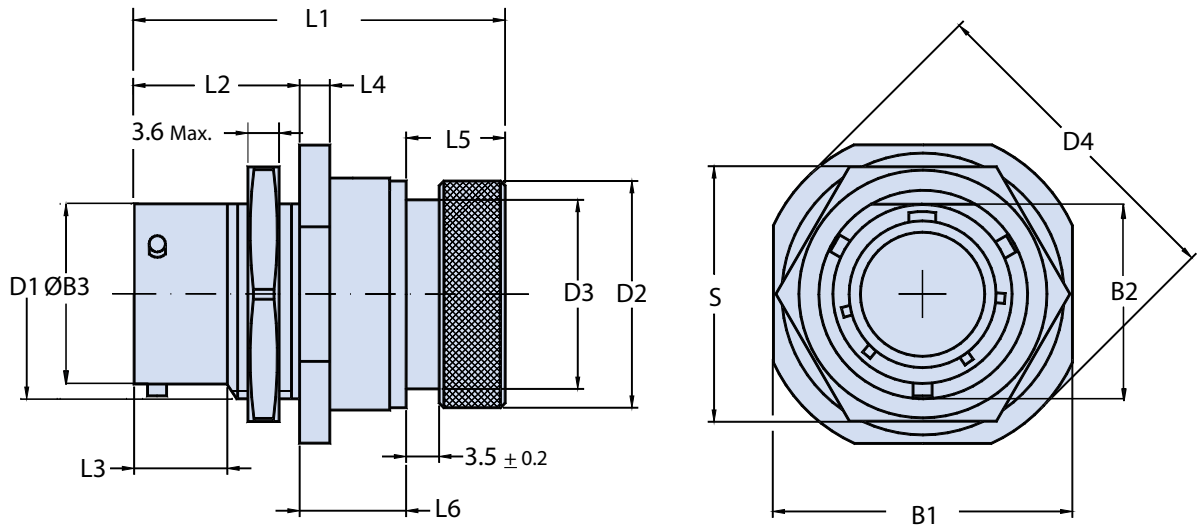
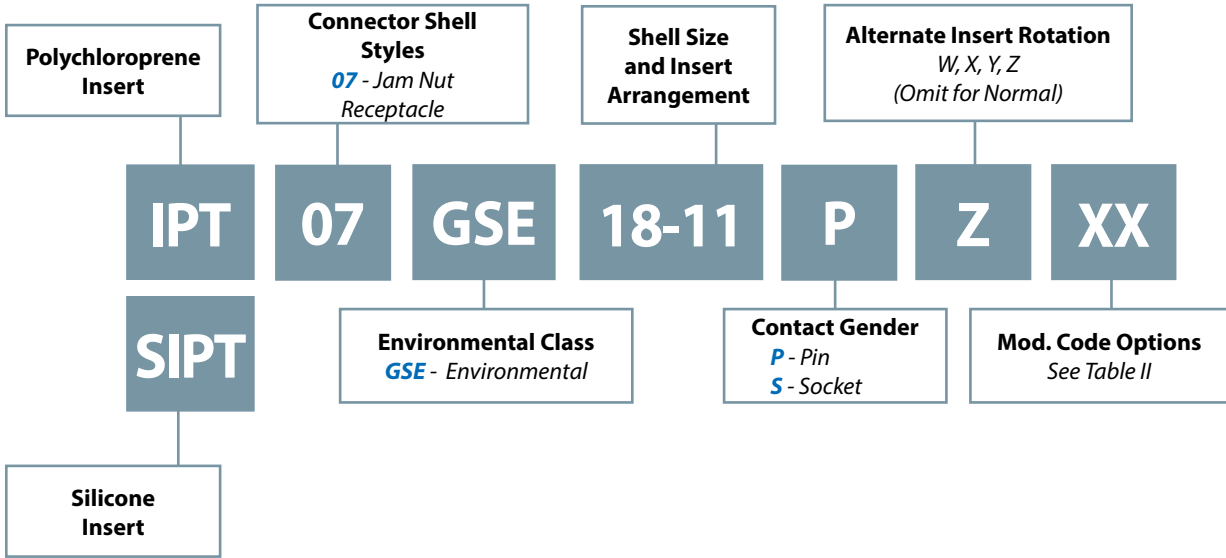
| Shell size | B1 Max. | B2 +0 -0.25 | ØB3 +0 -0.1 | D1               | D2 Min. | D3 +0.3 -0.7 | D4 +0 -0.8 | H ±0.2 | L1 Max. | L2 +0.8 -0 | L3 Min. | L4 ±0.15 | S ±0.43 |
|------------|---------|-------------|-------------|------------------|---------|--------------|------------|--------|---------|------------|---------|----------|---------|
| 8          | 24.3    | 13.46       | 12.00       | 0.5625 - 24 UNEF | 19.0    | 3.2          | 27.3       | 19.10  | 61.5    | 17.5       | 9.75    | 3.0      | 19.05   |
| 10         | 27.4    | 16.64       | 14.98       | 0.6875 - 24 UNEF | 22.2    | 4.8          | 30.5       | 20.70  | 61.5    | 17.5       | 9.75    | 3.0      | 22.23   |
| 12         | 32.2    | 20.78       | 19.05       | 0.8750 - 20 UNEF | 25.4    | 7.9          | 35.3       | 23.90  | 61.5    | 17.5       | 9.75    | 3.0      | 26.97   |
| 14         | 35.4    | 23.93       | 22.22       | 1.0000 - 20 UNEF | 28.5    | 9.5          | 38.5       | 27.00  | 61.5    | 17.5       | 9.75    | 3.0      | 30.18   |
| 16         | 38.6    | 27.08       | 25.40       | 1.1250 - 18 UNEF | 31.7    | 12.7         | 41.6       | 28.60  | 64.4    | 17.5       | 9.75    | 3.0      | 33.32   |
| 18         | 41.7    | 30.25       | 28.57       | 1.2500 - 18 UNEF | 34.9    | 15.9         | 44.8       | 35.00  | 64.4    | 17.5       | 9.75    | 3.0      | 36.53   |
| 20         | 46.5    | 33.43       | 31.75       | 1.3750 - 18 UNEF | 38.8    | 15.9         | 49.6       | 35.00  | 71.1    | 22.3       | 11.32   | 3.8      | 39.67   |
| 22         | 49.7    | 36.60       | 34.85       | 1.5000 - 18 UNEF | 42.0    | 19.1         | 52.7       | 39.75  | 71.1    | 22.3       | 11.32   | 3.8      | 42.88   |
| 24         | 52.8    | 39.78       | 38.10       | 1.6250 - 18 UNEF | 45.2    | 20.3         | 55.9       | 42.10  | 73.6    | 23.1       | 12.16   | 3.8      | 46.02   |

B

**TABLE II: MODIFICATION CODES**

| CONTACT OPTIONS  |  |
|--|--|
| Sym  | Description  |
| <b>B0</b>  | Connector Without Contacts<br>(Only for crimp version) |
| FINISH OPTIONS   |  |
| Sym  | Description and RoHS compliant                         |
| <b>F6</b>  | Black Electrodeposited Paint                           |
| <b>F7</b>  | Black Zinc Nickel                                      |
| <b>F11</b>   | Electroless Nickel                                     |
| <b>MB</b>  | Marine Bronze  |
| <b>Omit for standard version<br/>(Cadmium Olive Drab Finish)</b> |  |

# IPT 07 GSE Jam Nut Receptacle with Shrink Boot Backshell



### Application Notes

1. Jam nut receptacle connector with shrink boot backshell.
2. Connector/Backshell Class "GSE" (environmental).
3. Standard materials configuration consists of aluminum alloy with stainless steel coupling pins.
4. Standard contact material consists of copper alloy with gold plating over nickel.
5. A broad range of other front and rear connector accessories are available. See our website and/or contact factory for complete information.
6. Standard insert is high insulation synthetic rubber.



**IPT 07 GSE**  
**Jam Nut Receptacle**  
**with Shrink Boot Backshell**



**TABLE I: DIMENSIONS**

| Shell size | B1 Max. | B2 +0 -0.25 | ØB3 +0 -0.1 | D1            | D2 +0 -0.2 | D3 +0 -0.2 | D4 +0 -0.8 | L1 Max. | L2 +0.8 -0 | L3 Min. | L4 ±0.5 | L5 ±0.1 | L6 ±0.2 | S ±0.43 |
|------------|---------|-------------|-------------|---------------|------------|------------|------------|---------|------------|---------|---------|---------|---------|---------|
| 8          | 24.3    | 13.46       | 12.00       | 0.5625-24UNEF | 15.6       | 13.3       | 27.3       | 47.0    | 17.5       | 9.75    | 3.0     | 12.2    | 10.8    | 19.05   |
| 10         | 27.4    | 16.46       | 14.98       | 0.6875-24UNEF | 18.2       | 16.0       | 30.5       | 47.0    | 17.5       | 9.75    | 3.0     | 12.2    | 11.0    | 22.23   |
| 12         | 32.2    | 20.78       | 19.05       | 0.8750-20UNEF | 23.7       | 21.4       | 35.3       | 47.0    | 17.5       | 9.75    | 3.0     | 12.2    | 10.8    | 26.97   |
| 14         | 35.4    | 23.93       | 22.22       | 1.0000-20UNEF | 24.5       | 22.2       | 38.5       | 49.0    | 17.5       | 9.75    | 3.0     | 12.2    | 10.8    | 30.18   |
| 16         | 38.6    | 27.08       | 25.40       | 1.1250-18UNEF | 29.8       | 26.2       | 41.6       | 49.0    | 17.5       | 9.75    | 3.0     | 14.5    | 10.8    | 33.32   |
| 18         | 41.7    | 30.25       | 28.57       | 1.2500-18UNEF | 32.0       | 28.5       | 44.8       | 49.0    | 17.5       | 9.75    | 3.0     | 14.5    | 10.8    | 36.53   |
| 20         | 46.5    | 33.43       | 31.75       | 1.3750-18UNEF | 36.1       | 32.5       | 49.6       | 57.0    | 22.3       | 11.32   | 3.8     | 15.8    | 12.6    | 39.67   |
| 22         | 49.7    | 36.60       | 34.85       | 1.5000-18UNEF | 38.5       | 34.8       | 52.7       | 57.0    | 22.3       | 11.32   | 3.8     | 15.8    | 12.6    | 42.88   |
| 24         | 52.8    | 39.78       | 38.10       | 1.6250-18UNEF | 41.6       | 37.9       | 55.9       | 57.0    | 23.1       | 12.16   | 3.8     | 14.9    | 12.8    | 46.02   |

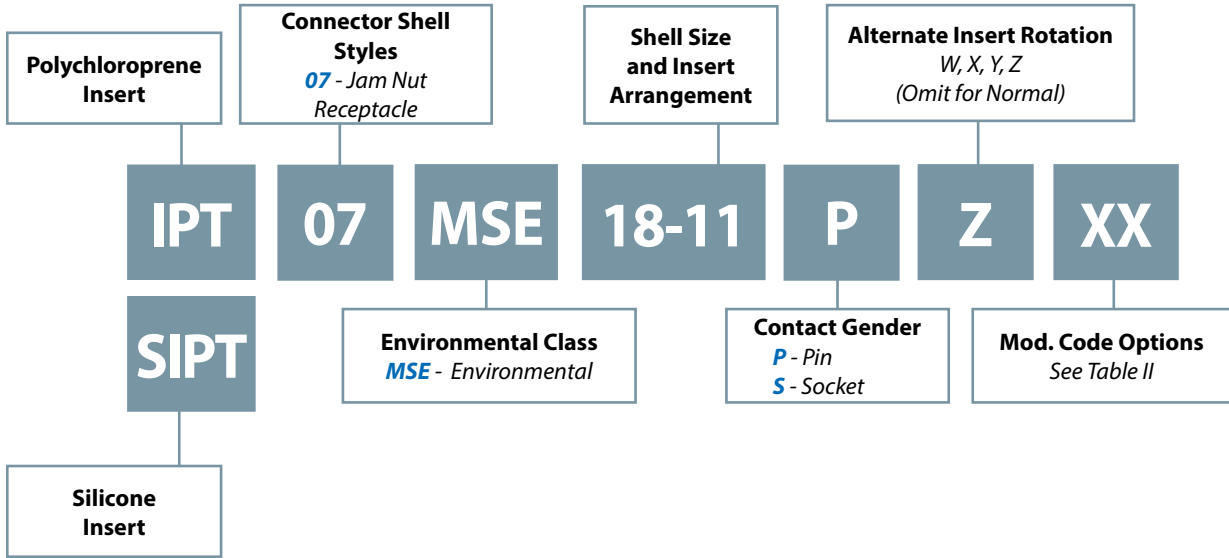
**B**

**TABLE II: MODIFICATION CODES**

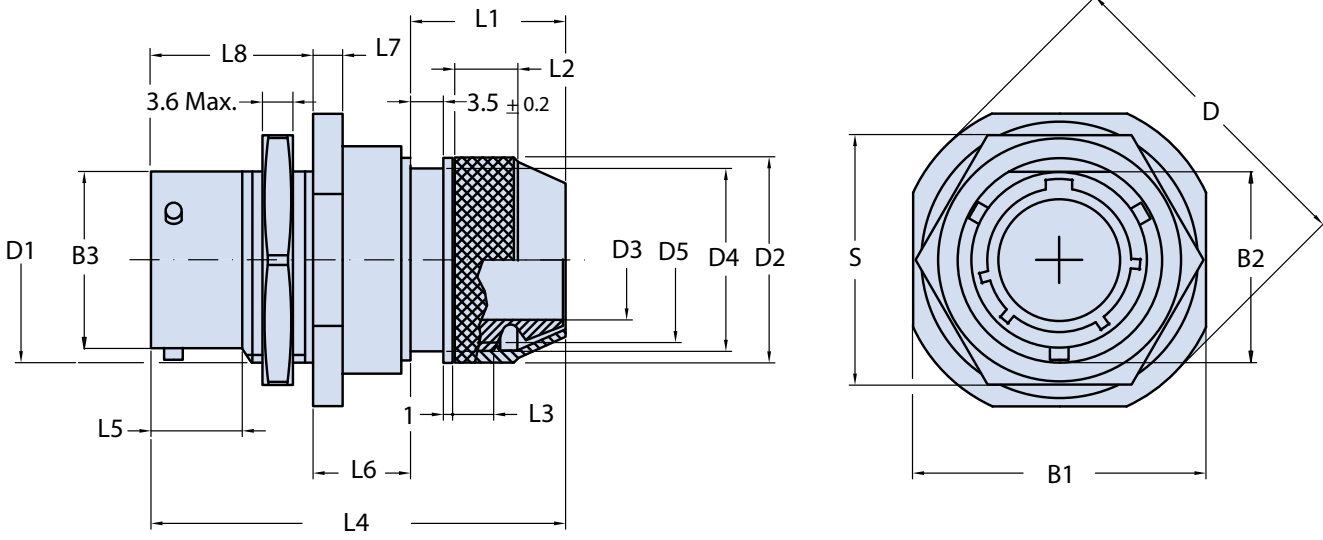
| CONTACT OPTIONS  |  |
|--|--|
| Sym  | Description  |
| <b>B0</b>  | Connector Without Contacts<br>(Only for crimp version) |
| FINISH OPTIONS   |  |
| Sym  | Description and RoHS compliant                         |
| <b>F6</b>  | Black Electrodeposited Paint                           |
| <b>F7</b>  | Black Zinc Nickel                                      |
| <b>F11</b>   | Electroless Nickel                                     |
| <b>MB</b>  | Marine Bronze  |
| <b>Omit for standard version<br/>(Cadmium Olive Drab Finish)</b> |  |



# IPT 07 MSE Jam Nut Receptacle with Backshell for EMI Shield Termination and Shrink Boot



**B**



### Application Notes

1. Jam nut receptacle with EMI shield termination / shrink boot backshell
2. Connector Class "MSE" (environmental).
3. Standard materials configuration consists of aluminum alloy with stainless steel coupling pins.
4. Standard contact material consists of copper alloy with gold plating over nickel.
5. Standard insert is high insulation synthetic rubber.

**IPT 07 MSE**  
**Jam Nut Receptacle**  
**with Backshell**  
**for EMI Shield Termination and Shrink Boot**



**TABLE I: DIMENSIONS**

| Shell Size | B1 Max. | B2 +0 -0.25 | ØB3 +0 -0.1 | D1               | D +0 -0.8 | L4 Max. | L5 Min. | L6 ±0.2 | L7 ±0.5 | L8 +0.8 -0 | S ±0.43 |
|------------|---------|-------------|-------------|------------------|-----------|---------|---------|---------|---------|------------|---------|
| 8          | 24.3    | 13.46       | 12.00       | .5625 - 24 UNEF  | 27.3      | 52      | 9.75    | 10.8    | 3.0     | 17.5       | 19.05   |
| 10         | 27.4    | 16.64       | 14.98       | .6875 - 24 UNEF  | 30.5      | 52      | 9.75    | 11.0    | 3.0     | 17.5       | 22.23   |
| 12         | 32.2    | 20.78       | 19.05       | .8750 - 20 UNEF  | 35.3      | 52      | 9.75    | 10.8    | 3.0     | 17.5       | 26.97   |
| 14         | 35.4    | 23.93       | 22.22       | 1.0000 - 20 UNEF | 38.5      | 53      | 9.75    | 10.8    | 3.0     | 17.5       | 30.18   |
| 16         | 38.6    | 27.08       | 25.40       | 1.1250 - 18 UNEF | 41.6      | 53      | 9.75    | 10.8    | 3.0     | 17.5       | 33.32   |
| 18         | 41.7    | 30.25       | 28.57       | 1.2500 - 18 UNEF | 44.8      | 53      | 9.75    | 10.8    | 3.0     | 17.5       | 36.53   |
| 20         | 46.5    | 33.43       | 31.75       | 1.3750 - 18 UNEF | 49.6      | 57      | 11.32   | 12.6    | 3.8     | 22.3       | 39.67   |
| 22         | 49.7    | 36.60       | 34.85       | 1.5000 - 18 UNEF | 52.7      | 59      | 11.32   | 12.6    | 3.8     | 22.3       | 42.88   |
| 24         | 52.8    | 39.78       | 38.10       | 1.6250 - 18 UNEF | 55.9      | 60      | 12.16   | 12.8    | 3.8     | 23.1       | 46.02   |

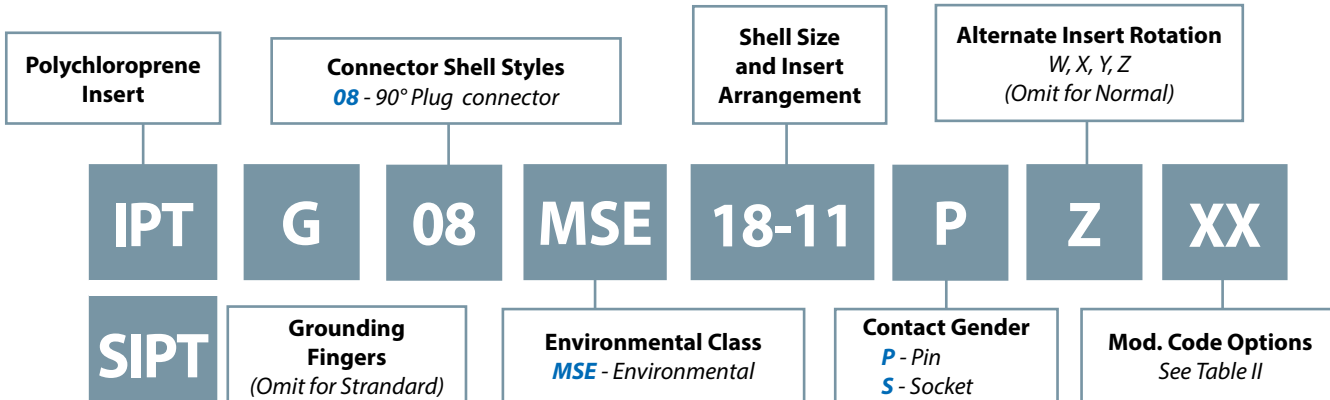
For backshell dimensions D2, D3, D4, D5, L1, L2 and L3 please refer to IPT 06 MSE TABLE I: DIMENSIONS at Page B-53

**TABLE II: MODIFICATION CODES**

| CONTACT OPTIONS  |  |
|--|--|
| Sym  | Description  |
| <b>B0</b>  | Connector Without Contacts<br>(Only for crimp version) |
| FINISH OPTIONS   |  |
| Sym  | Description and RoHS compliant                         |
| <b>F7</b>  | Black Zinc Nickel                                      |
| <b>F11</b>   | Electroless Nickel                                     |
| <b>MB</b>  | Marine Bronze  |
| <b>Omit for standard version<br/>(Cadmium Olive Drab Finish)</b> |  |

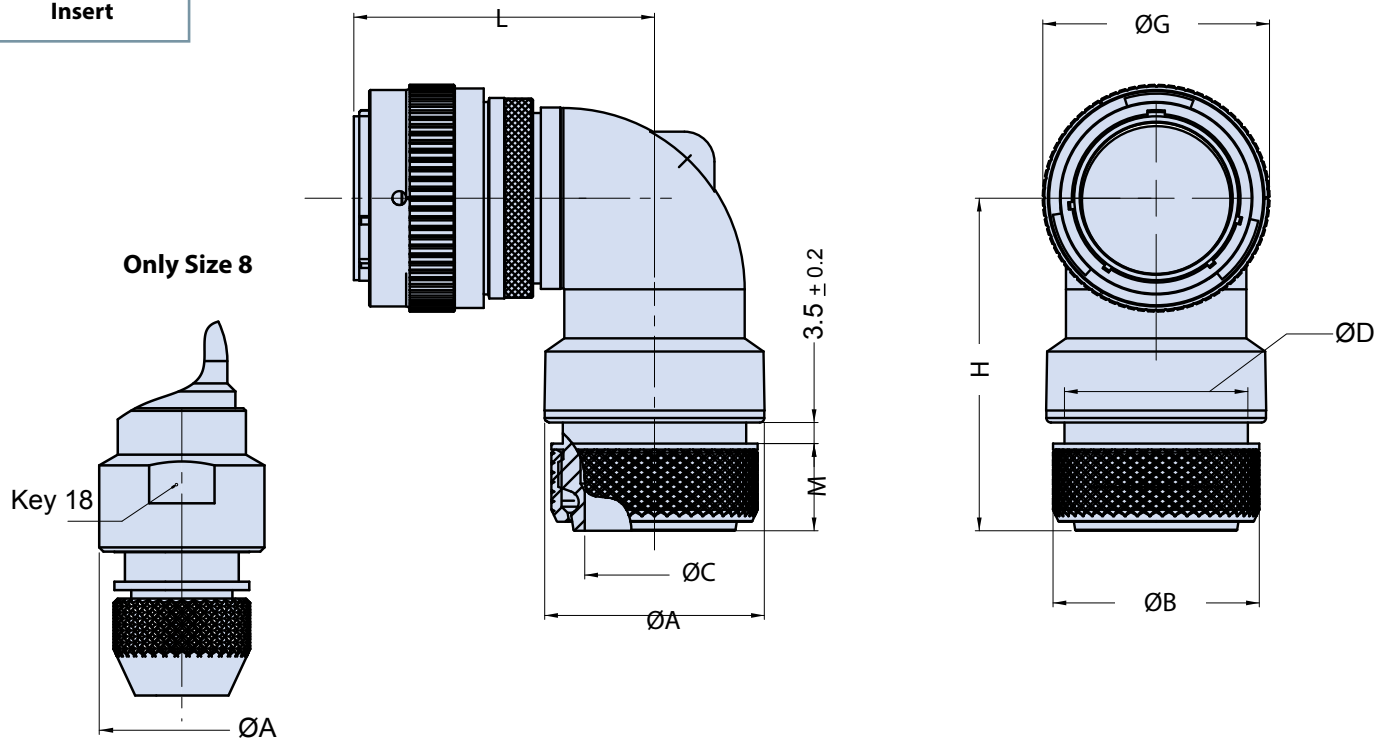


**IPT 08 MSE**  
**90° Plug Connector**  
with Backshell  
for EMI Shield Termination and Shrink Boot



**B**

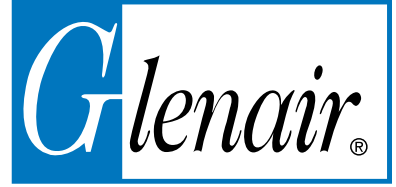
Silicone Insert



**Application Notes**

1. Straight plug connector with 90° Backshell.
2. Connector Class "MSE" (environmental).
3. Standard materials configuration consists of aluminum alloy with stainless steel coupling pins.
4. Standard contact material consists of copper alloy with gold plating over nickel.
5. Standard insert is high insulation synthetic rubber.

**IPT 08 MSE**  
**90° Plug Connector**  
 with Backshell  
 for EMI Shield Termination and Shrink Boot



**TABLE I: DIMENSIONS**

| Shell Size | ØA<br>± 0.2 | ØB<br>± 0.2 | ØC<br>+0.1/0 | ØD<br>0/-0.2 | M<br>± 0.5 | ØG<br>±0.2 | L<br>Max. | H<br>Max. |
|------------|-------------|-------------|--------------|--------------|------------|------------|-----------|-----------|
| 8          | 19.6        | 16.20       | 6.80         | 13.50        | 13.50      | 18.10      | 34.50     | 45.50     |
| 10         | 19.05       | 18.30       | 9.30         | 15.80        | 12.50      | 21.05      | 37.50     | 45.10     |
| 12         | 22.00       | 22.30       | 12.25        | 19.80        | 13.50      | 25.15      | 37.50     | 48.00     |
| 14         | 25.50       | 25.30       | 15.40        | 22.60        | 14.50      | 28.40      | 39.20     | 49.50     |
| 16         | 30.175      | 28.30       | 18.50        | 26.00        | 14.50      | 31.60      | 44.40     | 52.70     |
| 18         | 30.175      | 32.30       | 20.20        | 28.20        | 14.50      | 35.00      | 46.60     | 56.60     |
| 20         | 36.60       | 34.30       | 23.30        | 30.50        | 14.50      | 37.70      | 50.50     | 55.80     |
| 22         | 36.60       | 38.20       | 26.00        | 34.00        | 14.50      | 40.20      | 54.40     | 59.60     |
| 24         | 44.80       | 41.30       | 29.00        | 37.20        | 14.50      | 44.00      | 55.70     | 58.60     |

**B**

**TABLE II: MODIFICATION CODES**

| CONTACT OPTIONS  |  |
|--|--|
| Sym  | Description  |
| <b>B0</b>  | Connector Without Contacts<br>(Only for crimp version) |
| FINISH OPTIONS   |  |
| Sym  | Description and RoHS compliant                         |
| <b>F7</b>  | Black Zinc Nickel                                      |
| <b>F11</b>   | Electroless Nickel                                     |
| <b>MB</b>  | Marine Bronze  |
| <b>Omit for standard version<br/>(Cadmium Olive Drab Finish)</b> |  |

SERIES 921

# SUPER ITS™

*High-performance reverse-bayonet power and signal connectors for harsh application environments*



**G**lenair is one of the world's most experienced manufacturers of reverse-bayonet, 5015 type power and signal connectors. Our ITS series connectors have been used in thousands of industrial, rail, and military applications. Now Glenair has taken this proven reverse-bayonet coupling technology and combined it with next-generation materials and design to create the ultimate high-performance power and signal cylindrical connector. The Series 921 Super ITS™ features vastly improved mechanical, environmental and electrical performance compared to standard-duty 5015 type industrial connectors. From its high-ampacity LouverBand contacts to its high-temperature PTFE inserts, the Super ITS™ is the ultimate power distribution and signal transmission connector for harsh environments.



Glenair Italia S.p.A.  
Via del Lavoro, 7.  
40057 - Quarto Inferiore  
Granarolo dell'Emilia  
Bologna - Italy  
Tel. +39 051 782811  
Fax +39 051 782259  
info@glenair.it  
www.glenair.it

# IPT Series



## General Duty Solder and Crimp Contact MIL-DTL-26482 Serie I Bayonet Connector Section C

### Bayonet-Lock Signal Connectors (MIL-DTL-26482 Serie I)

Product Line Overview

C-2 - C3

### Bayonet-Lock Signal Connectors (MIL-DTL-26482 Serie I)

Styles and Classes

C-4 ; C-6

### How to Order • Part Number Breakdown

C-7

### Cross Section

C-8

### Technical data

C-9

### Materials and Finishes

C-10

### Contact Dimensions

C-11

### Insert Arrangement Tables and Alternate Inserto Position

C-12

### Alternate Key Positions

C-13

### Fastener Height Requirements and Panel Cutout Dimensions

C-14

### Available Insert Arrangements

C-15 ; C-17

### IPT Connectors Configurations

C-18



## An Economical Connector Solution for General Electronics, Industrial Controls, Instrumentation and Military Vehicles

### Harsh Application Environments

The Glenair Series IPT Bayonet-Lock Signal Connector is ideally suited for all interconnect applications that require a general-duty connector equipped with solder cup contacts and one-piece rubber insert. The bayonet coupling mechanism provides fast and easy mating, especially when the connector is situated in an awkward or hard to reach location. The connector's high resistance to vibration and shock provides foolproof performance in even the most rigorous application environments. Environmental protection to IP67 levels provides additional reliability and the flexibility to specify these rugged connectors in harsh applications such as machine tools and factory automation. Supplied solder cup contacts are gold-plated over nickel. Optional crimp contacts are available, however the Glenair IPT SE series, with its industry standard rear-release crimp contacts

and retention clip mechanism is better suited for all high-performance applications that require crimp contacts. Sealing members in the IPT series are made from resilient neoprene rubber. The standard insert material is synthetic rubber. There are 40 different size 12, size 16 and size 20 insert arrangements and nine shell sizes.

### Intermateability

The Series IPT Connector is interchangeable and intermateable with the wide range of industry-standard bayonet connectors designed around MIL-DTL-26482 Series I and/or qualified to VG 95328, including VEAM VPT, Amphenol PT, Amphenol Limited G2GB, and ITT Cannon KPT.

- Solder Cup Version with Optional Crimp Contacts
- Resilient Environmental Inserts
- Fast, Easy Bayonet Coupling
- 40 Power and Signal Insert Arrangements
- All Shell Styles: Plug, Square Flange, Jam-Nut, etc.
- High Shock and Vibration Resistance
- Pin Counts from 2 to 61; Size #12, #16 and #20 Contacts
- Audible and Visual Coupling Indicators
- Keyed Polarization





## Glenair IPT Series Bayonet-Lock Signal Connectors (MIL-DTL-26482 Serie I) Product Line Overview



### MIL-C-26482

The Glenair IPT miniature bayonet-lock connector series is based on the MIL-DTL-26482 Series I standard, and shares the same insert arrangements, shell dimensions, supported contacts and electrical performance ratings as MIL-DTL-26482 and VG 95328. The MIL-DTL-26482 type 3-point bayonet coupling mechanism provides easy mating and positive locking resistance to vibration, shock, and other connector de-coupling forces in general duty and environmental interconnect systems such as military and commercial aircraft, medical equipment, industrial controls, factory robotics, instrumentation and other general electronic applications.

### Component Materials

IPT connectors are available in aluminum alloy and marine bronze are supplied with a range of popular and RoHs compatible shell plating finishes. Most styles are available in either a basic (A) version as well as an (E) version that ships with a wire sealing grommet for additional environmental protection. Our F6,F7 and F11 platings are RoHs compliant.

### EMI and Environmental Applications

IPT Series connectors are perfectly suited for use in rugged applications where EEC compliance directives for electromagnetic compatibility is required. A complete range of EMI shield termination accessories are available for both overall as well as individual wire shields.

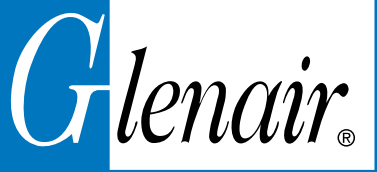
Equipped with the appropriate backshells and environmental sealing, the connectors are submersible for 48 hours up to a depth of two meters.

### Connector Accessories

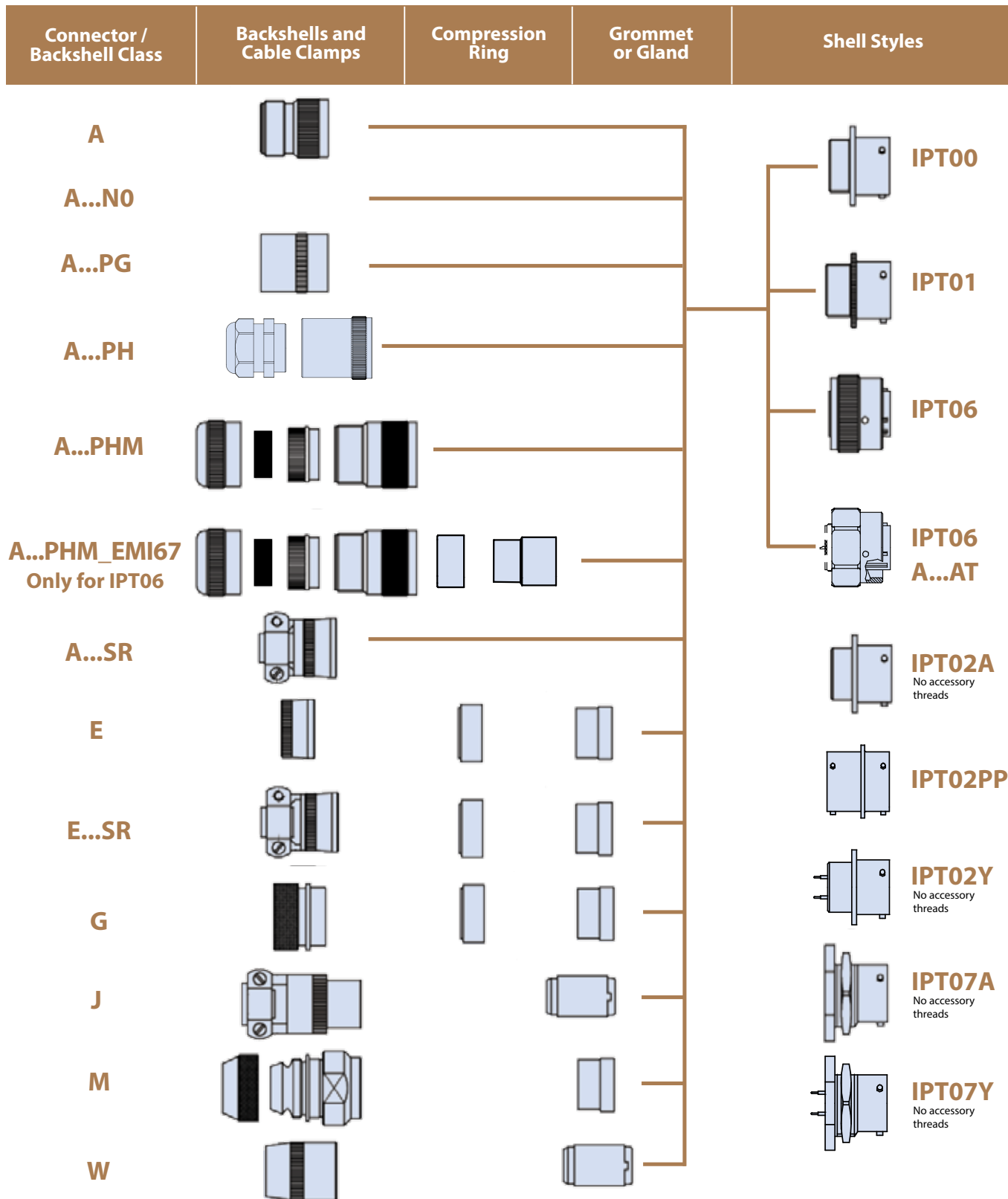
Many of the IPT Series connectors come standard already paired with selected backshell accessories for most application requirements. See the accessory descriptions on the opposite page for more information. A full range of additional connector accessories including dustcaps and EMI gaskets are also available.

Please contact the factory for additional information or any of our worldwide sales and engineering facilities. Glenair's website, [www.glenair.com](http://www.glenair.com) also has complete information on these products, as well as other ruggedized power and signal connectors.





## Glenair IPT Series Bayonet-Lock Signal Connectors (MIL-DTL-26482 Serie I) Styles and Classes



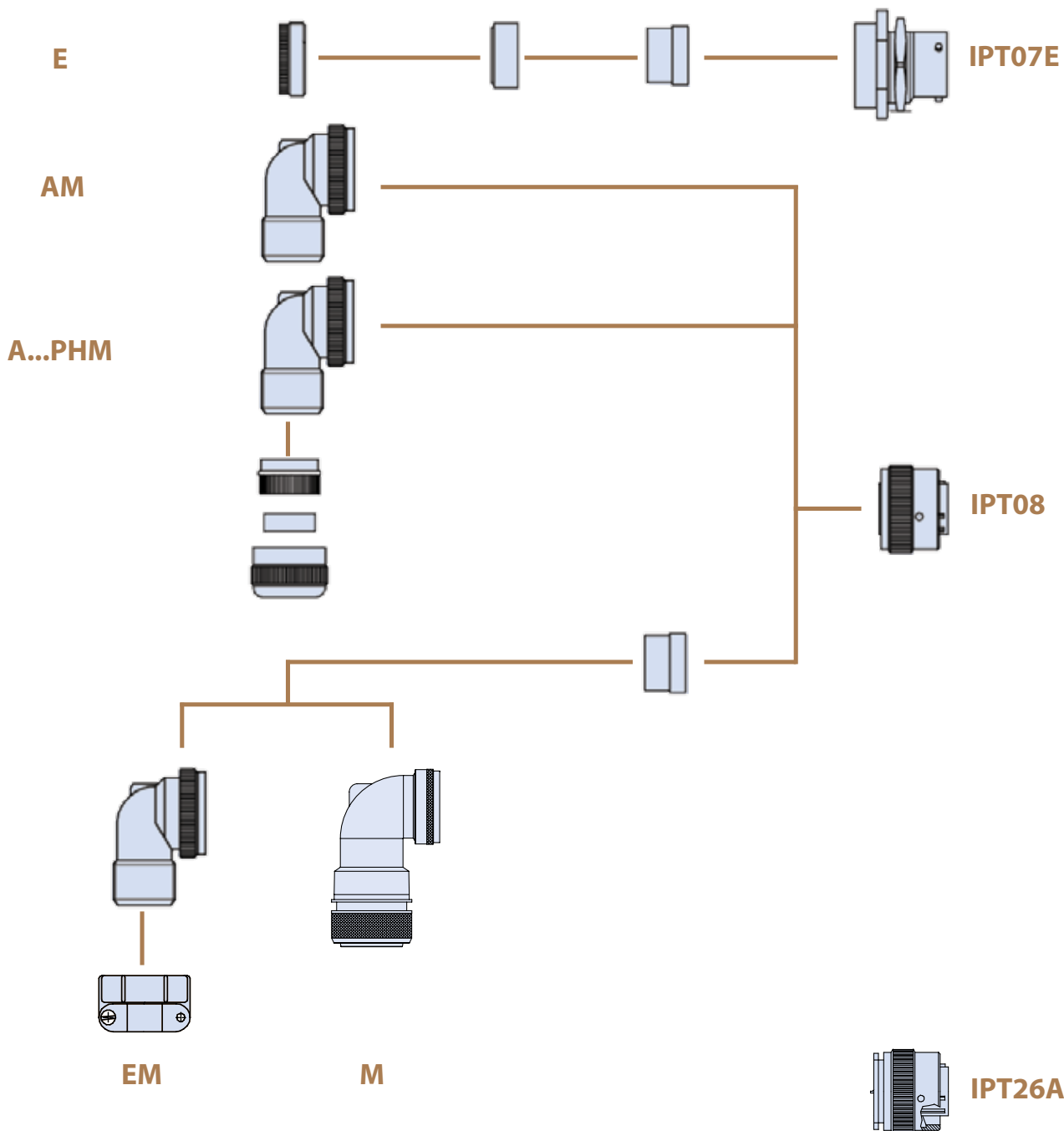
C

# Glenair IPT Series Bayonet-Lock Signal Connectors (MIL-DTL-26482 Serie I) Styles and Classes

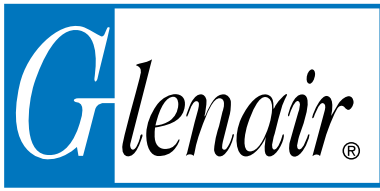


IPT Series  
Bayonet Lock  
Connectors

| Connector / Backshell Class | Backshells and Cable Clamps | Compression Ring | Grommet or Gland | Shell Styles |
|-----------------------------|-----------------------------|------------------|------------------|--------------|
|-----------------------------|-----------------------------|------------------|------------------|--------------|



C



## Glenair IPT Series Bayonet-Lock Signal Connectors (MIL-DTL-26482 Serie I) Styles and Classes

Glenair IPT Series products are typically supplied in termination assemblies that include the chosen style of connector together with a specific backshell accessory.

**A:** For general-duty applications. This non-environmental connector-backshell assembly is supplied with a general-duty backshell for the attachment of additional accessories such as MS 3057 cable clamps (ordered separately). Non-environmental: no grommet supplied.

**A...NO** For general-duty applications. This non-environmental connector is supplied with rear threads for the attachment of additional backshell (ordered separately).

**A...PG:** Straight plug with PG threaded backshell for attachment of PG cable glands in compliance with DIN 40430 (not included).

**A...PH:** Straight plug with backshell and plastic cable glands.

**A...PHM:** Connector with quick and easy to assemble PHM cable gland backshell. Supplied with different diameter sleeves to accommodate varying cable sizes.

**A...SR:** Same as class A, but with cable clamp and bushing for cable protection.

**E:** For general-duty environmental applications using individual wires. Environmental sealing is provided through an individual wire sealing grommet in the connector. No cable clamp supplied.

**E...SR:** Same as class E, but with cable clamp and bushing for cable protection.

**G:** Plug with straight backshell for heatshrink boot.

**J:** Same as class W, but with cable clamp for improved strain relief.

**M:** Plug with removable backshell for screen termination and heatshrink boot.

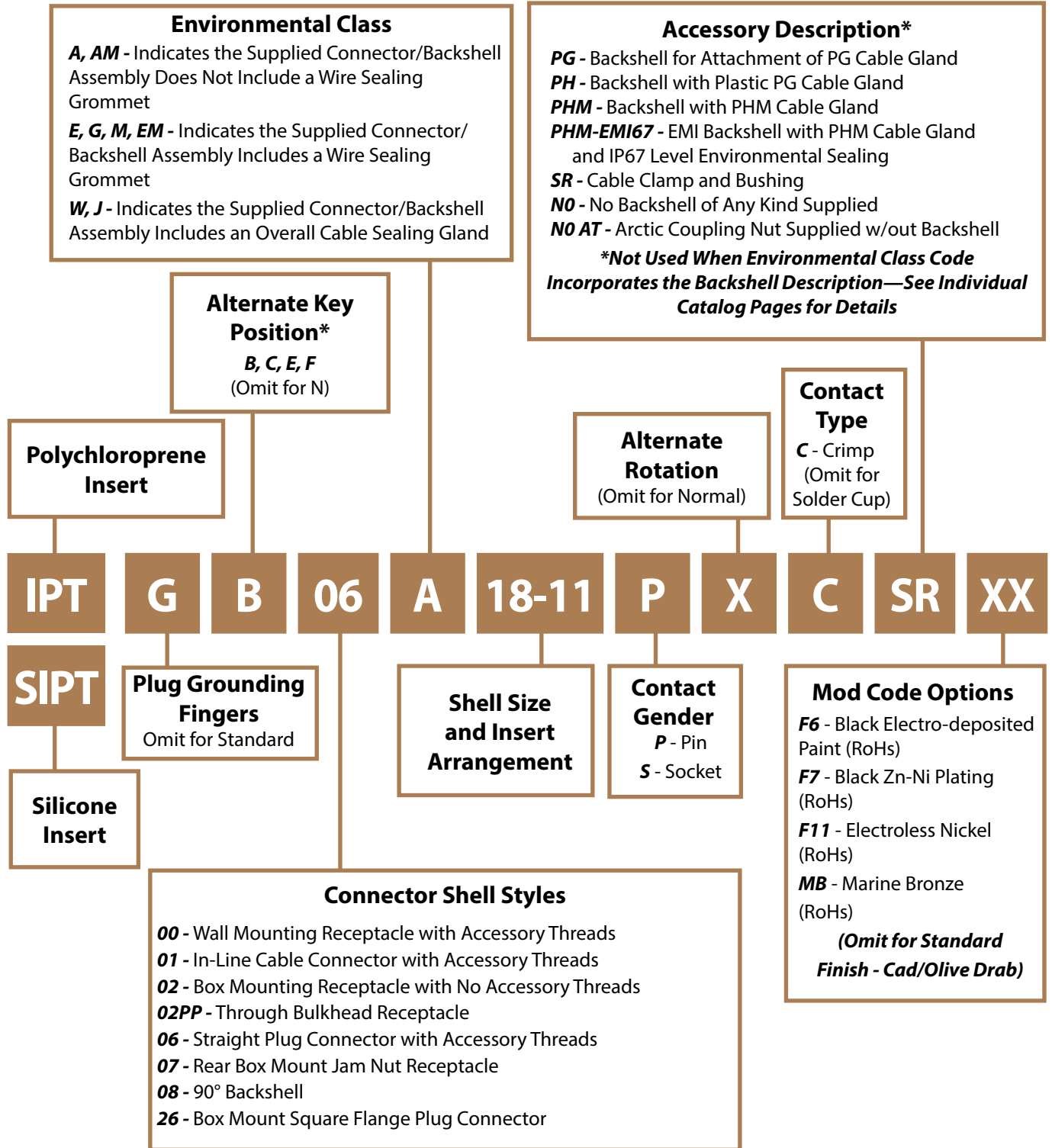
**W:** Long backshell to ease assembly. Incorporates metal sleeve and gland seal to provide overall cable sealing for improved environmental protection. No cable clamp provided.

**AM:** Non-environmental with 90° backshell.

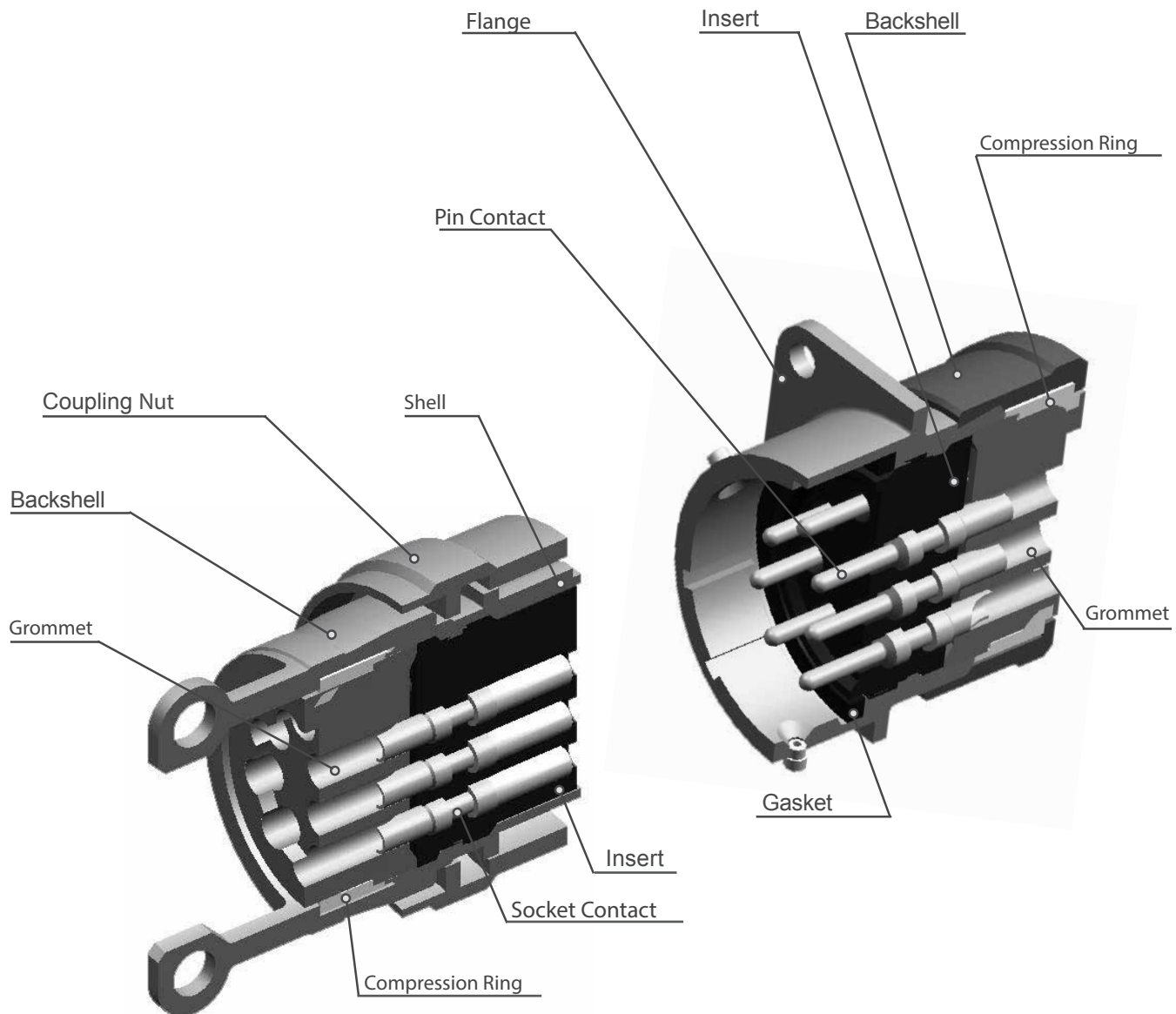
**EM:** Environmental (rear wire sealing grommet) 90° backshell with cable clamp.

**A...PHM EMI67:** Watertight connector and PHM cable gland backshell, resistant to IP67, suitable for EMI shielded cables. Supplied with different diameter sleeves to accommodate varying cable diameters.

**Glenair IPT Series**  
**Bayonet-Lock Signal Connectors (MIL-DTL-26482 Serie I)**  
 How to Order • Part Number Breakdown



**\*For Alternate Key Positions (Page C-13), please contact the factory.**



The Glenair IPT miniature bayonet-lock connector series features a 3 point bayonet coupling mating interface with stainless steel coupling pins for advanced durability. Resilient inserts provide outstanding dielectric performance and environmental protection. Individual wire sealing grommets elevate the environmental protection rating to IP67. Conductive metal shells and plating provide a reliable ground plane for EMI applications when connectors are combined with appropriate shield termination backshells. Ground springs are also available in plug versions to further enhance EMC. Shells are keyed with five total alternate key positions. Inserts may also be clocked for additional polarization protection. The connectors are temperature rated from  $-55^{\circ}\text{C}$  to  $+125^{\circ}\text{C}$  (Polychloroprene) and  $-55^{\circ}\text{C}$  to  $+200^{\circ}\text{C}$  (Silicone). Standard solder cup contact versions enable direct attachment of wire without the use of specialized crimp tools.

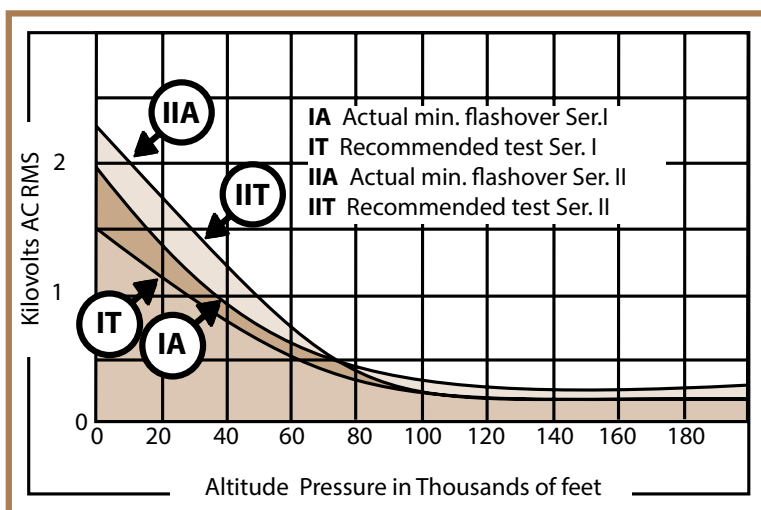
**Glenair IPT Series**  
**Bayonet-Lock Signal Connectors (MIL-DTL-26482 Serie I)**  
**Technical Data**



IPT Series  
Bayonet Lock  
Connectors

| Service Rating |                      |                      |                 |
|----------------|----------------------|----------------------|-----------------|
| Class          | Operating voltage AC | Operating voltage DC | Test voltage AC |
| I              | 600                  | 700                  | 1500            |
| II             | 1000                 | 1250                 | 2300            |

| Potential Drop |              |                |
|----------------|--------------|----------------|
| Contact size   | Test current | Potential drop |
| 20             | 7.5 A        | 55 mV          |
| 16             | 13.0 A       | 50 mV          |
| 12             | 23 A         | 50 mV          |





## Glenair IPT Series Bayonet-Lock Signal Connectors (MIL-DTL-26482 Serie I) Materials and Finishes

| MATERIALS                          |   |
|------------------------------------|---|
| COMPONENT                          | MATERIAL  |
| <b>Shells</b>                      | Aluminum Alloy IAW QQ-A-591 Shells<br>Stainless Steel Coupling Pins<br>Stainless Steel Spring |
| <b>Inserts (Temperature Range)</b> | High Insulation Synthetic Rubber (Chloroprene): -55°C/+125°C                                  |
| <b>Contacts</b>                    | Copper Alloy with Gold Plating Over Nickel  |

| STANDARD MATERIAL & FINISH OPTIONS |                           |                       |                         |                        |                         |
|------------------------------------|---------------------------|-----------------------|-------------------------|------------------------|-------------------------|
| Property                           | RoHS                      |                       |                         |                        | Not RoHS                |
|                                    | Alum/Black Non Conductive | Alum/Black Conductive | Alum/Electroless Nickel | Unplated/Marine Bronze | Alum/Cadmium Olive Drab |
|                                    | F6                        | F7                    | F11                     | MB                     | G3                      |
| Temperature Range                  | -55°C + 200°C             | -55°C + 175°C         | -55°C + 200°C           | -55°C + 200°C          | -55°C + 175°C           |
| Salt Spray Hours                   | 500                       | 500                   | 48                      | 1000                   | 500                     |
| Electical Conductivity             | NO                        | Very Good             | Very Good               | Very Good              | Very Good               |

**TABLE II: MODIFICATION CODES**

| CONTACT OPTIONS  |  |
|--|--|
| Sym  | Description  |
| <b>B0</b>  | Connector Without Contacts<br>(Only for crimp version) |
| FINISH OPTIONS   |  |
| Sym  | Description and RoHS compliant                         |
| <b>F6</b>  | Black Electrodeposited Paint                           |
| <b>F7</b>  | Black Zinc Nickel                                      |
| <b>F11</b>   | Electroless Nickel                                     |
| <b>MB</b>  | Marine Bronze  |
| <b>Omit for standard version<br/>(Cadmium Olive Drab Finish)</b> |  |

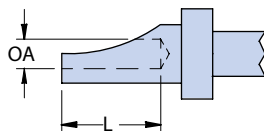


# Glenair IPT Series Bayonet-Lock Signal Connectors (MIL-DTL-26482 Serie I) Contact Dimensions



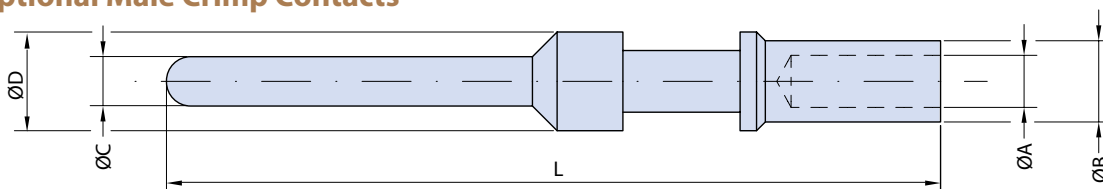
IPT Series  
Bayonet Lock  
Connectors

## IPT Solder Cup Contacts



| Contact size | Ø A  | L    | AWG Max. | Max. wire section |
|--------------|------|------|----------|-------------------|
| 20           | 1.16 | 3.17 | 20       | 0.6 mmq           |
| 16           | 1.98 | 4.77 | 16       | 1.2 mmq           |
| 16 - 2.5     | 3.00 | 6.10 | -        | 2.5 mmq           |

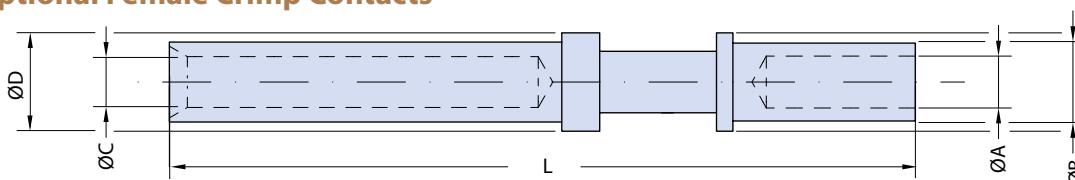
## IPT...C Optional Male Crimp Contacts



| P/N        | Size | mmq | AWG   | A               | B                   | C          | D               | L          |
|------------|------|-----|-------|-----------------|---------------------|------------|-----------------|------------|
| 10-374-20  | 20S  | 0.6 | 20    | 1.30 +0.03<br>0 | 1.93 +0.02<br>-0.02 | 1.00 ±0.02 | 2.0 +0<br>-0.03 | 20.37 ±0.1 |
| 10-375-20  | 20   | 0.6 | 20    | 1.30 +0.03<br>0 | 1.93 +0.02<br>-0.02 | 1.00 ±0.02 | 2.0 +0<br>-0.03 | 24.33 ±0.1 |
| 10-374-16  | 16S  | 1.2 | 16    | 1.72 +0.03<br>0 | 2.60 +0.02<br>-0.02 | 1.57 ±0.02 | 3.2 +0<br>-0.03 | 22.30 ±0.1 |
| 10-375-16  | 16   | 1.2 | 16    | 1.72 +0.03<br>0 | 2.60 +0.02<br>-0.02 | 1.57 ±0.02 | 3.2 +0<br>-0.03 | 25.80 ±0.1 |
| 10-373-12S | 12S  | 2.3 | 14-12 | 2.50 +0.1<br>0  | 3.80 +0.1<br>0      | 2.38 ±0.02 | 4.0 +0<br>-0.03 | 22.50 ±0.1 |

Shell Sizes 8 through 18 use the shorter contacts, designated as 16S and 20S

## IPT...C Optional Female Crimp Contacts



| P/N        | Size | mmq | AWG   | A               | B                   | C          | D                | L          |
|------------|------|-----|-------|-----------------|---------------------|------------|------------------|------------|
| 10-571-20  | 20S  | 0.6 | 20    | 1.30 +0.03<br>0 | 1.93 +0.02<br>-0.02 | 1.08 ±0.02 | 1.96 +0<br>-0.03 | 20.40 ±0.1 |
| 10-573-20  | 20   | 0.6 | 20    | 1.30 +0.03<br>0 | 1.93 +0.02<br>-0.02 | 1.08 ±0.02 | 1.96 +0<br>-0.03 | 24.40 ±0.1 |
| 10-571-16  | 16S  | 1.2 | 16    | 1.72 +0.03<br>0 | 2.60 +0.02<br>-0.02 | 1.65 ±0.02 | 2.80 +0<br>-0.03 | 22.25 ±0.1 |
| 10-573-16  | 16   | 1.2 | 16    | 1.72 +0.03<br>0 | 2.60 +0.02<br>-0.02 | 1.65 ±0.02 | 2.80 +0<br>-0.03 | 25.80 ±0.1 |
| 10-576-12S | 12S  | 2.3 | 14-12 | 2.50 +0.1<br>0  | 3.80 +0.1<br>0      | 2.48 ±0.05 | 4.0 +0<br>-0.01  | 21.45 ±0.1 |

Shell Sizes 8 through 18 use the shorter contacts, designated as 16S and 20S



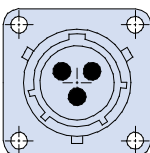
## Glenair IPT Series Insert Arrangement Tables and Alternate Insert Rotation

| Arrangement | Cl. Isol.<br>Rating | Dim. contact size |            |    |
|-------------|---------------------|-------------------|------------|----|
|             |                     | 20                | 16         | 12 |
| 8 - 2       | I                   | 2                 |            |    |
| 8 - 3       | I                   | 3                 |            |    |
| 8 - 3A      | I                   | 3                 |            |    |
| 8 - 4       | I                   | 4                 |            |    |
| 8 - 33      | I                   | 3                 |            |    |
| 10 - 2      | II                  |                   | 2          |    |
| 10 - 6      | I                   | 6                 |            |    |
| 10 - 7      | I                   | 7                 |            |    |
| 10 - 8      | I                   | 8                 |            |    |
| 10 - 98     | I                   | 6                 |            |    |
| 12 - 3      | II                  |                   | 3          |    |
| 12 - 4      | I                   |                   | 4          |    |
| 12 - 8      | I                   | 8                 |            |    |
| 12 - 10     | I                   | 10                |            |    |
| 12 - 14     | I                   | 14                |            |    |
| 12 - A6     | I                   |                   | 6          |    |
| 14 - 4      | I                   |                   |            | 4  |
| 14 - 5      | II                  |                   | 5          |    |
| 14 - 12     | I                   | 8                 | 4          |    |
| 14 - 12/3   | II                  |                   | 12         |    |
| 14 - 14 *   | I                   | 14                |            |    |
| 14 - 15     | I                   | 14                | 1          |    |
| 14 - 18     | I                   | 18                |            |    |
| 14 - 19     | I                   | 19                |            |    |
| 16 - 2**    | I                   |                   | 2 x 16-2.5 |    |
| 16 - 8      | II                  |                   | 8          |    |
| 16 - 23     | I                   | 22                | 1          |    |
| 16 - 26     | I                   | 26                |            |    |
| 16 - 99     | I                   | 21                | 2          |    |
| 18 - 11     | II                  |                   | 11         |    |
| 18 - 32     | I                   | 32                |            |    |
| 20 - 16     | II                  |                   | 16         |    |
| 20 - 39 *   | I                   | 37                | 2          |    |
| 20 - 41     | I                   | 41                |            |    |
| 22 - 21 *   | II                  |                   | 21         |    |
| 22 - 36     | I                   | 36                |            |    |
| 22 - 41     | I                   | 27                | 14         |    |
| 22 - 55     | I                   | 55                |            |    |
| 22 - 95     | I                   | 26                |            | 6  |
| 24 - 61     | I                   | 61                |            |    |

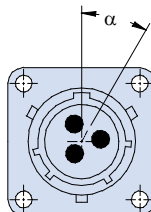
| Arrangement | Degrees |     |     |     |
|-------------|---------|-----|-----|-----|
|             | W       | X   | Y   | Z   |
| 8 - 2       | 58      | 122 |     |     |
| 8 - 3       | 60      | 210 |     |     |
| 8 - 3A      | 60      |     |     |     |
| 8 - 4       | 45      |     |     |     |
| 8 - 33      | 90      |     |     |     |
| 10 - 2      |         |     |     |     |
| 10 - 6      | 90      |     |     |     |
| 10 - 7      | 90      |     |     |     |
| 10 - 8      |         |     |     |     |
| 10 - 98     | 90      | 180 | 240 | 270 |
| 12 - 3      |         |     | 180 |     |
| 12 - 4      | 38      |     |     |     |
| 12 - 8      | 90      | 112 | 203 | 292 |
| 12 - 10     | 60      | 155 | 270 | 295 |
| 12 - 14     | 60      | 155 | 270 | 295 |
| 12 - A6     |         |     |     |     |
| 14 - 4      | 45      |     |     |     |
| 14 - 5      | 40      | 92  | 184 | 273 |
| 14 - 12     | 43      | 90  |     |     |
| 14 - 12/3   |         |     |     |     |
| 14 - 14     | 17      | 110 | 155 | 234 |
| 14 - 15     | 17      | 110 | 155 | 234 |
| 14 - 18     | 15      | 90  | 180 | 270 |
| 14 - 19     | 30      | 165 | 315 |     |
| 16 - 2**    |         |     |     |     |
| 16 - 8      | 54      | 152 | 180 | 331 |
| 16 - 23     | 158     | 270 |     |     |
| 16 - 26     | 60      |     | 275 | 338 |
| 16 - 99     | 66      | 156 | 223 | 340 |
| 18 - 11     | 62      | 119 | 241 | 340 |
| 18 - 32     | 85      | 138 | 222 | 265 |
| 20 - 16     | 238     | 318 | 333 | 347 |
| 20 - 39     | 63      | 144 | 252 | 333 |
| 20 - 41     | 45      | 126 | 225 |     |
| 22 - 21     | 16      | 135 | 175 | 349 |
| 22 - 36     | 72      | 144 | 216 | 288 |
| 22 - 41     | 39      | 135 | 264 |     |
| 22 - 55     | 30      | 142 | 226 | 314 |
| 22 - 95     | 26      | 180 | 266 |     |
| 24 - 61     | 90      | 180 | 270 | 324 |

\* Consult Factory    \*\* Supplied only for classes without grommet

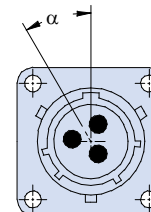
The 3 mating pins are 120° spaced.  
The picture shows a receptacle  
connector. The key orientation  
on plug connectors is clockwise.  
IAW BS9522 F0017.



Normal  
Position

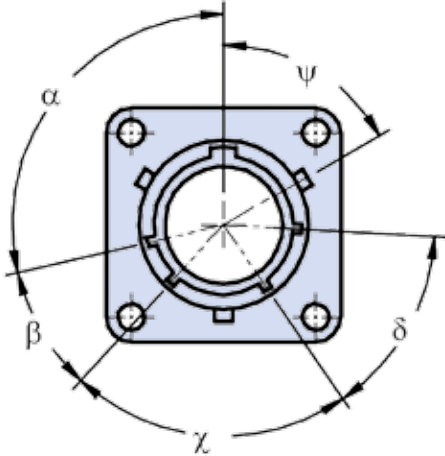


Alternate Position  
with Pin Contacts



Alternate Position  
with Socket Contacts

# Glenair IPT Series Alternate Key Positions



| Shell Size | N Polarization |         |          |          |        |
|------------|----------------|---------|----------|----------|--------|
|            | $\alpha$       | $\beta$ | $\gamma$ | $\delta$ | $\psi$ |
| 8          | 105            | 35      | 75       | 50       | 60     |
| 10         | 105            | 35      | 75       | 50       | 60     |
| 12         | 105            | 35      | 75       | 50       | 60     |
| 14         | 105            | 35      | 75       | 50       | 60     |
| 16         | 105            | 35      | 75       | 50       | 60     |
| 18         | 105            | 35      | 75       | 50       | 60     |
| 20         | 105            | 35      | 75       | 50       | 60     |
| 22         | 105            | 35      | 75       | 50       | 60     |
| 24         | 105            | 35      | 75       | 50       | 60     |

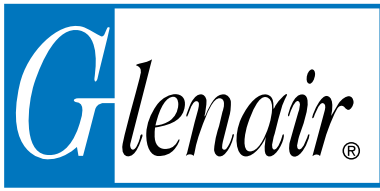
| Shell Size | B Polarization |         |          |          |        |
|------------|----------------|---------|----------|----------|--------|
|            | $\alpha$       | $\beta$ | $\gamma$ | $\delta$ | $\psi$ |
| 8          | -              | -       | -        | -        | -      |
| 10         | 85             | 35      | 75       | 50       | 40     |
| 12         | 89             | 35      | 75       | 50       | 44     |
| 14         | 91             | 35      | 75       | 50       | 46     |
| 16         | 93             | 35      | 75       | 50       | 48     |
| 18         | 95             | 35      | 75       | 50       | 50     |
| 20         | 95             | 35      | 75       | 50       | 50     |
| 22         | 97             | 35      | 75       | 50       | 52     |
| 24         | 97             | 35      | 75       | 50       | 52     |

| Shell Size | C Polarization |         |          |          |        |
|------------|----------------|---------|----------|----------|--------|
|            | $\alpha$       | $\beta$ | $\gamma$ | $\delta$ | $\psi$ |
| 8          | -              | -       | -        | -        | -      |
| 10         | 125            | 35      | 75       | 50       | 80     |
| 12         | 121            | 35      | 75       | 50       | 76     |
| 14         | 119            | 35      | 75       | 50       | 74     |
| 16         | 117            | 35      | 75       | 50       | 72     |
| 18         | 115            | 35      | 75       | 50       | 70     |
| 20         | 115            | 35      | 75       | 50       | 70     |
| 22         | 113            | 35      | 100      | 50       | 68     |
| 24         | 113            | 35      | 75       | 50       | 68     |



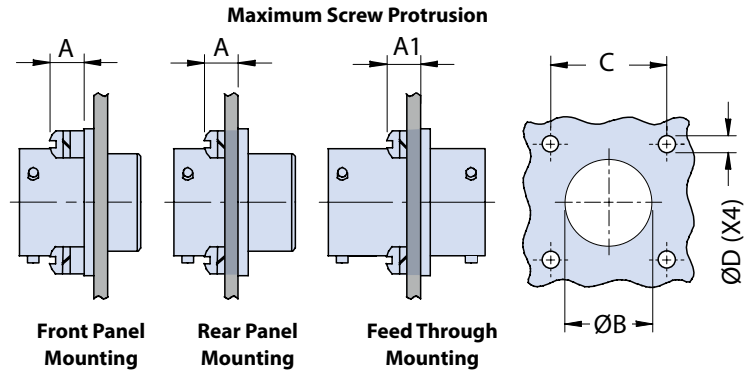
| Shell Size | E Polarization |         |          |          |        |
|------------|----------------|---------|----------|----------|--------|
|            | $\alpha$       | $\beta$ | $\gamma$ | $\delta$ | $\psi$ |
| 8          | 118            | 30      | 100      | 30       | 73     |
| 10         | 115            | 30      | 100      | 30       | 70     |
| 12         | 115            | 30      | 100      | 30       | 70     |
| 14         | 75             | 30      | 100      | 30       | 30     |
| 16         | 75             | 30      | 100      | 30       | 30     |
| 18         | 75             | 30      | 100      | 30       | 30     |
| 20         | 75             | 30      | 100      | 30       | 30     |
| 22         | 75             | 30      | 75       | 30       | 30     |
| 24         | 75             | 30      | 100      | 30       | 30     |

| Shell Size | F Polarization |         |          |          |        |
|------------|----------------|---------|----------|----------|--------|
|            | $\alpha$       | $\beta$ | $\gamma$ | $\delta$ | $\psi$ |
| 8          | 82             | 50      | 75       | 45       | 47     |
| 10         | 85             | 50      | 75       | 45       | 50     |
| 12         | 85             | 50      | 75       | 45       | 50     |
| 14         | 120            | 50      | 75       | 35       | 75     |
| 16         | 120            | 50      | 75       | 35       | 75     |
| 18         | 120            | 50      | 75       | 35       | 75     |
| 20         | 120            | 50      | 75       | 35       | 75     |
| 22         | 120            | 50      | 75       | 35       | 75     |
| 24         | 120            | 50      | 75       | 35       | 75     |

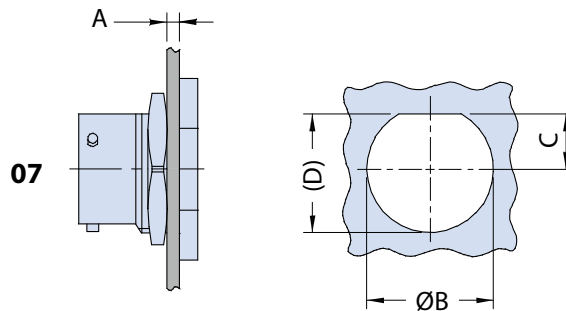


## Glenair IPT Series Bayonet-Lock Signal Connectors (MIL-DTL-26482 Serie I) Fastener Height Requirements and Panel Cutout Dimensions

For front panel mount square flange connectors (00) the "A" dimension indicates the measured maximums that mounting hardware can stand proud from the connector flange before it will interfere with connector mating. For rear box mount square flange connectors (02) the same "A" column maximum dimensions apply, but in this case the measurement taken includes the thickness of the panel wall or box (so the mounting hardware needs to be correspondingly shorter). Column "A1" defines the max dimensions for the bulkhead feedthrough (02PP) before mounting hardware interferes with mating.



| Panel thickness and panel cutout |       |        |              |            |        |          |
|----------------------------------|-------|--------|--------------|------------|--------|----------|
| Shell Size                       | A max | A1 max | ØB +0.2 / -0 |            | C ±0.1 | ØD ±0.12 |
|                                  |       |        | Front Panel  | Rear Panel |        |          |
| 8                                | 2.2   | 5.54   | 12.7         | 15.0       | 15.10  | 3.04     |
| 10                               | 2.2   | 5.54   | 16.0         | 18.0       | 18.25  | 3.04     |
| 12                               | 2.2   | 5.54   | 19.0         | 22.5       | 20.60  | 3.04     |
| 14                               | 2.2   | 5.54   | 22.2         | 25.7       | 23.00  | 3.04     |
| 16                               | 2.2   | 5.54   | 25.5         | 29.0       | 24.60  | 3.04     |
| 18                               | 2.2   | 5.54   | 28.5         | 32.0       | 27.00  | 3.04     |
| 20                               | 5.4   | 8.74   | 31.7         | 35.2       | 29.35  | 3.04     |
| 22                               | 5.4   | 8.74   | 35.0         | 38.5       | 31.75  | 3.04     |
| 24                               | 5.4   | 7.9    | 38.0         | 41.6       | 34.90  | 3.73     |



| Panel thickness and panel cutout for Jam Nut connectors |             |              |              |      |
|---|-------------|--------------|--------------|------|
| Shell Size  | A min - max | ØB +0.2 / -0 | C +0 / -0.25 | (D)  |
| 8   | 1.6 - 3.2   | 14.5         | 6.35         | 13.6 |
| 10  | 1.6 - 3.2   | 17.7         | 7.95         | 16.8 |
| 12  | 1.6 - 3.2   | 22.7         | 9.55         | 20.9 |
| 14  | 1.6 - 3.2   | 25.7         | 11.25        | 24.1 |
| 16  | 1.6 - 3.2   | 28.8         | 12.80        | 27.2 |
| 18  | 1.6 - 3.2   | 32.0         | 14.40        | 30.4 |
| 20  | 1.6 - 6.3   | 35.1         | 16.10        | 33.6 |
| 22  | 1.6 - 3.2   | 38.4         | 17.6         | 36.8 |
| 24  | 1.6 - 3.2   | 41.5         | 19.25        | 40.0 |

# Glenair IPT Series Available Insert Arrangements



IPT Series  
Bayonet Lock  
Connectors

## 2 Contacts



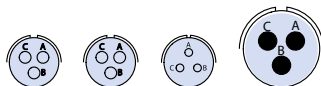
|                 |     |      |
|-----------------|-----|------|
| Arrangement:    | 8-2 | 10-2 |
| Contact Size:   | 20  | 16   |
| Service Rating: | I   | II   |

## 7 Contacts



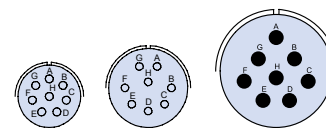
|                 |      |
|-----------------|------|
| Arrangement:    | 10-7 |
| Contact Size:   | 20   |
| Service Rating: | I    |

## 3 Contacts



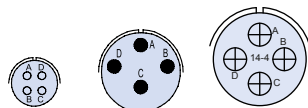
|                 |     |      |      |      |
|-----------------|-----|------|------|------|
| Arrangement:    | 8-3 | 8-3A | 8-33 | 12-3 |
| Contact Size:   | 20  | 20   | 20   | 16   |
| Service Rating: | I   | I    | I    | II   |

## 8 Contacts



|                 |      |      |      |
|-----------------|------|------|------|
| Arrangement:    | 10-8 | 12-8 | 16-8 |
| Contact Size:   | 20   | 20   | 16   |
| Service Rating: | I    | I    | II   |

## 4 Contacts



|                 |     |      |      |
|-----------------|-----|------|------|
| Arrangement:    | 8-4 | 12-4 | 14-4 |
| Contact Size:   | 20  | 16   | 12   |
| Service Rating: | I   | I    | I    |

## 10 Contacts



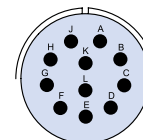
|                 |       |
|-----------------|-------|
| Arrangement:    | 12-10 |
| Contact Size:   | 20    |
| Service Rating: | I     |

## 5 Contacts



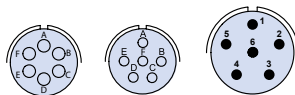
|                 |      |
|-----------------|------|
| Arrangement:    | 14-5 |
| Contact Size:   | 16   |
| Service Rating: | II   |

## 11 Contacts



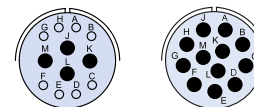
|                 |       |
|-----------------|-------|
| Arrangement:    | 18-11 |
| Contact Size:   | 16    |
| Service Rating: | II    |

## 6 Contacts



|                 |      |       |       |
|-----------------|------|-------|-------|
| Arrangement:    | 10-6 | 10-98 | 12-A6 |
| Contact Size:   | 20   | 20    | 16    |
| Service Rating: | I    | II    | I     |

## 12 Contacts



|                 |            |         |
|-----------------|------------|---------|
| Arrangement:    | 14-12      | 14-12/3 |
| Contact Size:   | 8-20, 4-16 | 16      |
| Service Rating: | I          | I       |

Contact Legend



20



16



12

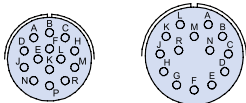
\* Consult Factory

\*\* Supplied only for classes without grommet



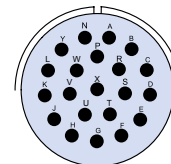
## Glenair IPT Series Available Insert Arrangements

### 14 Contacts



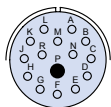
|                 |       |        |
|-----------------|-------|--------|
| Arrangement:    | 12-14 | 14-14* |
| Contact Size:   | 20    | 20     |
| Service Rating: | I     | I      |

### 21 Contacts



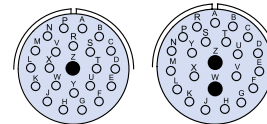
|                 |        |
|-----------------|--------|
| Arrangement:    | 22-21* |
| Contact Size:   | 16     |
| Service Rating: | II     |

### 15 Contacts



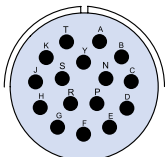
|                 |             |
|-----------------|-------------|
| Arrangement:    | 14-15       |
| Contact Size:   | 14-20, 1-16 |
| Service Rating: | I           |

### 23 Contacts



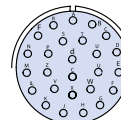
|                 |             |             |
|-----------------|-------------|-------------|
| Arrangement:    | 16-23       | 16-99       |
| Contact Size:   | 22-20, 1-16 | 21-20, 2-16 |
| Service Rating: | I           | I           |

### 16 Contacts



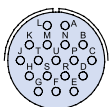
|                 |       |
|-----------------|-------|
| Arrangement:    | 20-16 |
| Contact Size:   | 16    |
| Service Rating: | II    |

### 26 Contacts



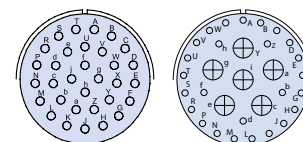
|                 |       |
|-----------------|-------|
| Arrangement:    | 16-26 |
| Contact Size:   | 20    |
| Service Rating: | I     |

### 18 Contacts



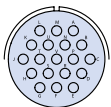
|                 |       |
|-----------------|-------|
| Arrangement:    | 14-18 |
| Contact Size:   | 20    |
| Service Rating: | I     |

### 32 Contacts



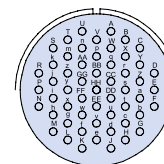
|                 |       |             |
|-----------------|-------|-------------|
| Arrangement:    | 18-32 | 22-95       |
| Contact Size:   | 20    | 26-20, 6-12 |
| Service Rating: | I     | I           |

### 19 Contacts



|                 |       |
|-----------------|-------|
| Arrangement:    | 14-19 |
| Contact Size:   | 20    |
| Service Rating: | I     |

### 36 Contacts



|                 |       |
|-----------------|-------|
| Arrangement:    | 22-36 |
| Contact Size:   | 20    |
| Service Rating: | I     |

Contact Legend



20



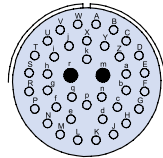
16

\* Consult Factory

# Glenair IPT Series Available Insert Arrangements

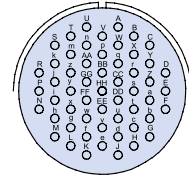


## 39 Contacts



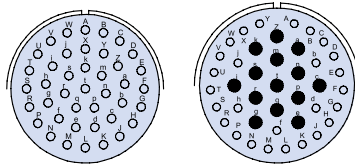
|                 |             |
|-----------------|-------------|
| Arrangement:    | 20-39*      |
| Contact Size:   | 37-20, 2-16 |
| Service Rating: | I           |

## 55 Contacts



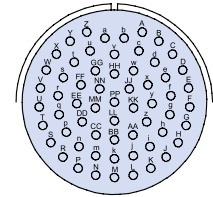
|                 |       |
|-----------------|-------|
| Arrangement:    | 22-55 |
| Contact Size:   | 20    |
| Service Rating: | I     |

## 41 Contacts



|                 |       |              |
|-----------------|-------|--------------|
| Arrangement:    | 20-41 | 22-41        |
| Contact Size:   | 20    | 27-20, 14-16 |
| Service Rating: | I     | I            |

## 61 Contacts



|                 |       |
|-----------------|-------|
| Arrangement:    | 24-61 |
| Contact Size:   | 20    |
| Service Rating: | I     |

Contact  
Legend



20

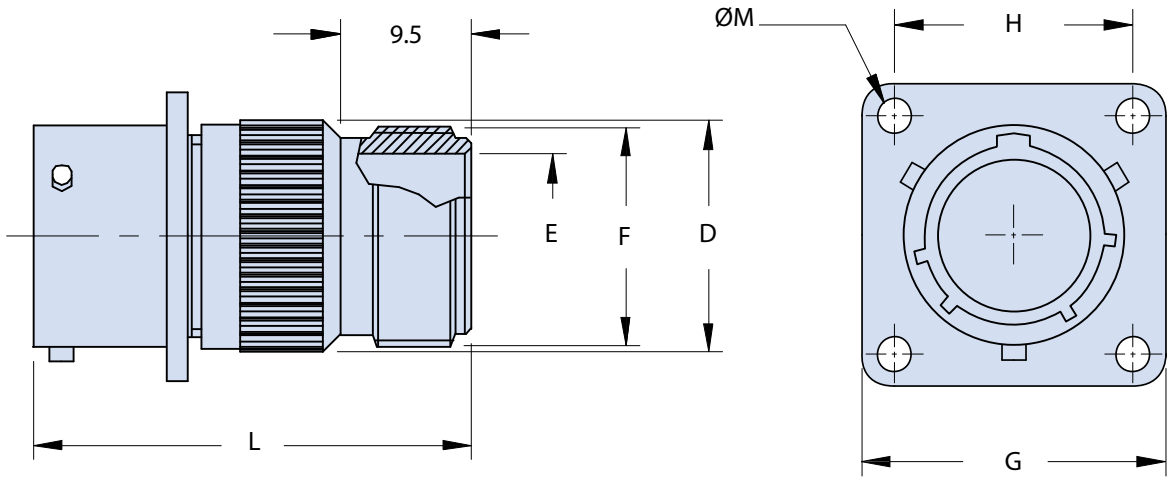
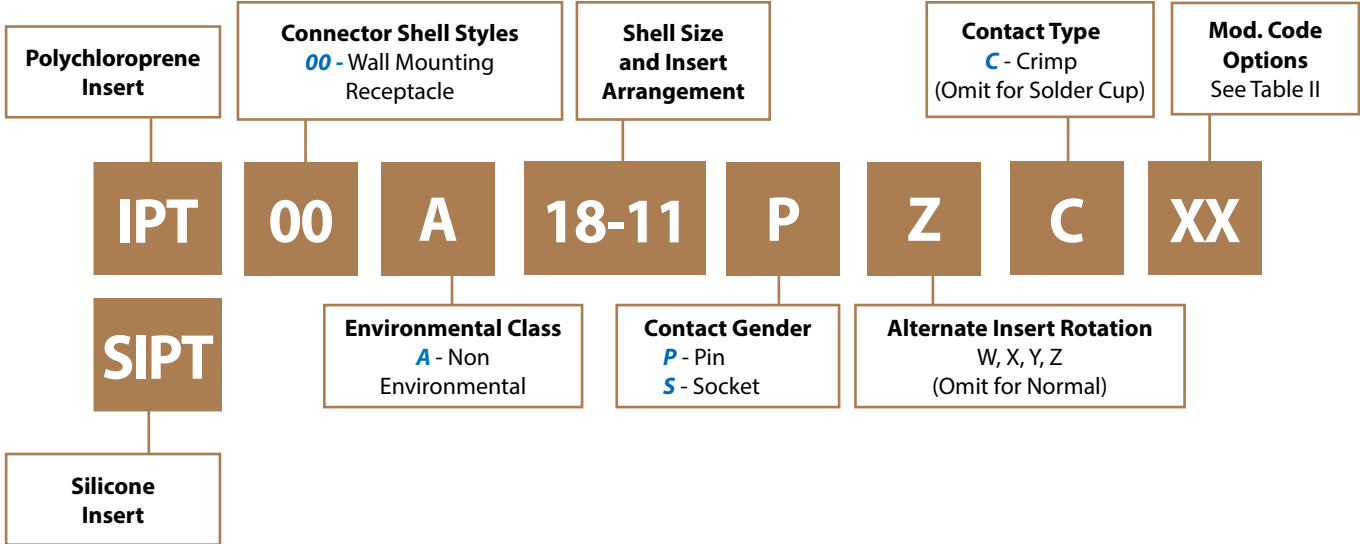


16

\* Consult  
Factory



# IPT 00 A Wall Mounting Receptacle with Backshell

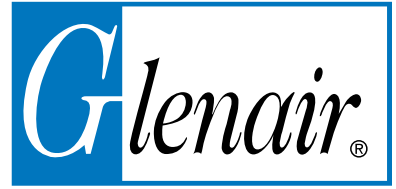


### Application Notes

1. Wall mounting receptacle with backshell for the attachment of additional accessories; through mounting holes.
2. Connector Class "A" (non-environmental)--no grommet supplied.
3. Standard materials configuration consists of aluminum alloy with stainless steel coupling pins.
4. Standard contact material consists of copper alloy with gold plating over nickel.
5. A broad range of other front and rear connector accessories are available. See our website and/or contact factory for complete information.
6. Standard insert is high insulation synthetic rubber.



**IPT 00 A**  
**Wall Mounting Receptacle**  
**with Backshell**



**TABLE I: DIMENSIONS**

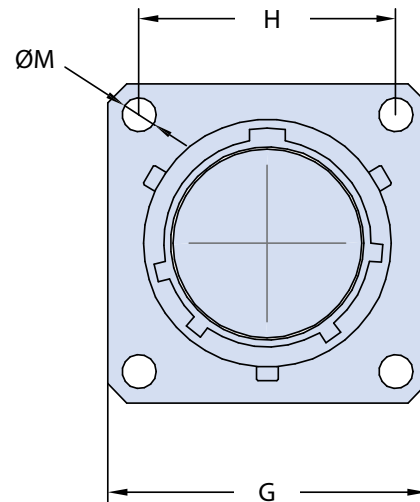
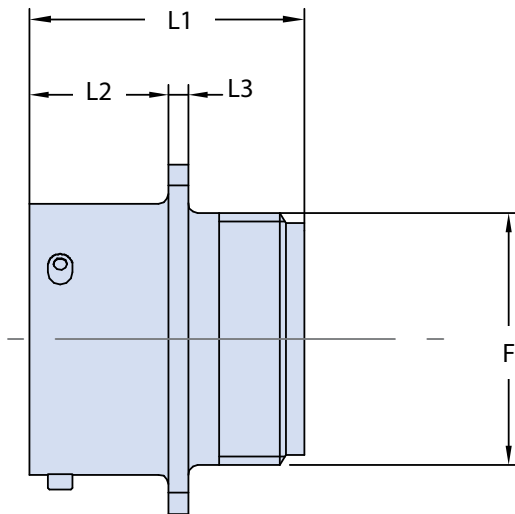
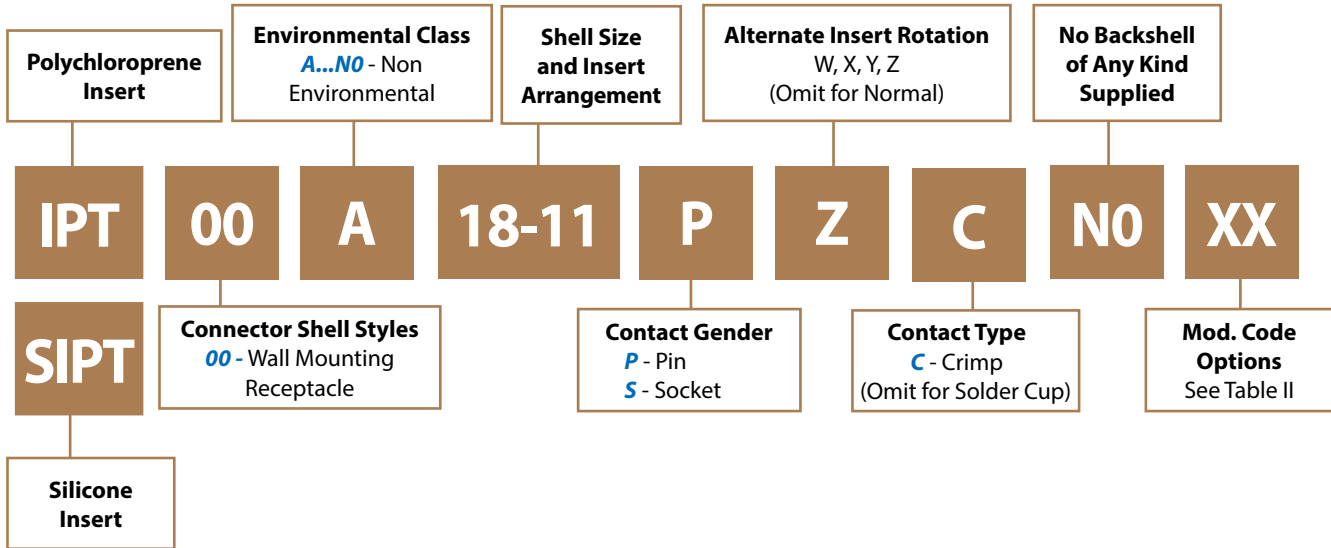
| Shell size | D<br>Max. | E<br>min. | F<br>Thread in inches | G<br>±0.4 | H<br>±0.1 | ØM<br>+0.1<br>0 | L<br>Max. |
|------------|-----------|-----------|-----------------------|-----------|-----------|-----------------|-----------|
| 8          | 15.00     | 7.55      | .5000 - 28 UNEF       | 20.6      | 15.10     | 3.04            | 45.9      |
| 10         | 18.20     | 10.70     | .6250 - 24 UNEF       | 23.8      | 18.25     | 3.04            | 45.9      |
| 12         | 21.20     | 13.85     | .7500 - 20 UNEF       | 26.2      | 20.60     | 3.04            | 45.9      |
| 14         | 24.60     | 16.85     | .8750 - 20 UNEF       | 28.6      | 23.00     | 3.04            | 45.9      |
| 16         | 27.60     | 20.00     | 1.0000 - 20 UNEF      | 31.0      | 24.60     | 3.04            | 45.9      |
| 18         | 30.90     | 22.30     | 1.1875 - 18 UNEF      | 33.3      | 27.00     | 3.04            | 45.9      |
| 20         | 33.80     | 25.75     | 1.1875 - 18 UNEF      | 36.5      | 29.40     | 3.04            | 50.0      |
| 22         | 37.10     | 28.80     | 1.4375 - 18 UNEF      | 39.7      | 31.75     | 3.04            | 50.0      |
| 24         | 40.25     | 32.00     | 1.4375 - 18 UNEF      | 42.8      | 34.92     | 3.73            | 50.0      |

**TABLE II: MODIFICATION CODES**

| CONTACT OPTIONS  |  |
|--|--|
| Sym  | Description  |
| <b>B0</b>  | Connector Without Contacts<br>(Only for crimp version) |
| FINISH OPTIONS   |  |
| Sym  | Description and RoHS compliant                         |
| <b>F6</b>  | Black Electrodeposited Paint                           |
| <b>F7</b>  | Black Zinc Nickel                                      |
| <b>F11</b>   | Electroless Nickel                                     |
| <b>MB</b>  | Marine Bronze  |
| <b>Omit for standard version<br/>(Cadmium Olive Drab Finish)</b> |  |



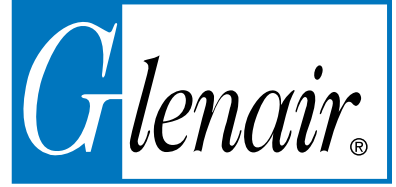
## IPT 00 A...N0 Wall Mounting Receptacle without Backshell



### Application Notes

1. Wall mounting receptacle without backshell with rear thread for the attachment of additional accessories; through mounting holes.
2. Connector Class "A..N0" (non-environmental)—no grommet supplied.
3. Standard materials configuration consists of aluminum alloy with stainless steel coupling pins.
4. Standard contact material consists of copper alloy with gold plating over nickel.
5. A broad range of other front and rear connector accessories are available. See our website and/or contact factory for complete information.
6. Standard insert is high insulation synthetic rubber.

**IPT 00 A...N0**  
**Wall Mounting Receptacle**  
**without Backshell**



**TABLE I: DIMENSIONS**

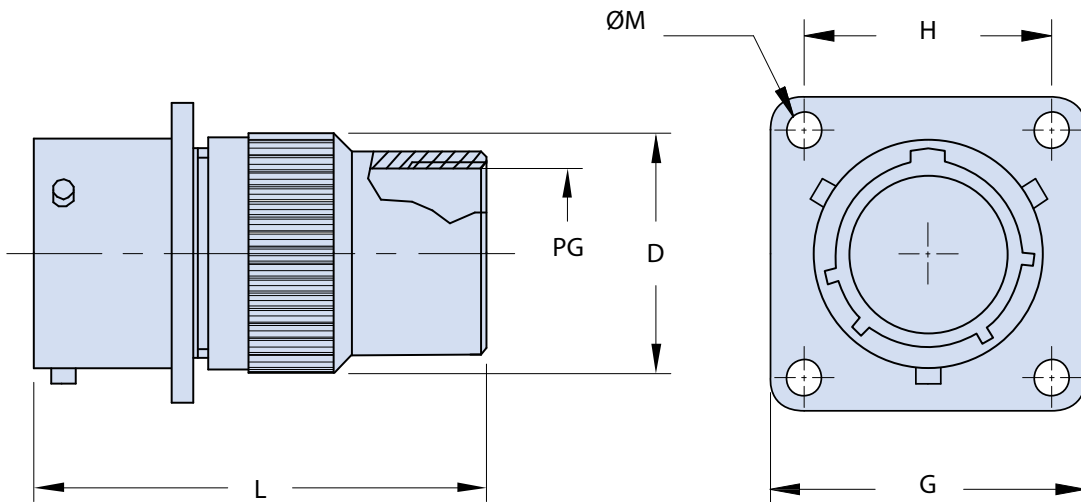
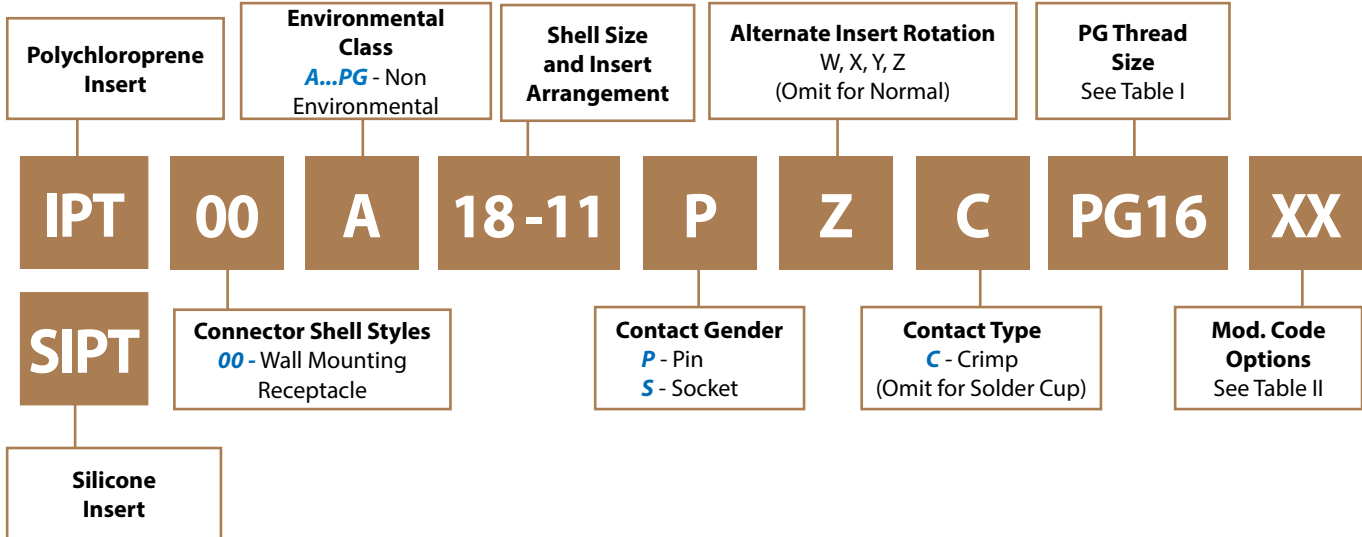
| Shell size | F<br>Thread in inches | G<br>±0.4 | H<br>±0.1 | ØM<br>+0.1<br>0 | L1<br>Max. | L2<br>+0.8<br>-0 | L3<br>Max. |
|------------|-----------------------|-----------|-----------|-----------------|------------|------------------|------------|
| 8          | .4375 - 28 UNEF       | 20.6      | 15.10     | 3.04            | 21.7       | 10.94            | 2.0        |
| 10         | .5625 - 24 UNEF       | 23.8      | 18.25     | 3.04            | 21.4       | 10.94            | 2.0        |
| 12         | .6875 - 20 UNEF       | 26.2      | 20.60     | 3.04            | 21.7       | 10.94            | 2.0        |
| 14         | .8125 - 20 UNEF       | 28.6      | 23.00     | 3.04            | 21.7       | 10.94            | 2.0        |
| 16         | .8375 - 20 UNEF       | 31.0      | 24.60     | 3.04            | 21.4       | 10.94            | 2.0        |
| 18         | 1.0625 - 18 UNEF      | 33.3      | 27.00     | 3.04            | 21.4       | 10.94            | 2.0        |
| 20         | 1.1875 - 18 UNEF      | 36.5      | 29.40     | 3.04            | 27.0       | 14.12            | 2.8        |
| 22         | 1.3125 - 18 UNEF      | 39.7      | 31.75     | 3.04            | 27.0       | 14.12            | 2.8        |
| 24         | 1.4375 - 18 UNEF      | 42.8      | 34.92     | 3.73            | 29.0       | 14.96            | 2.8        |

**TABLE II: MODIFICATION CODES**

| CONTACT OPTIONS  |  |
|--|--|
| Sym  | Description  |
| <b>B0</b>  | Connector Without Contacts<br>(Only for crimp version) |
| FINISH OPTIONS   |  |
| Sym  | Description and RoHS compliant                         |
| <b>F6</b>  | Black Electrodeposited Paint                           |
| <b>F7</b>  | Black Zinc Nickel                                      |
| <b>F11</b>   | Electroless Nickel                                     |
| <b>MB</b>  | Marine Bronze  |
| <b>Omit for standard version<br/>(Cadmium Olive Drab Finish)</b> |  |



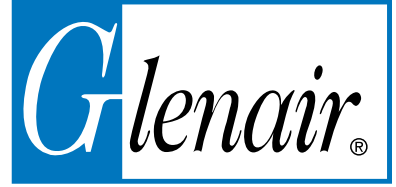
## IPT 00 A...PG\_\_ Wall Mounting Receptacle with PG Threaded Backshell



### Application Notes

1. Wall mounting receptacle with PG threaded backshell. Other PG sizes and types available on request ; through mounting holes.
2. Connector Class "A" (non-environmental)—no grommet supplied.
3. Standard materials configuration consists of aluminum alloy with stainless steel coupling pins.
4. Standard contact material consists of copper alloy with gold plating over nickel.
5. A broad range of other front and rear connector accessories are available. See our website and/or contact factory for complete information.
6. Standard insert is high insulation synthetic rubber.

**IPT 00 A...PG \_ \_**  
**Wall Mounting Receptacle**  
**with PG Threaded Backshell**



**TABLE I: DIMENSIONS**

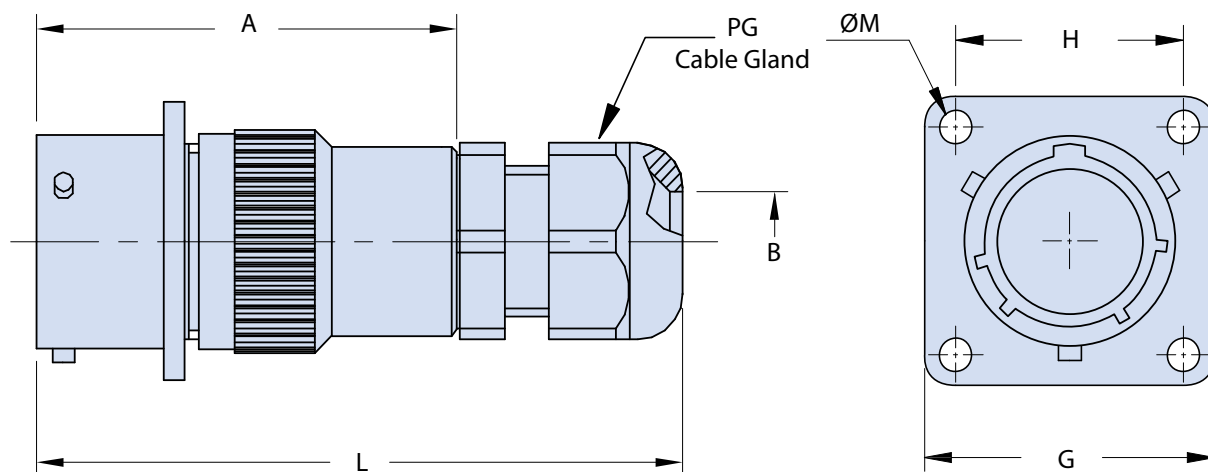
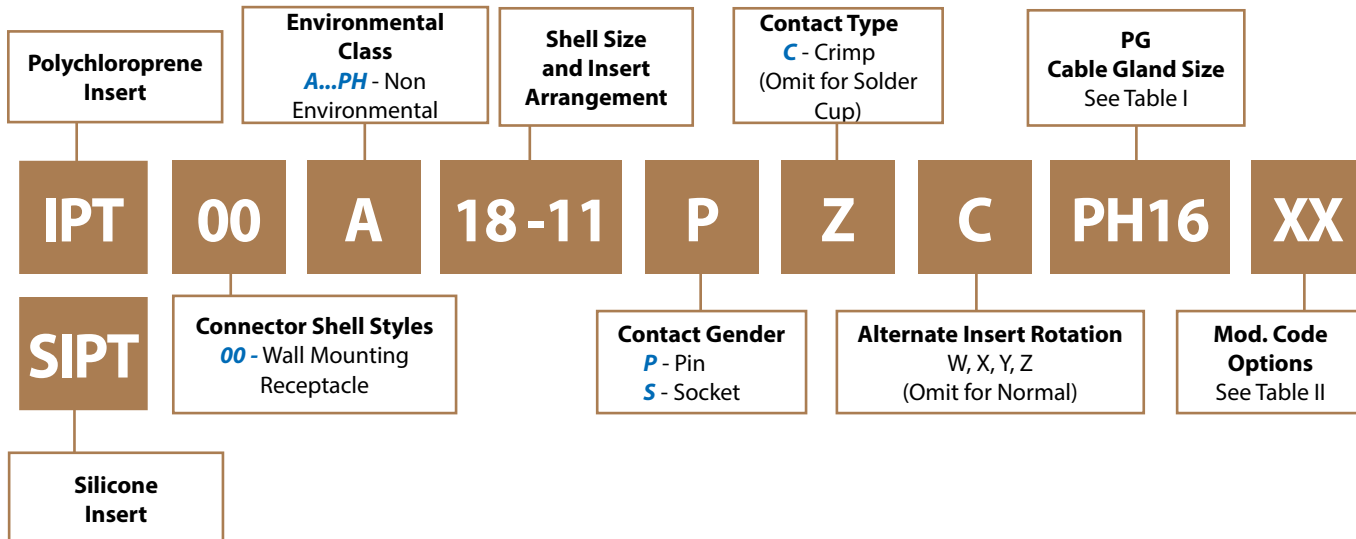
| Shell size | D<br>Max | L<br>Max | PG<br>Thread   | G<br>±0.4 | H<br>±0.1 | ØM<br>+0.1<br>0 |
|------------|----------|----------|----------------|-----------|-----------|-----------------|
| 8          | 18.0     | 41.0     | 7 / 9          | 20.6      | 15.10     | 3.04            |
| 10         | 18.0     | 41.0     | 9              | 23.8      | 18.25     | 3.04            |
| 12         | 23.5     | 51.0     | 11             | 26.2      | 20.60     | 3.04            |
| 14         | 24.5     | 51.0     | 11 / 13.5 / 16 | 28.6      | 23.00     | 3.04            |
| 16         | 28.0     | 56.0     | 11 / 13.5 / 16 | 31.0      | 24.60     | 3.04            |
| 18         | 30.5     | 56.0     | 13.5 / 16      | 33.3      | 27.00     | 3.04            |
| 20         | 33.5     | 58.5     | 13.5 / 16      | 36.5      | 29.40     | 3.04            |
| 22         | 37.0     | 63.5     | 13.5 / 16 / 21 | 39.7      | 31.75     | 3.04            |
| 24         | 40.0     | 66.0     | 13.5 / 16 / 21 | 42.8      | 34.92     | 3.73            |

**TABLE II: MODIFICATION CODES**

| CONTACT OPTIONS  |  |
|--|--|
| Sym  | Description  |
| <b>B0</b>  | Connector Without Contacts<br>(Only for crimp version) |
| FINISH OPTIONS   |  |
| Sym  | Description and RoHS compliant                         |
| <b>F6</b>  | Black Electrodeposited Paint                           |
| <b>F7</b>  | Black Zinc Nickel                                      |
| <b>F11</b>   | Electroless Nickel                                     |
| <b>MB</b>  | Marine Bronze  |
| <b>Omit for standard version<br/>(Cadmium Olive Drab Finish)</b> |  |



## IPT 00 A...PH\_\_ Wall Mounting Receptacle with Backshell and PG Cable Gland



### Application Notes

1. Wall mounting receptacle with backshell and plastic PG cable gland. Other PG sizes and types available upon request; through mounting holes.
2. Connector Class "A" (non-environmental)—no grommet supplied.
3. Standard materials configuration consists of aluminum alloy with stainless steel coupling pins.
4. Standard contact material consists of copper alloy with gold plating over nickel.
5. A broad range of other front and rear connector accessories are available. See our website and/or contact factory for complete information.
6. Standard insert is high insulation synthetic rubber.

**IPT 00 A...PH\_\_**  
**Wall Mounting Receptacle**  
**with Backshell and PG Cable Gland**



**TABLE I: DIMENSIONS**

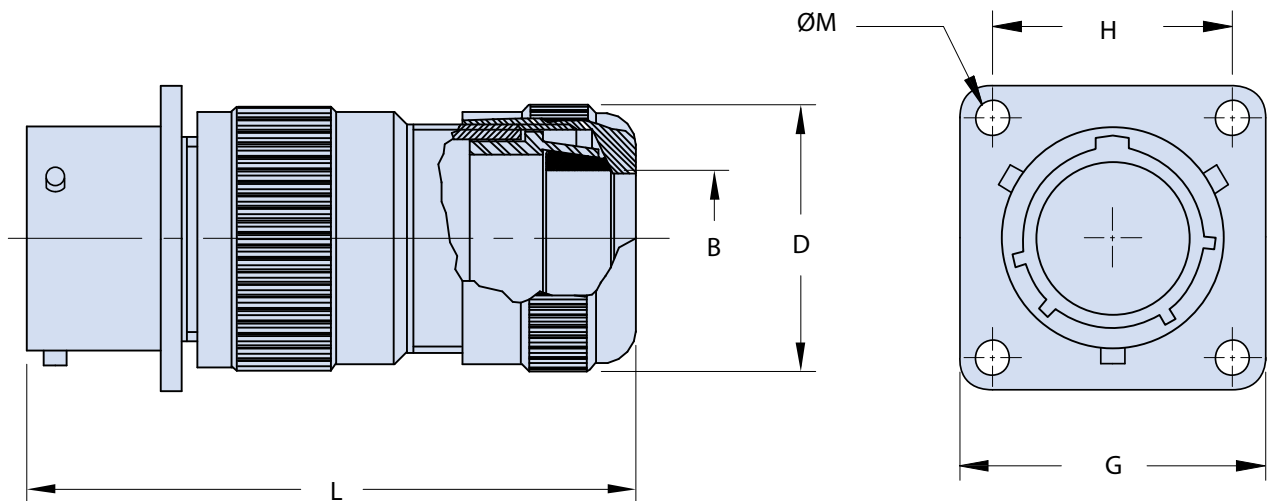
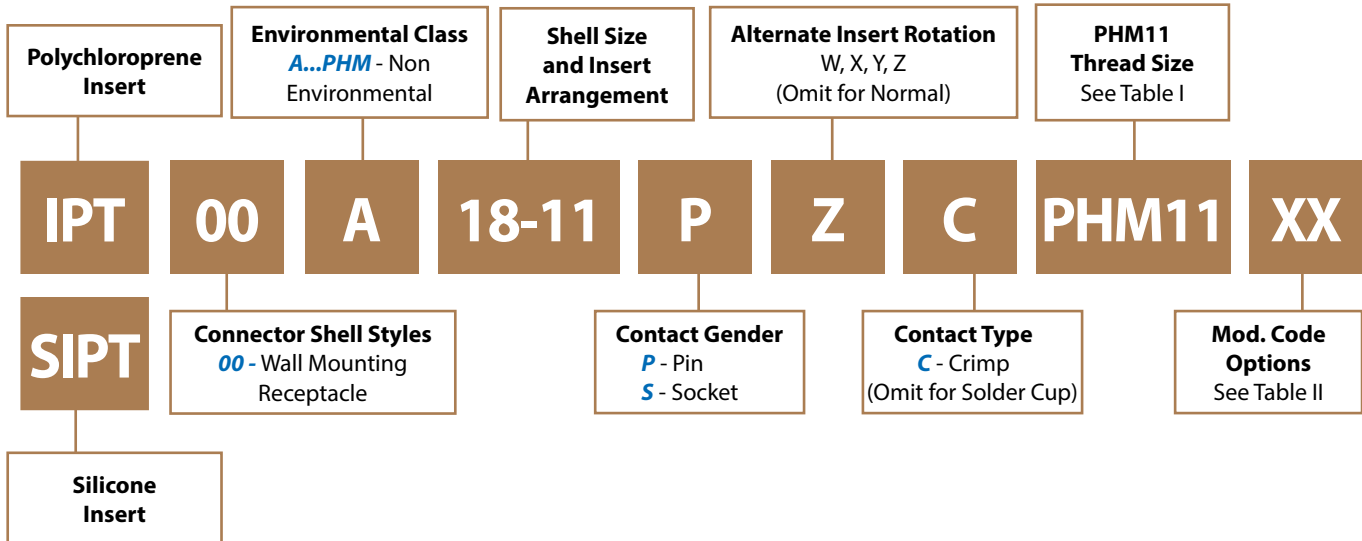
| Shell size | A<br>Max | B<br>min. - max.          | PG<br>Cable Gland<br>Size | L<br>Max. | G<br>±0.4 | H<br>±0.1 | ØM<br>+0.1<br>0 |
|------------|----------|---------------------------|---------------------------|-----------|-----------|-----------|-----------------|
| 8          | 41.0     | 3 - 6.5 / 4 - 8           | 7 / 9                     | 65.00     | 20.6      | 15.10     | 3.04            |
| 10         | 41.0     | 4 - 8                     | 9                         | 65.00     | 23.8      | 18.25     | 3.04            |
| 12         | 51.0     | 5 - 10                    | 11                        | 77.50     | 26.2      | 20.60     | 3.04            |
| 14         | 51.0     | 5 - 10 / 6 - 12 / 9 - 14  | 11 / 13.5 / 16            | 81.00     | 28.6      | 23.00     | 3.04            |
| 16         | 56.0     | 5 - 10 / 6 - 12 / 9 - 14  | 11 / 13.5 / 16            | 86.00     | 31.0      | 24.60     | 3.04            |
| 18         | 56.0     | 6 - 12 / 9 - 14           | 13.5 / 16                 | 86.00     | 33.3      | 27.00     | 3.04            |
| 20         | 58.5     | 6 - 12 / 9 - 14           | 13.5 / 16                 | 88.50     | 36.5      | 29.40     | 3.04            |
| 22         | 63.5     | 6 - 12 / 9 - 14 / 13 - 18 | 13.5 / 16 / 21            | 99.50     | 39.7      | 31.75     | 3.04            |
| 24         | 66.0     | 6 - 12 / 9 - 14 / 13 - 18 | 13.5 / 16 / 21            | 102.00    | 42.8      | 34.92     | 3.73            |

**TABLE II: MODIFICATION CODES**

| CONTACT OPTIONS  |  |
|--|--|
| Sym  | Description  |
| <b>B0</b>  | Connector Without Contacts<br>(Only for crimp version) |
| FINISH OPTIONS   |  |
| Sym  | Description and RoHS compliant                         |
| <b>F6</b>  | Black Electrodeposited Paint                           |
| <b>F7</b>  | Black Zinc Nickel                                      |
| <b>F11</b>   | Electroless Nickel                                     |
| <b>MB</b>  | Marine Bronze  |
| <b>Omit for standard version<br/>(Cadmium Olive Drab Finish)</b> |  |



**IPT 00 A...PHM\_\_**  
**Wall Mounting Receptacle**  
**with PHM Backshell**  
**and Sleeves to Accommodate Various Cable Sizes**

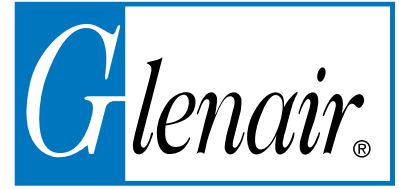


**Application Notes**

1. Wall mounting receptacle with backshell and PHM cable clamp. Rubber sleeves included to allow use of different cable diameters. Through mounting holes.
2. Connector Class "A" (non-environmental)—no grommet supplied.
3. Standard materials configuration consists of aluminum alloy with stainless steel coupling pins.
4. Standard contact material consists of copper alloy with gold plating over nickel.
5. A broad range of other front and rear connector accessories are available. See our website and/or contact factory for complete information.
6. Standard insert is high insulation synthetic rubber.



**IPT 00 A...PHM\_\_**  
**Wall Mounting Receptacle**  
**with PHM Backshell**  
**and Sleeves to Accommodate Various Cable Sizes**



**TABLE I: DIMENSIONS**

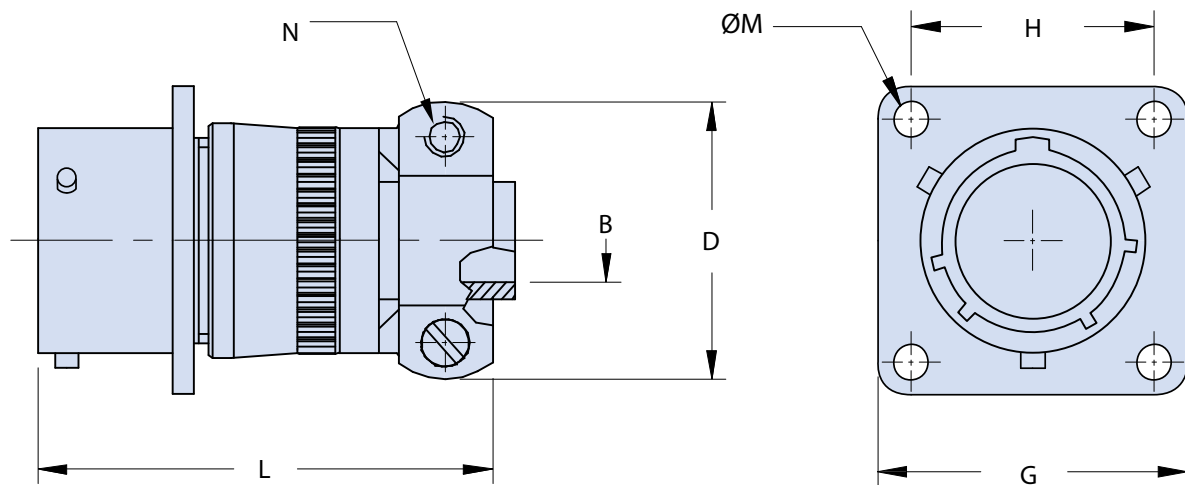
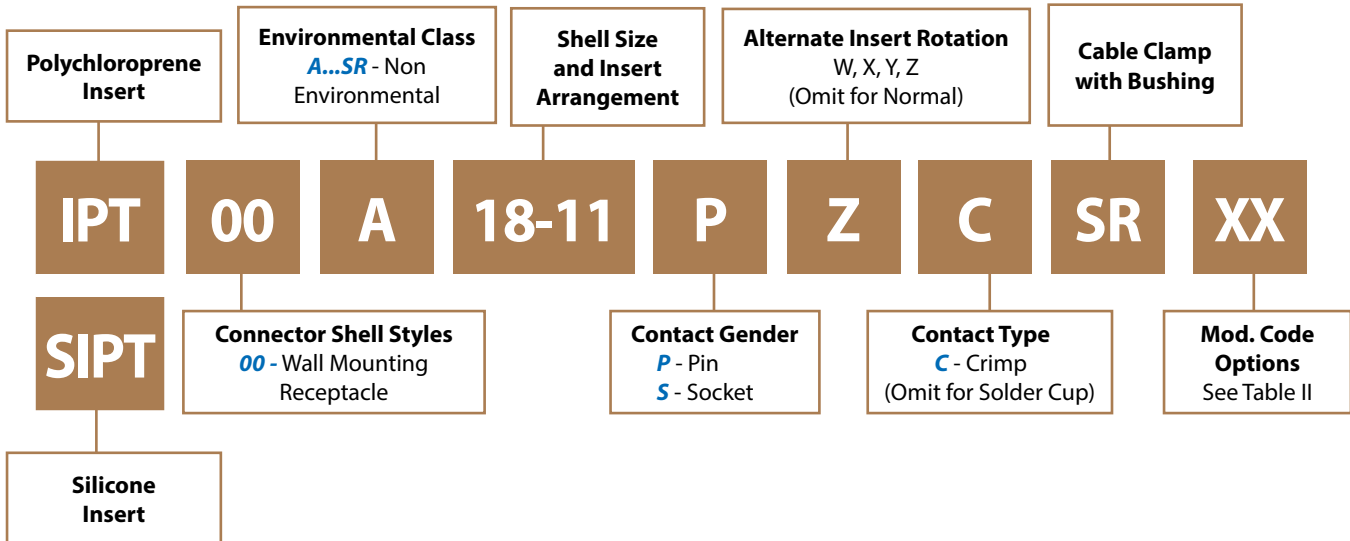
| Shell size | P.N. PHM     | B<br>min. - max.             | D<br>Max. | G<br>±0.4 | H<br>±0.1 | ØM<br>+0.1<br>0 | L<br>Max. |
|------------|--------------|------------------------------|-----------|-----------|-----------|-----------------|-----------|
| 8          | 7            | 2 - 7                        | 15.0      | 20.6      | 15.10     | 3.04            | 55.0      |
| 10         | 9            | 2 - 9                        | 21.0      | 23.8      | 18.25     | 3.04            | 55.0      |
| 12         | 11           | 2 - 11                       | 24.0      | 26.2      | 20.60     | 3.04            | 65.0      |
| 14         | 11           | 2 - 11                       | 24.0      | 28.6      | 23.00     | 3.04            | 65.0      |
| 16         | 11           | 2 - 11                       | 24.0      | 31.0      | 24.60     | 3.04            | 65.0      |
| 18         | 11 / 18      | 2 - 11 / 9 - 16.5            | 42.0      | 33.3      | 27.00     | 3.04            | 80.0      |
| 20         | 18           | 9 - 16.5                     | 42.0      | 36.5      | 29.40     | 3.04            | 81.5      |
| 22         | 18           | 9 - 16.5                     | 42.0      | 39.7      | 31.75     | 3.04            | 81.5      |
| 24         | 18 / 22 / 24 | 9 - 16.5 / 15 - 20 / 19 - 24 | 42.0      | 42.8      | 34.92     | 3.73            | 82.0      |

**TABLE II: MODIFICATION CODES**

| CONTACT OPTIONS  |  |
|--|--|
| Sym  | Description  |
| <b>B0</b>  | Connector Without Contacts<br>(Only for crimp version) |
| FINISH OPTIONS   |  |
| Sym  | Description and RoHS compliant                         |
| <b>F6</b>  | Black Electrodeposited Paint                           |
| <b>F7</b>  | Black Zinc Nickel                                      |
| <b>F11</b>   | Electroless Nickel                                     |
| <b>MB</b>  | Marine Bronze  |
| <b>Omit for standard version<br/>(Cadmium Olive Drab Finish)</b> |  |

# IPT 00 A...SR

## Wall Mounting Receptacle with Backshell, Bushing and Cable Clamp



### Application Notes

1. Wall mounting receptacle with backshell, bushing and cable clamp; through mounting holes.
2. Connector Class "A" (non-environmental)—no grommet supplied.
3. Standard materials configuration consists of aluminum alloy with stainless steel coupling pins.
4. Standard contact material consists of copper alloy with gold plating over nickel.
5. A broad range of other front and rear connector accessories are available. See our website and/or contact factory for complete information.
6. Standard insert is high insulation synthetic rubber.

**IPT 00 A...SR**  
**Wall Mounting Receptacle**  
**with Backshell, Bushing and Cable Clamp**



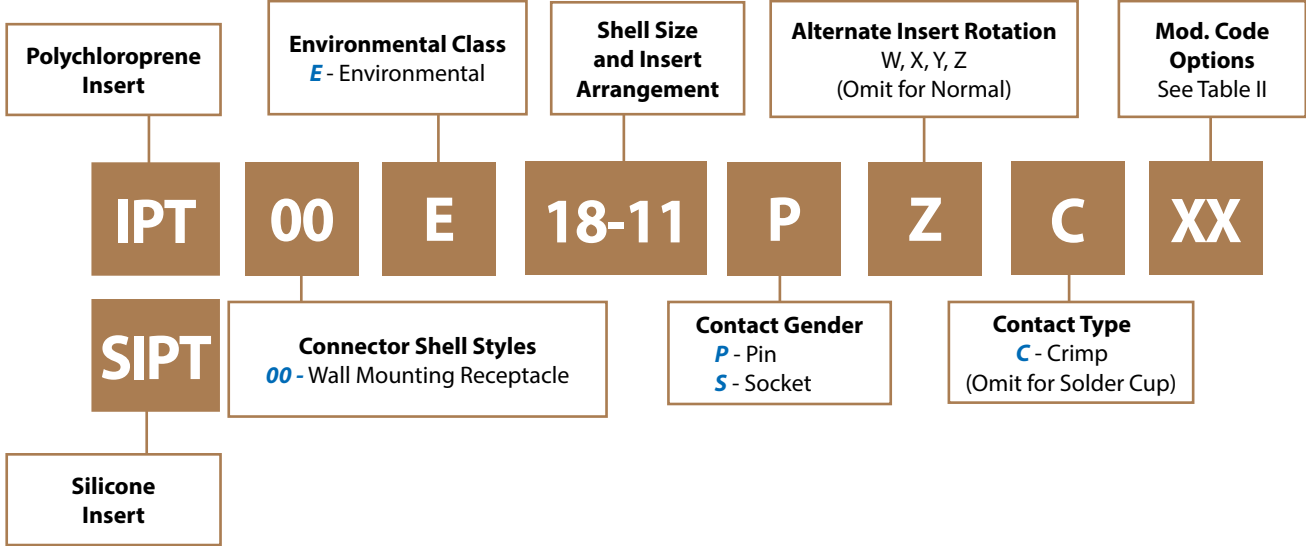
**TABLE I: DIMENSIONS**

| Shell size | B<br>±0.25 | D<br>±0.2 | G<br>±0.4 | H<br>±0.1 | ØM<br>+0.1<br>0 | L<br>Max. | N<br>Thread |
|------------|------------|-----------|-----------|-----------|-----------------|-----------|-------------|
| 8          | 3.2        | 19.10     | 20.6      | 15.10     | 3.04            | 48.5      | 6 - 32      |
| 10         | 4.8        | 20.70     | 23.8      | 18.25     | 3.04            | 48.5      | 6 - 32      |
| 12         | 7.9        | 23.90     | 26.2      | 20.60     | 3.04            | 48.5      | 6 - 32      |
| 14         | 9.5        | 27.00     | 28.6      | 23.00     | 3.04            | 48.5      | 6 - 32      |
| 16         | 12.7       | 28.60     | 31.0      | 24.60     | 3.04            | 52.0      | 6 - 32      |
| 18         | 15.9       | 35.00     | 33.3      | 27.00     | 3.04            | 52.0      | 8 - 32      |
| 20         | 15.9       | 35.00     | 36.5      | 29.40     | 3.04            | 60.5      | 8 - 32      |
| 22         | 19.0       | 39.75     | 39.7      | 31.75     | 3.04            | 60.5      | 8 - 32      |
| 24         | 20.3       | 42.10     | 42.8      | 34.92     | 3.73            | 63.0      | 8 - 32      |

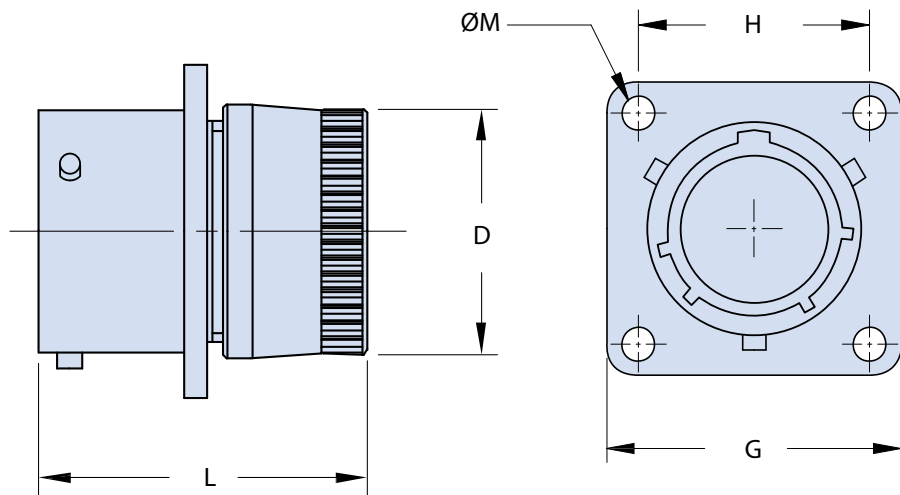
**TABLE II: MODIFICATION CODES**

| CONTACT OPTIONS  |  |
|--|--|
| Sym  | Description  |
| <b>B0</b>  | Connector Without Contacts<br>(Only for crimp version) |
| FINISH OPTIONS   |  |
| Sym  | Description and RoHS compliant                         |
| <b>F6</b>  | Black Electrodeposited Paint                           |
| <b>F7</b>  | Black Zinc Nickel                                      |
| <b>F11</b>   | Electroless Nickel                                     |
| <b>MB</b>  | Marine Bronze  |
| <b>Omit for standard version<br/>(Cadmium Olive Drab Finish)</b> |  |

# IPT 00 E Wall Mounting Receptacle with General Duty Backshell



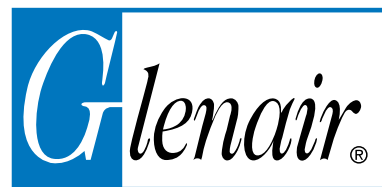
C



### Application Notes

1. Wall mounting receptacle includes sealing grommet and backshell for use with individual wires. Through mounting holes.
2. Connector Class "E" (environmental)—Wire sealing grommet supplied.
3. Standard materials configuration consists of aluminum alloy with stainless steel coupling pins.
4. Standard contact material consists of copper alloy with gold plating over nickel.
5. A broad range of other front and rear connector accessories are available. See our website and/or contact factory for complete information.
6. Standard insert is high insulation synthetic rubber.

**IPT 00 E**  
**Wall Mounting Receptacle**  
**with General Duty Backshell**



**TABLE I: DIMENSIONS**

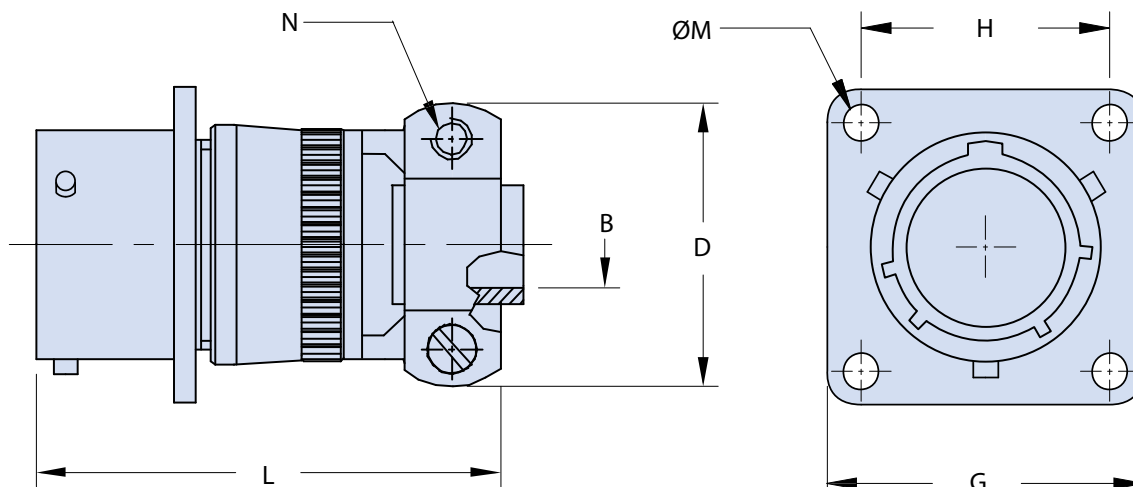
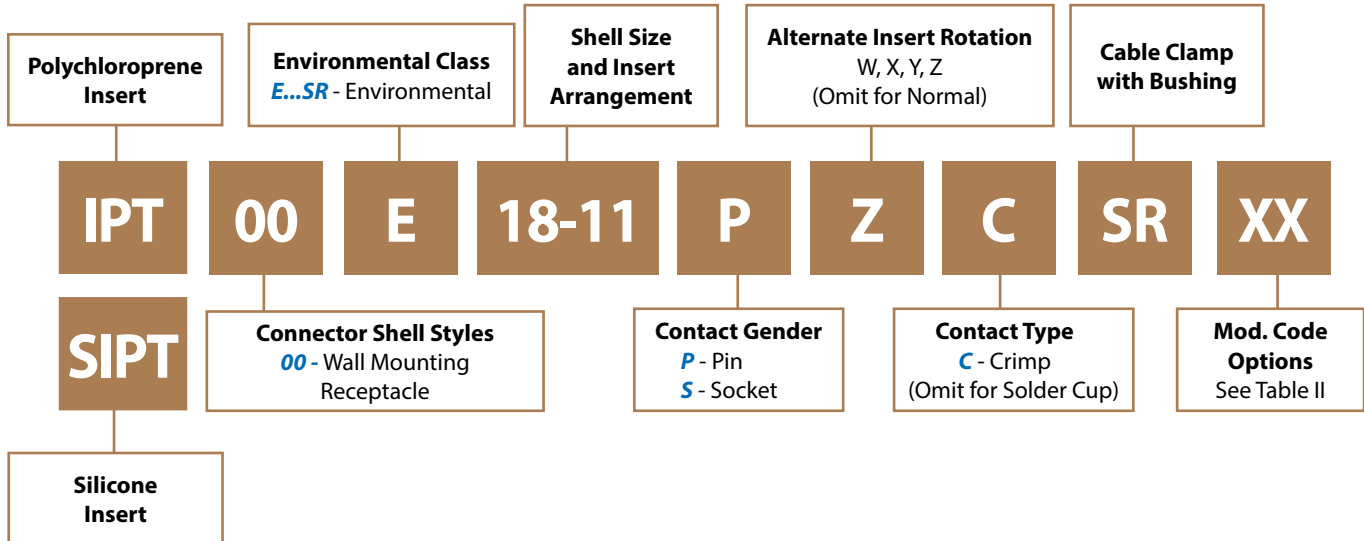
| Shell size | D<br>Max. | G<br>±0.4 | H<br>±0.1 | ØM<br>+0.1<br>0 | L<br>Max. |
|------------|-----------|-----------|-----------|-----------------|-----------|
| 8          | 14.20     | 20.6      | 15.10     | 3.04            | 32.15     |
| 10         | 17.40     | 23.8      | 18.25     | 3.04            | 32.15     |
| 12         | 20.65     | 26.2      | 20.60     | 3.04            | 32.15     |
| 14         | 23.60     | 28.6      | 23.00     | 3.04            | 32.15     |
| 16         | 26.85     | 31.0      | 24.60     | 3.04            | 32.15     |
| 18         | 29.85     | 33.3      | 27.00     | 3.04            | 32.15     |
| 20         | 33.00     | 36.5      | 29.40     | 3.04            | 38.50     |
| 22         | 36.30     | 39.7      | 31.75     | 3.04            | 38.50     |
| 24         | 39.50     | 42.8      | 34.92     | 3.73            | 40.10     |

**TABLE II: MODIFICATION CODES**

| CONTACT OPTIONS  |  |
|--|--|
| Sym  | Description  |
| <b>B0</b>  | Connector Without Contacts<br>(Only for crimp version) |
| FINISH OPTIONS   |  |
| Sym  | Description and RoHS compliant                         |
| <b>F6</b>  | Black Electrodeposited Paint                           |
| <b>F7</b>  | Black Zinc Nickel                                      |
| <b>F11</b>   | Electroless Nickel                                     |
| <b>MB</b>  | Marine Bronze  |
| <b>Omit for standard version<br/>(Cadmium Olive Drab Finish)</b> |  |

# IPT 00 E...SR

## Wall Mounting Receptacle with Backshell, Cable Clamp and Bushing



### Application Notes

1. Wall mounting receptacle with cable clamp and bushing for cable protection; through mounting holes.
2. Connector Class "E" (environmental)—Wire sealing grommet supplied.
3. Standard materials configuration consists of aluminum alloy with stainless steel coupling pins.
4. Standard contact material consists of copper alloy with gold plating over nickel.
5. A broad range of other front and rear connector accessories are available. See our website and/or contact factory for complete information.
6. Standard insert is high insulation synthetic rubber.

**IPT 00 E...SR**  
**Wall Mounting Receptacle**  
**with Backshell, Cable Clamp and Bushing**



**TABLE I: DIMENSIONS**

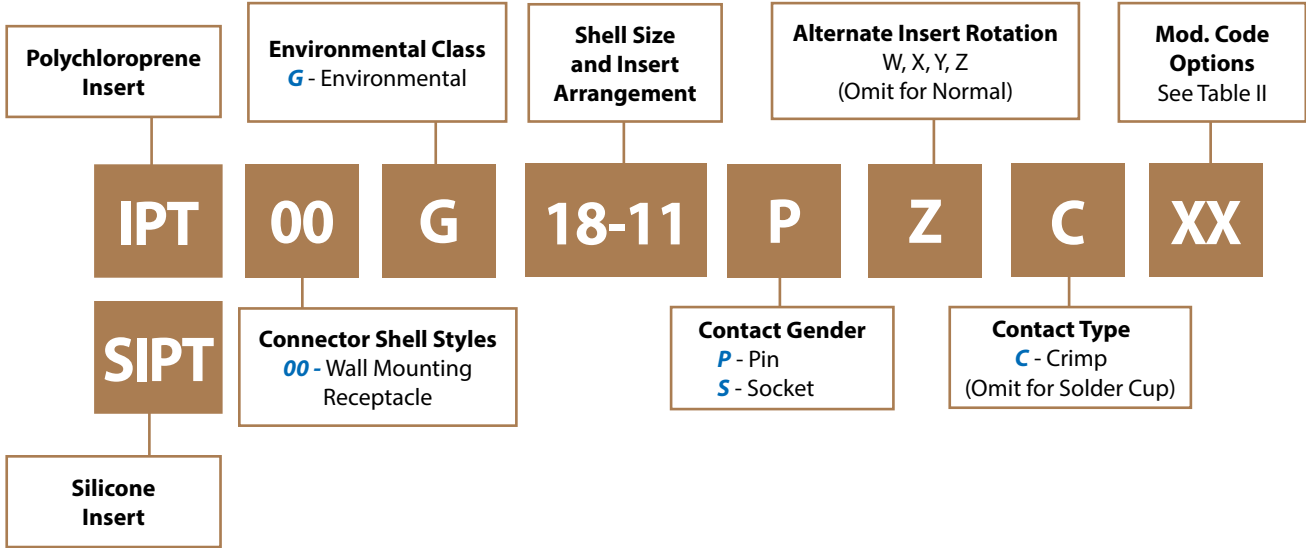
| Shell size | B<br>±0.25 | D<br>±0.2 | G<br>±0.4 | H<br>±0.1 | ØM<br>+0.1<br>0 | L<br>Max. | N<br>Thread |
|------------|------------|-----------|-----------|-----------|-----------------|-----------|-------------|
| 8          | 3.2        | 19.10     | 20.6      | 15.10     | 3.04            | 48.5      | 6 - 32      |
| 10         | 4.8        | 20.70     | 23.8      | 18.25     | 3.04            | 48.5      | 6 - 32      |
| 12         | 7.9        | 23.90     | 26.2      | 20.60     | 3.04            | 48.5      | 6 - 32      |
| 14         | 9.5        | 27.00     | 28.6      | 23.00     | 3.04            | 48.5      | 6 - 32      |
| 16         | 12.7       | 28.60     | 31.0      | 24.60     | 3.04            | 52.0      | 6 - 32      |
| 18         | 15.9       | 35.00     | 33.3      | 27.00     | 3.04            | 52.0      | 8 - 32      |
| 20         | 15.9       | 35.00     | 36.5      | 29.40     | 3.04            | 60.5      | 8 - 32      |
| 22         | 19.0       | 39.75     | 39.7      | 31.75     | 3.04            | 60.5      | 8 - 32      |
| 24         | 20.3       | 42.10     | 42.8      | 34.92     | 3.73            | 63.0      | 8 - 32      |

**TABLE II: MODIFICATION CODES**

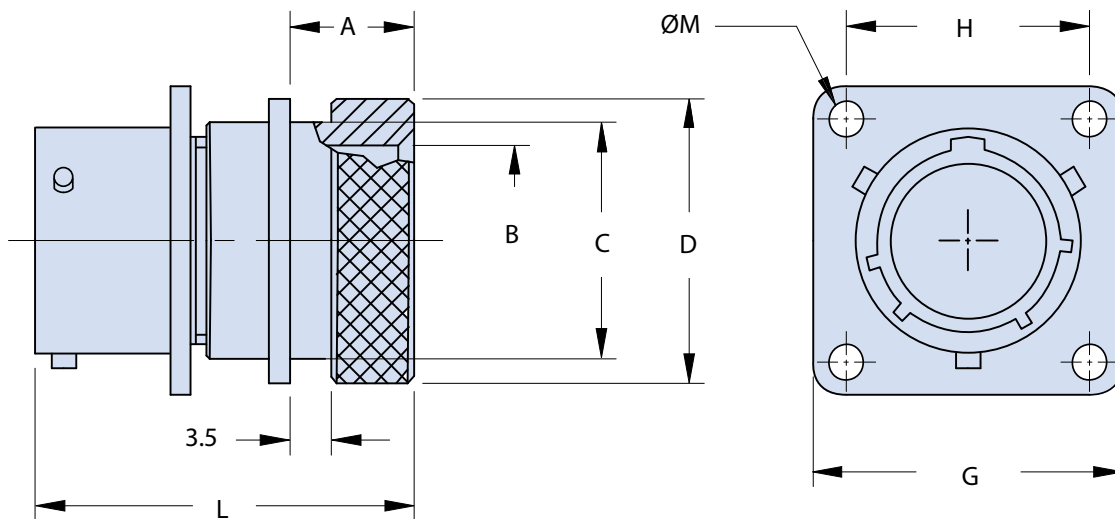
| CONTACT OPTIONS  |  |
|--|--|
| Sym  | Description  |
| <b>B0</b>  | Connector Without Contacts<br>(Only for crimp version) |
| FINISH OPTIONS   |  |
| Sym  | Description and RoHS compliant                         |
| <b>F6</b>  | Black Electrodeposited Paint                           |
| <b>F7</b>  | Black Zinc Nickel                                      |
| <b>F11</b>   | Electroless Nickel                                     |
| <b>MB</b>  | Marine Bronze  |
| <b>Omit for standard version<br/>(Cadmium Olive Drab Finish)</b> |  |



# IPT 00 G Wall Mounting Receptacle with Shrink Boot Backshell



C

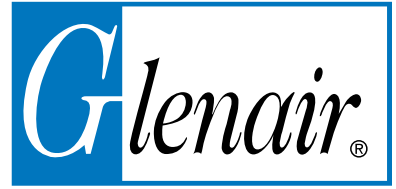


### Application Notes

1. Wall mounting receptacle with backshell for heat shrink boot; through mounting holes.
2. Connector Class "G" (environmental)—Wire sealing grommet supplied.
3. Standard materials configuration consists of aluminum alloy with stainless steel coupling pins.
4. Standard contact material consists of copper alloy with gold plating over nickel.
5. A broad range of other front and rear connector accessories are available. See our website and/or contact factory for complete information.
6. Standard insert is high insulation synthetic rubber.



**IPT 00 G**  
**Wall Mounting Receptacle**  
**with Shrink Boot Backshell**



**TABLE I: DIMENSIONS**

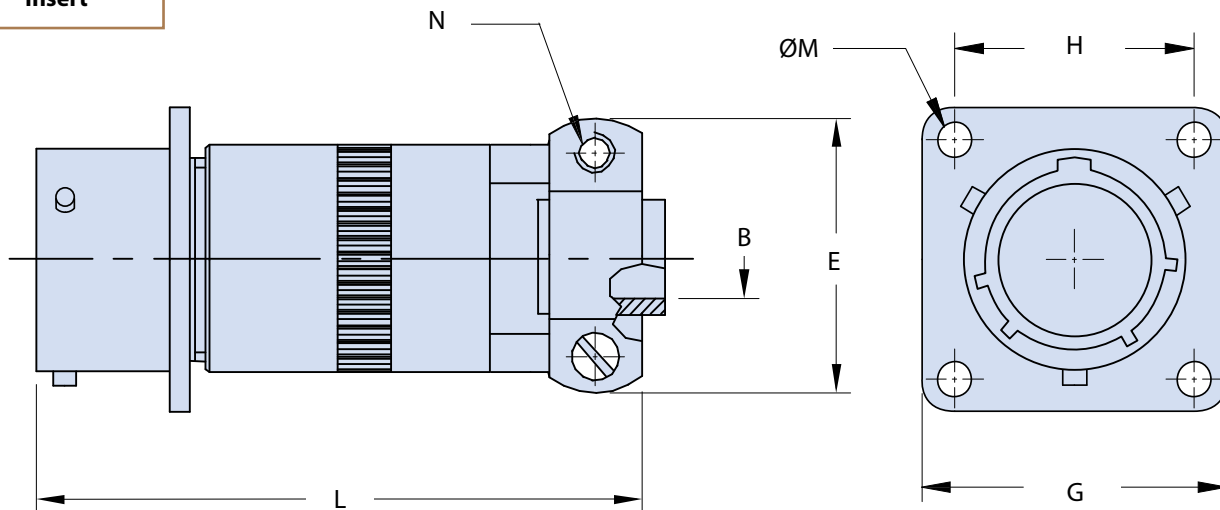
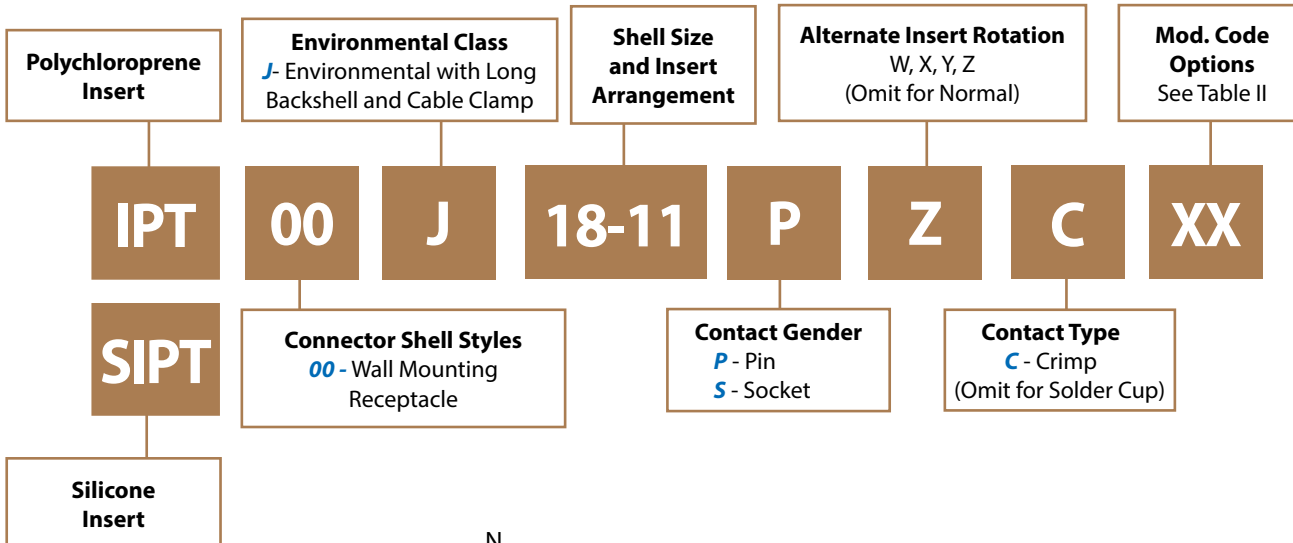
| Shell size | A<br>±0.1 | B<br>+0.1<br>-0 | C<br>+0<br>-0.1 | D<br>+0<br>-0.3 | G<br>±0.4 | H<br>±0.1 | ØM<br>+0.1<br>0 | L<br>Max. |
|------------|-----------|-----------------|-----------------|-----------------|-----------|-----------|-----------------|-----------|
| 8          | 12.2      | 8.20            | 13.0            | 15.5            | 20.6      | 15.10     | 3.04            | 43.5      |
| 10         | 12.2      | 11.40           | 15.8            | 18.3            | 23.8      | 18.25     | 3.04            | 42.0      |
| 12         | 12.2      | 14.55           | 21.0            | 23.6            | 26.2      | 20.60     | 3.04            | 42.0      |
| 14         | 12.2      | 17.50           | 21.8            | 24.4            | 28.6      | 23.00     | 3.04            | 42.0      |
| 16         | 14.5      | 20.60           | 25.9            | 29.7            | 31.0      | 24.60     | 3.04            | 44.0      |
| 18         | 14.5      | 23.15           | 28.2            | 31.9            | 33.3      | 27.00     | 3.04            | 44.5      |
| 20         | 15.8      | 26.50           | 32.2            | 36.0            | 36.5      | 29.40     | 3.04            | 48.5      |
| 22         | 15.8      | 29.60           | 34.5            | 38.4            | 39.7      | 31.75     | 3.04            | 48.5      |
| 24         | 14.9      | 32.80           | 37.6            | 41.5            | 42.8      | 34.92     | 3.73            | 48.5      |

**TABLE II: MODIFICATION CODES**

| CONTACT OPTIONS  |  |
|--|--|
| Sym  | Description  |
| <b>B0</b>  | Connector Without Contacts<br>(Only for crimp version) |
| FINISH OPTIONS   |  |
| Sym  | Description and RoHS compliant                         |
| <b>F6</b>  | Black Electrodeposited Paint                           |
| <b>F7</b>  | Black Zinc Nickel                                      |
| <b>F11</b>   | Electroless Nickel                                     |
| <b>MB</b>  | Marine Bronze  |
| <b>Omit for standard version<br/>(Cadmium Olive Drab Finish)</b> |  |

# IPT 00 J

## Wall Mounting Receptacle with Long Backshell and Cable Clamp



### Application Notes

1. Wall mounting receptacle with backshell incorporated metal sleeve and cable clamp; through mounting holes.
2. Connector/Backshell Class "J" (environmental)—No grommet supplied.
3. Standard materials configuration consists of aluminum alloy with stainless steel coupling pins.
4. Standard contact material consists of copper alloy with gold plating over nickel.
5. A broad range of other front and rear connector accessories are available. See our website and/or contact factory for complete information.
6. Standard insert is high insulation synthetic rubber.

**IPT 00 J**  
**Wall Mounting Receptacle**  
**with Long Backshell and Cable Clamp**



**TABLE I: DIMENSIONS**

| Shell size | B<br>±0.25 | E<br>±0.2 | G<br>±0.4 | H<br>±0.1 | ØM<br>+0.1<br>0 | L<br>Max. | N<br>Thread |
|------------|------------|-----------|-----------|-----------|-----------------|-----------|-------------|
| 8          | 3.2        | 19.10     | 20.6      | 15.10     | 3.04            | 56        | 6 - 32      |
| 10         | 4.8        | 20.70     | 23.8      | 18.25     | 3.04            | 56        | 6 - 32      |
| 12         | 7.9        | 23.90     | 26.2      | 20.60     | 3.04            | 59        | 6 - 32      |
| 14         | 9.5        | 27.00     | 28.6      | 23.00     | 3.04            | 66        | 6 - 32      |
| 16         | 12.7       | 28.60     | 31.0      | 24.60     | 3.04            | 72        | 6 - 32      |
| 18         | 15.9       | 35.00     | 33.3      | 27.00     | 3.04            | 79        | 8 - 32      |
| 20         | 15.9       | 35.00     | 36.5      | 29.40     | 3.04            | 90        | 8 - 32      |
| 22         | 19.0       | 39.75     | 39.7      | 31.75     | 3.04            | 95        | 8 - 32      |
| 24         | 20.3       | 42.10     | 42.8      | 34.92     | 3.73            | 102       | 8 - 32      |

**TABLE II: MODIFICATION CODES**

| CONTACT OPTIONS  |  |
|--|--|
| Sym  | Description  |
| <b>B0</b>  | Connector Without Contacts<br>(Only for crimp version) |
| FINISH OPTIONS   |  |
| Sym  | Description and RoHS compliant                         |
| <b>F6</b>  | Black Electrodeposited Paint                           |
| <b>F7</b>  | Black Zinc Nickel                                      |
| <b>F11</b>   | Electroless Nickel                                     |
| <b>MB</b>  | Marine Bronze  |
| <b>Omit for standard version<br/>(Cadmium Olive Drab Finish)</b> |  |

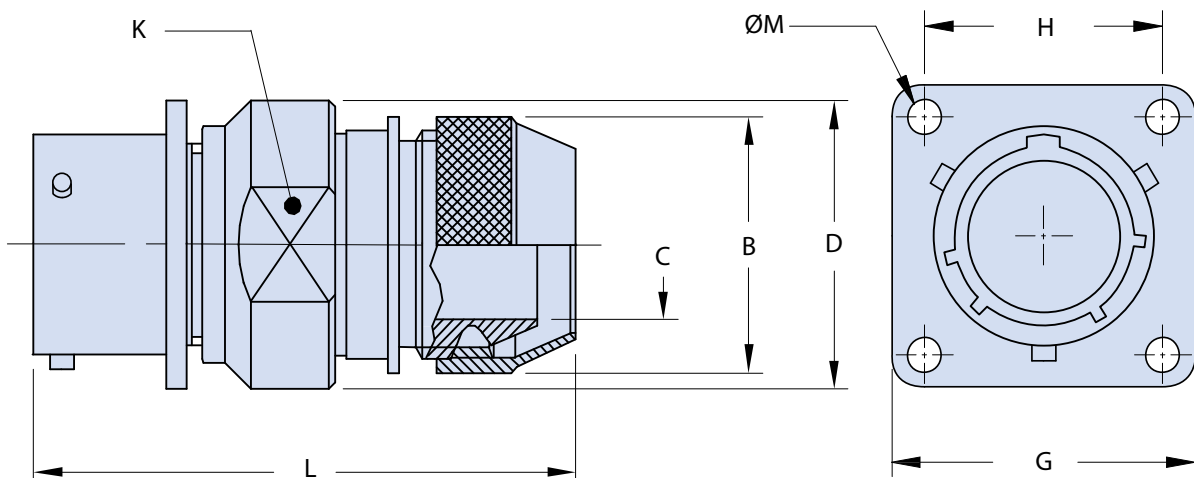
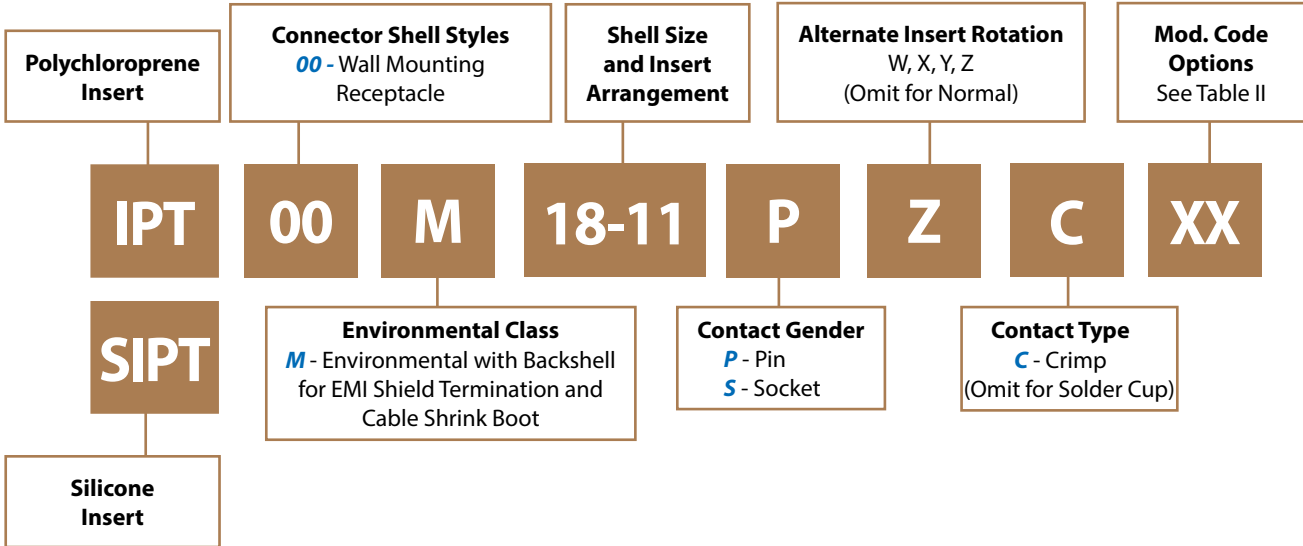




# IPT 00 M

## Wall Mounting Receptacle with Backshell

### for EMI Shield Termination and Shrink Boot



#### Application Notes

1. Wall mounting receptacle with backshell for terminating shielded cable, suitable for heat shrink boots; through mounting holes.
2. Connector/Backshell Class "M" (environmental)—Wire sealing grommet supplied.
3. Standard materials configuration consists of aluminum alloy with stainless steel coupling pins.
4. Standard contact material consists of copper alloy with gold plating over nickel.
5. A broad range of other front and rear connector accessories are available. See our website and/or contact factory for complete information.
6. Standard insert is high insulation synthetic rubber.

**IPT 00 M**  
**Wall Mounting Receptacle**  
**with Backshell**  
**for EMI Shield Termination and Shrink Boot**



**TABLE I: DIMENSIONS**

| Shell size | D<br>+0<br>-1 | B<br>+0.5<br>0 | C<br>min. | G<br>±0.4 | H<br>±0.1 | ØM<br>+0.1<br>0 | L<br>Max. | K<br>Key |
|------------|---------------|----------------|-----------|-----------|-----------|-----------------|-----------|----------|
| 8          | 14.0          | 16             | 6.6       | 20.6      | 15.10     | 3.04            | 52.0      | 18       |
| 10         | 16.0          | 18             | 9.2       | 23.8      | 18.25     | 3.04            | 52.0      | 21       |
| 12         | 20.0          | 22             | 12.2      | 26.2      | 20.60     | 3.04            | 52.0      | 24       |
| 14         | 23.0          | 25             | 15.2      | 28.6      | 23.00     | 3.04            | 53.0      | 28       |
| 16         | 26.0          | 28             | 18.3      | 31.0      | 24.60     | 3.04            | 53.0      | 31       |
| 18         | 28.5          | 32             | 20.0      | 33.3      | 27.00     | 3.04            | 53.0      | 34       |
| 20         | 30.5          | 34             | 23.0      | 36.5      | 29.40     | 3.04            | 57.0      | 37       |
| 22         | 34.5          | 38             | 26.0      | 39.7      | 31.75     | 3.04            | 57.0      | 41       |
| 24         | 37.5          | 41             | 28.8      | 42.8      | 34.92     | 3.73            | 58.5      | 44       |

**TABLE II: MODIFICATION CODES**

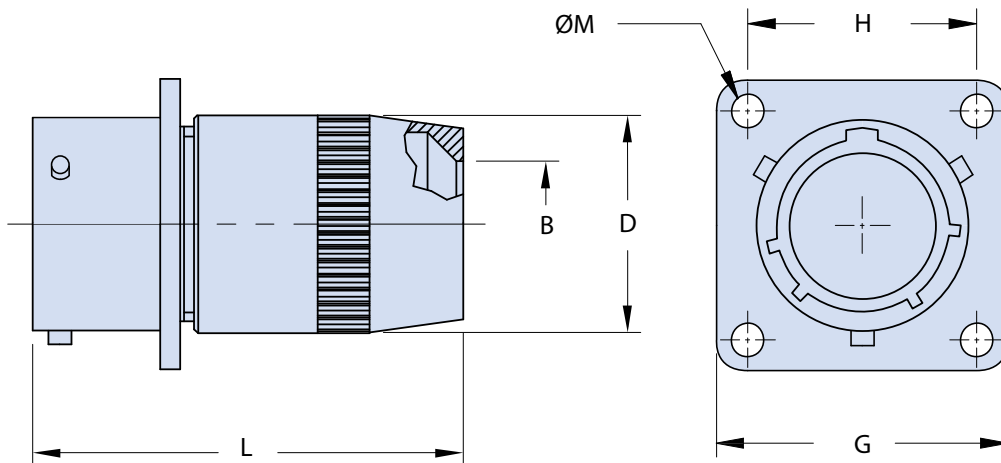
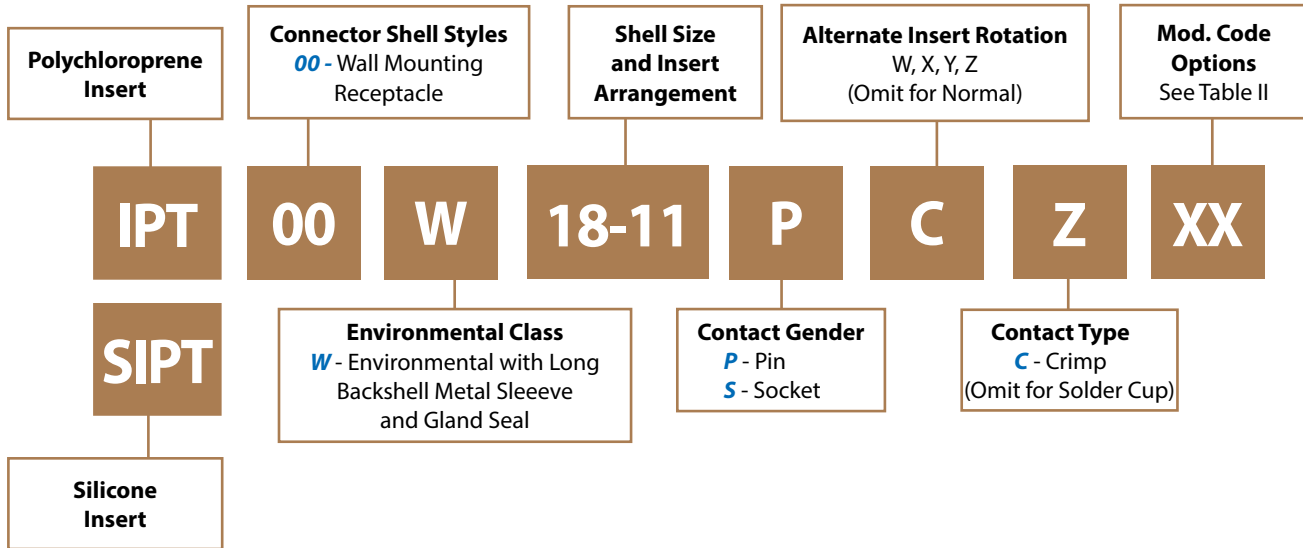
| CONTACT OPTIONS  |  |
|--|--|
| Sym  | Description  |
| <b>B0</b>  | Connector Without Contacts<br>(Only for crimp version) |
| FINISH OPTIONS   |  |
| Sym  | Description and RoHS compliant                         |
| <b>F7</b>  | Black Zinc Nickel                                      |
| <b>F11</b>   | Electroless Nickel                                     |
| <b>MB</b>  | Marine Bronze  |
| <b>Omit for standard version<br/>(Cadmium Olive Drab Finish)</b> |  |





# IPT 00 W

## Wall Mounting Receptacle with Long Backshell, Metal Sleeve and Gland Seal



### Application Notes

1. Wall mounting receptacle with long backshell, incorporated metal sleeve and gland seal.  
No cable clamp provided; through mounting holes.
2. Connector/Backshell Class "W" (environmental).
3. Standard materials configuration consists of aluminum alloy with stainless steel coupling pins.
4. Standard contact material consists of copper alloy with gold plating over nickel.
5. A broad range of other front and rear connector accessories are available. See our website and/or contact factory for complete information.
6. Standard insert is high insulation synthetic rubber.

**IPT 00 W**  
**Wall Mounting Receptacle**  
with Long Backshell, Metal Sleeve and Gland Seal



**TABLE I: DIMENSIONS**

| Shell size | B<br>min. | B<br>Max. | D<br>Max. | G<br>±0.4 | H<br>±0.1 | ØM<br>+0.1<br>0 | L<br>Max. |
|------------|-----------|-----------|-----------|-----------|-----------|-----------------|-----------|
| 8          | 4.25      | 6.10      | 13.90     | 20.6      | 15.10     | 3.04            | 47.5      |
| 10         | 5.20      | 7.90      | 17.15     | 23.8      | 18.25     | 3.04            | 47.5      |
| 12         | 8.60      | 11.20     | 20.60     | 26.2      | 20.60     | 3.04            | 47.5      |
| 14         | 10.55     | 13.70     | 23.90     | 28.6      | 23.00     | 3.04            | 55.5      |
| 16         | 14.00     | 15.65     | 27.50     | 31.0      | 24.60     | 3.04            | 61.0      |
| 18         | 15.25     | 17.10     | 30.90     | 33.3      | 27.00     | 3.04            | 68.0      |
| 20         | 16.10     | 19.00     | 34.10     | 36.5      | 29.40     | 3.04            | 78.5      |
| 22         | 17.00     | 21.50     | 37.50     | 39.7      | 31.75     | 3.04            | 83.0      |
| 24         | 18.80     | 22.70     | 40.30     | 42.8      | 34.92     | 3.73            | 90.0      |

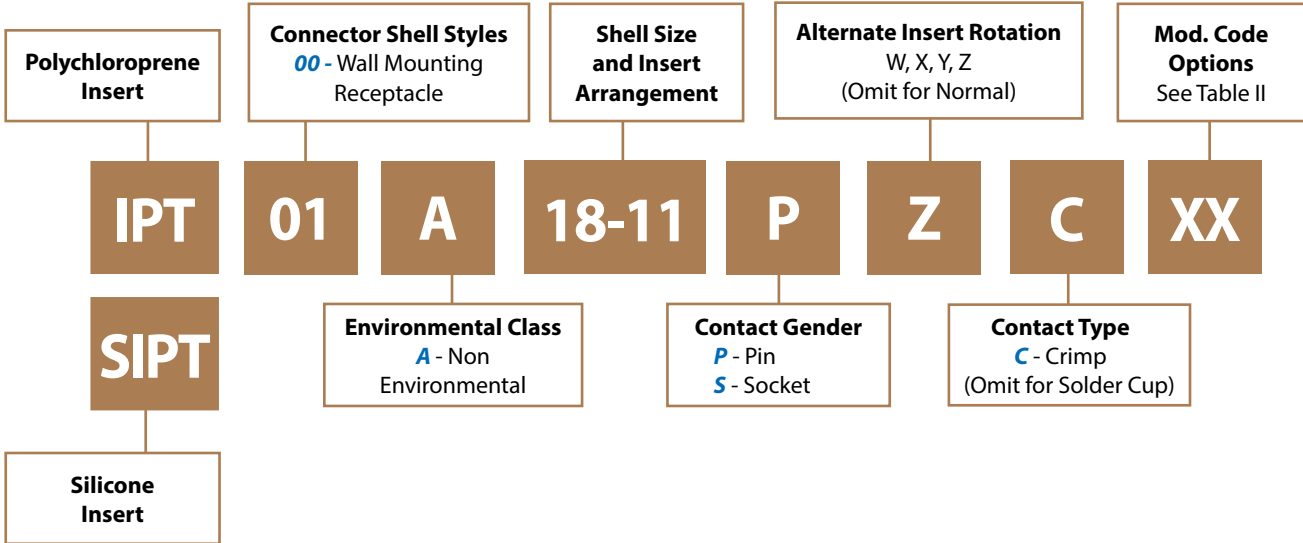
**TABLE II: MODIFICATION CODES**

| CONTACT OPTIONS  |  |
|--|--|
| Sym  | Description  |
| <b>B0</b>  | Connector Without Contacts<br>(Only for crimp version) |
| FINISH OPTIONS   |  |
| Sym  | Description and RoHS compliant                         |
| <b>F6</b>  | Black Electrodeposited Paint                           |
| <b>F7</b>  | Black Zinc Nickel                                      |
| <b>F11</b>   | Electroless Nickel                                     |
| <b>MB</b>  | Marine Bronze  |
| <b>Omit for standard version<br/>(Cadmium Olive Drab Finish)</b> |  |

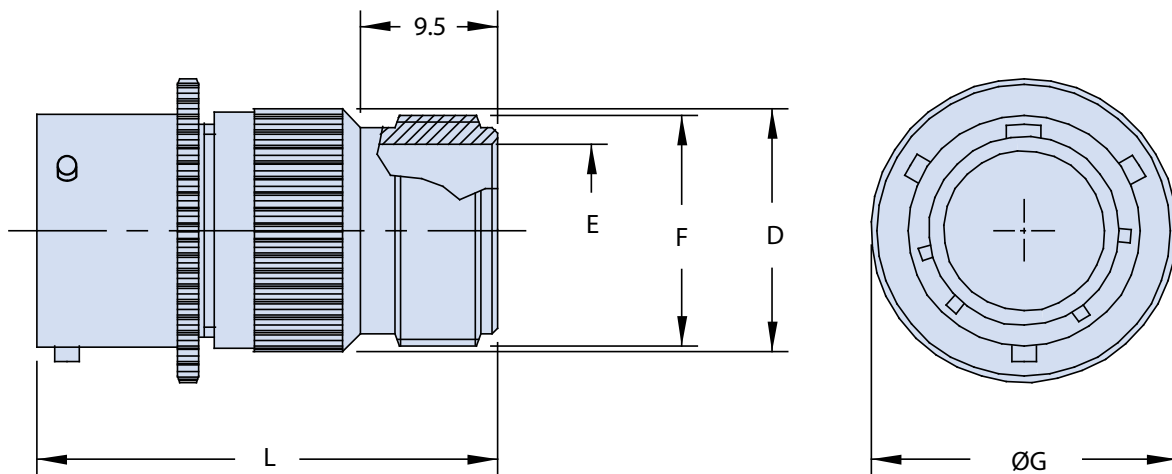




# IPT 01 A In-Line Cable Connector with General Duty Backshell



C



### Application Notes

1. In-line cable connector with general duty backshell.
2. Connector Class "A" (non-environmental—no grommet supplied).
3. Standard materials configuration consists of aluminum alloy with stainless steel coupling pins.
4. Standard contact material consists of copper alloy with gold plating over nickel.
5. A broad range of other front and rear connector accessories are available. See our website and/or contact factory for complete information.
6. Standard insert is high insulation synthetic rubber.



**IPT 01 A**  
**In-Line Cable Connector**  
**with General Duty Backshell**



**TABLE I: DIMENSIONS**

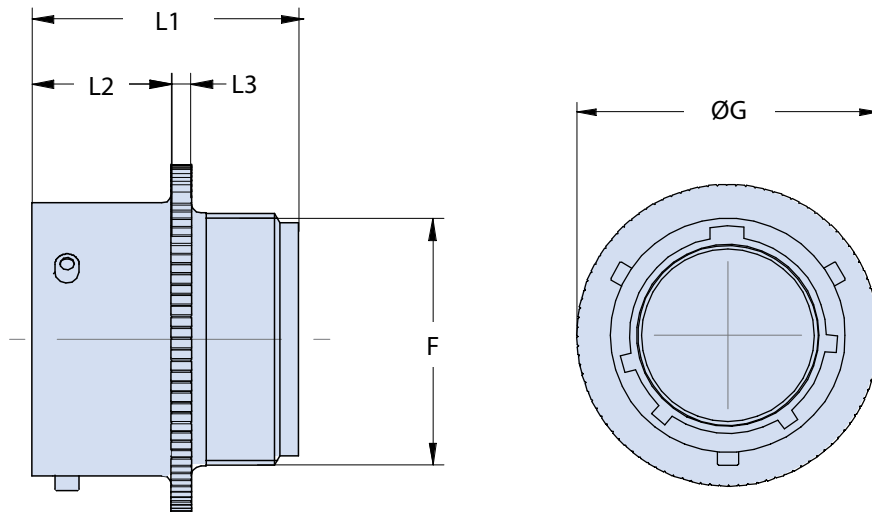
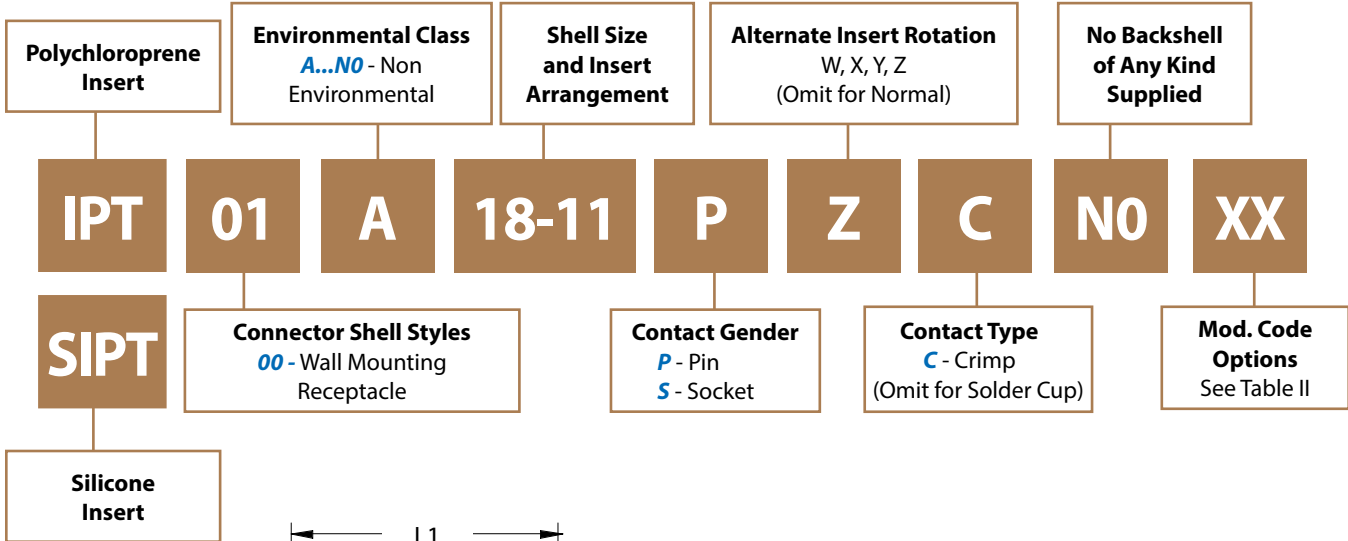
| Shell size | D<br>Max. | E<br>min. | F<br>Thread in inches | ØG<br>±0.2 | L<br>Max. |
|------------|-----------|-----------|-----------------------|------------|-----------|
| 8          | 15.00     | 7.55      | .5000 - 28 UNEF       | 17.3       | 45.9      |
| 10         | 18.20     | 10.70     | .6250 - 24 UNEF       | 21.8       | 45.9      |
| 12         | 21.20     | 13.85     | .7500 - 20 UNEF       | 25.1       | 45.9      |
| 14         | 24.60     | 16.85     | .8750 - 20 UNEF       | 28.6       | 45.9      |
| 16         | 27.60     | 20.00     | 1.0000 - 20 UNEF      | 30.6       | 45.9      |
| 18         | 30.90     | 22.30     | 1.1875 - 18 UNEF      | 33.2       | 45.9      |
| 20         | 33.80     | 25.75     | 1.1875 - 18 UNEF      | 36.5       | 50.0      |
| 22         | 37.10     | 28.80     | 1.4375 - 18 UNEF      | 39.6       | 50.0      |
| 24         | 40.25     | 32.00     | 1.4375 - 18 UNEF      | 43.1       | 50.0      |

**TABLE II: MODIFICATION CODES**

| CONTACT OPTIONS  |  |
|--|--|
| Sym  | Description  |
| <b>B0</b>  | Connector Without Contacts<br>(Only for crimp version) |
| FINISH OPTIONS   |  |
| Sym  | Description and RoHS compliant                         |
| <b>F6</b>  | Black Electrodeposited Paint                           |
| <b>F7</b>  | Black Zinc Nickel                                      |
| <b>F11</b>   | Electroless Nickel                                     |
| <b>MB</b>  | Marine Bronze  |
| <b>Omit for standard version<br/>(Cadmium Olive Drab Finish)</b> |  |



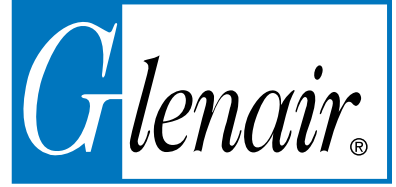
# IPT 01 A...N0 In-Line Cable Connector without Backshell



### Application Notes

1. In-line cable connector without backshell with rear thread for the attachment of additional accessories.
2. Connector Class "A...N0" (non-environmental)—no grommet supplied.
3. Standard materials configuration consists of aluminum alloy with stainless steel coupling pins.
4. Standard contact material consists of copper alloy with gold plating over nickel.
5. A broad range of other front and rear connector accessories are available. See our website and/or contact factory for complete information.
6. Standard insert is high insulation synthetic rubber.

**IPT 01 A...NO**  
**In-Line Cable Connector**  
**without Backshell**



**TABLE I: DIMENSIONS**

| Shell size | ØG<br>±0.2 | L1<br>Max. | L2<br>+0.8<br>-0 | L3<br>Max. | F<br>Thread in inches |
|------------|------------|------------|------------------|------------|-----------------------|
| 8          | 17.3       | 21.7       | 10.94            | 2.0        | .4375 - 28 UNEF       |
| 10         | 21.8       | 21.4       | 10.94            | 2.0        | .5625 - 24 UNEF       |
| 12         | 25.1       | 21.7       | 10.94            | 2.0        | .6875 - 20 UNEF       |
| 14         | 28.6       | 21.7       | 10.94            | 2.0        | .8125 - 20 UNEF       |
| 16         | 30.6       | 21.4       | 10.94            | 2.0        | .8375 - 20 UNEF       |
| 18         | 33.2       | 21.4       | 10.94            | 2.0        | 1.0625 - 18 UNEF      |
| 20         | 36.5       | 27.0       | 14.12            | 2.8        | 1.1875 - 18 UNEF      |
| 22         | 39.6       | 27.0       | 14.12            | 2.8        | 1.3125 - 18 UNEF      |
| 24         | 43.1       | 29.0       | 14.96            | 2.8        | 1.4375 - 18 UNEF      |

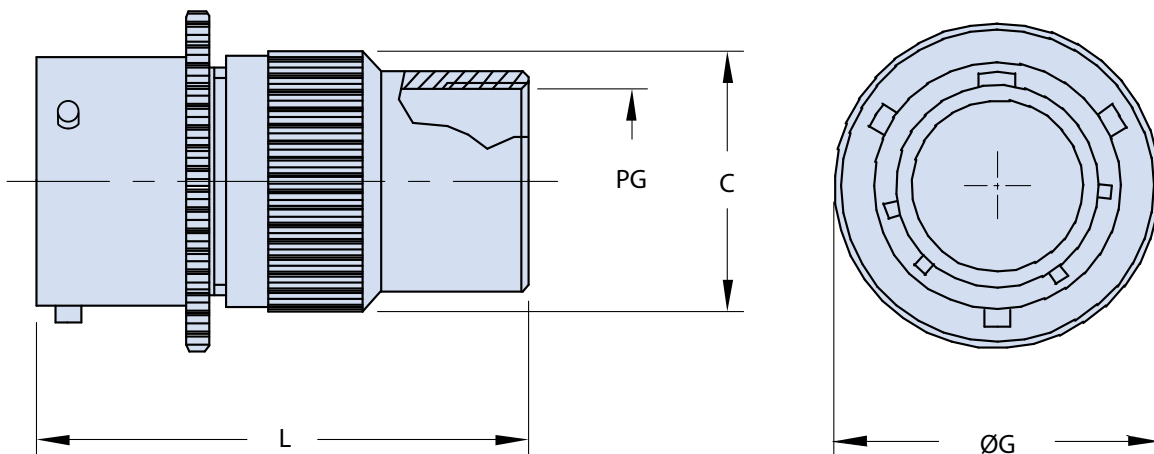
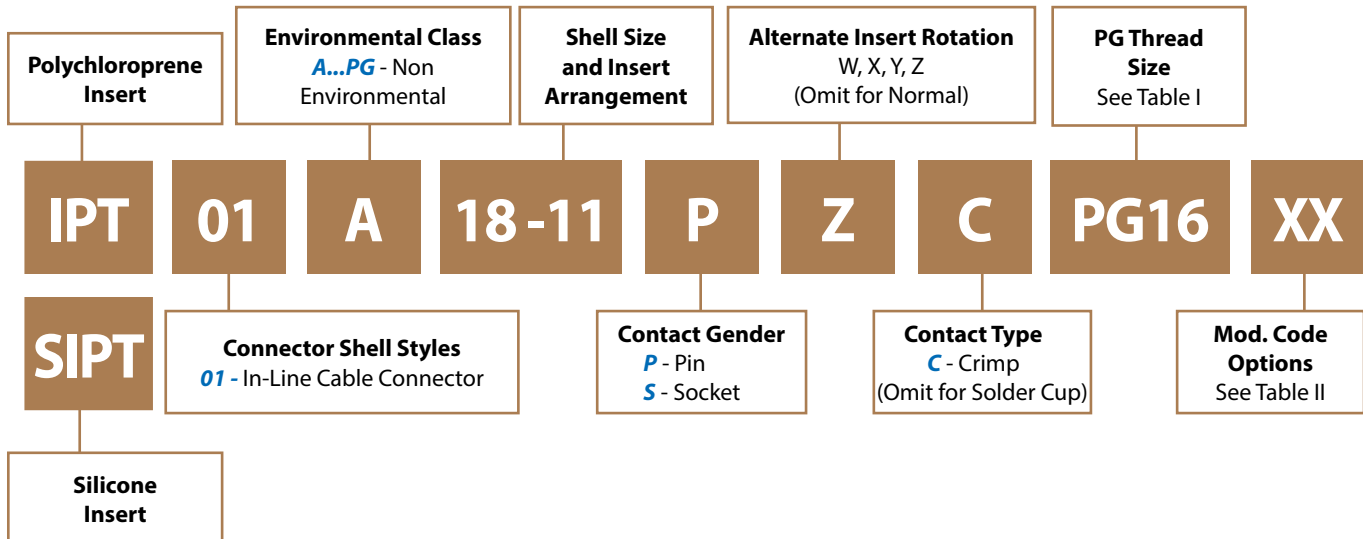
**TABLE II: MODIFICATION CODES**

| CONTACT OPTIONS  |  |
|--|--|
| Sym  | Description  |
| <b>B0</b>  | Connector Without Contacts<br>(Only for crimp version) |
| FINISH OPTIONS   |  |
| Sym  | Description and RoHS compliant                         |
| <b>F6</b>  | Black Electrodeposited Paint                           |
| <b>F7</b>  | Black Zinc Nickel                                      |
| <b>F11</b>   | Electroless Nickel                                     |
| <b>MB</b>  | Marine Bronze  |
| <b>Omit for standard version<br/>(Cadmium Olive Drab Finish)</b> |  |



# IPT 01 A...PG\_\_

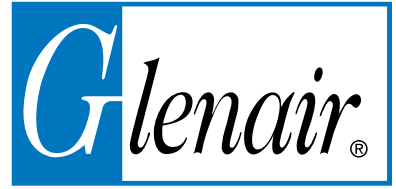
## In-Line Cable Connector with PG Threaded Backshell



### Application Notes

1. In-line cable connector with backshell adapter threaded for use with PG cable glands (not included). Other types of PG adapters can be supplied in various sizes upon request.
2. Connector Class "A" (non-environmental)—no grommet supplied.
3. Standard materials configuration consists of aluminum alloy with stainless steel coupling pins.
4. Standard contact material consists of copper alloy with gold plating over nickel.
5. A broad range of other front and rear connector accessories are available. See our website and/or contact factory for complete information.
6. Standard insert is high insulation synthetic rubber.

**IPT 01 A...PG\_\_**  
**In-Line Cable Connector**  
**with PG Threaded Backshell**



**TABLE I: DIMENSIONS**

| Shell size | L<br>Max. | C<br>Max. | ØG<br>±0.2 | PG<br>Thread            |
|------------|-----------|-----------|------------|-------------------------|
| 8          | 41.0      | 18.0      | 17.3       | 7 – 9                   |
| 10         | 41.0      | 18.0      | 21.8       | 7 – 9                   |
| 12         | 51.0      | 23.5      | 25.1       | 11                      |
| 14         | 51.0      | 24.5      | 28.6       | 9 – 11 – 13.5 – 16      |
| 16         | 56.0      | 28.0      | 30.6       | 9 – 11 – 13.5 – 16 – 21 |
| 18         | 56.0      | 30.5      | 33.2       | 13.5 – 16               |
| 20         | 58.5      | 33.5      | 36.5       | 13.5 – 16               |
| 22         | 63.5      | 37.0      | 39.6       | 13.5 – 16 – 21          |
| 24         | 66.0      | 40.0      | 43.1       | 13.5 – 16 – 21          |

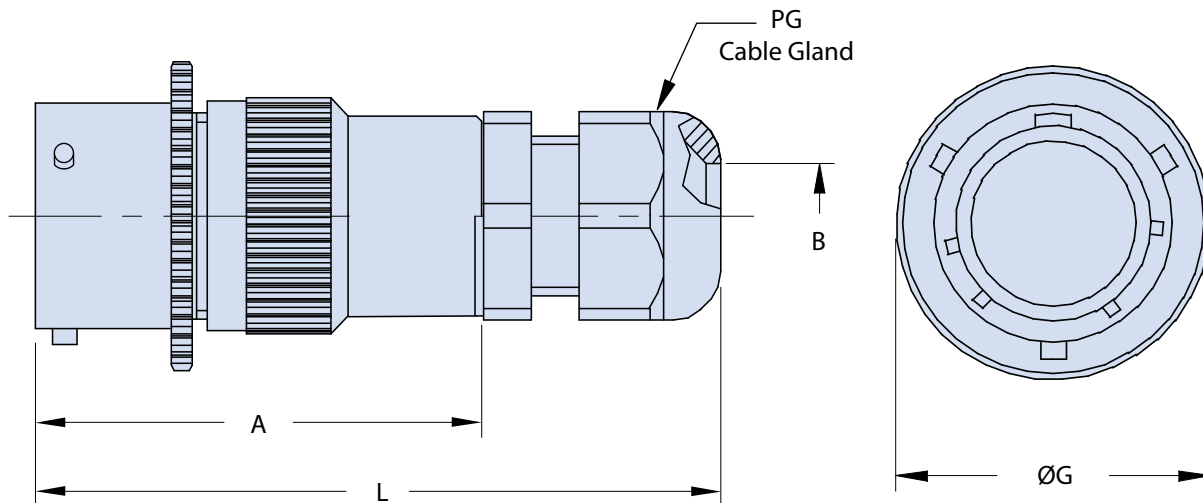
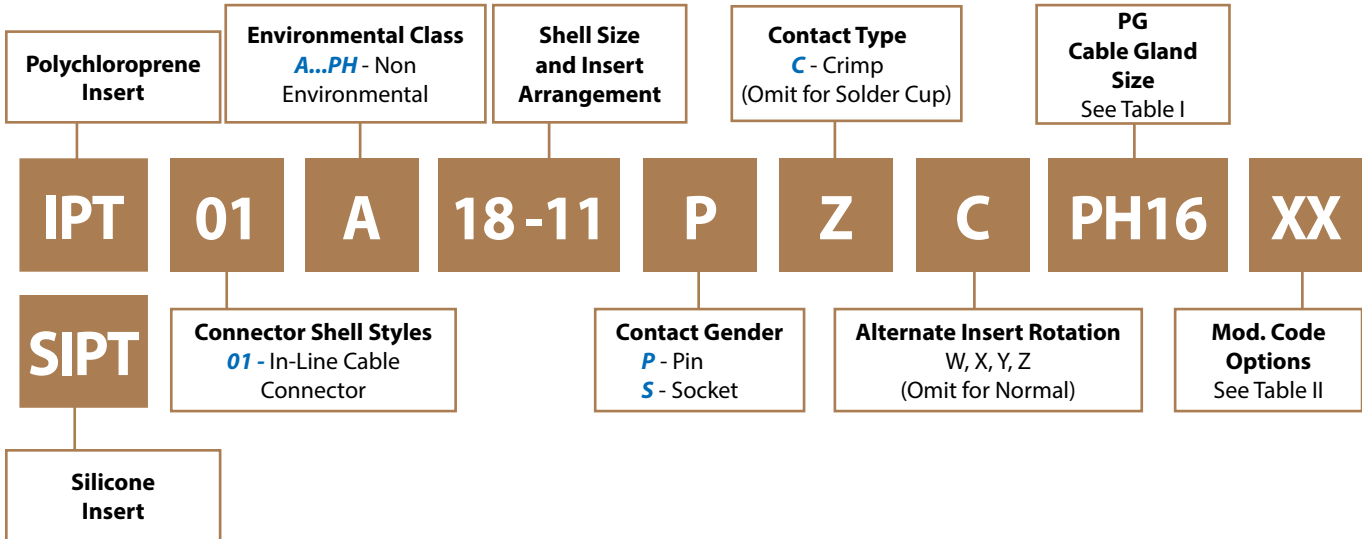
**TABLE II: MODIFICATION CODES**

| CONTACT OPTIONS  |  |
|--|--|
| Sym  | Description  |
| <b>B0</b>  | Connector Without Contacts<br>(Only for crimp version) |
| FINISH OPTIONS   |  |
| Sym  | Description and RoHS compliant                         |
| <b>F6</b>  | Black Electrodeposited Paint                           |
| <b>F7</b>  | Black Zinc Nickel                                      |
| <b>F11</b>   | Electroless Nickel                                     |
| <b>MB</b>  | Marine Bronze  |
| <b>Omit for standard version<br/>(Cadmium Olive Drab Finish)</b> |  |





## IPT 01 A...PH\_\_ In-Line Cable Connector with Backshell and Plastic PG Cable Gland



### Application Notes

1. In-line cable connector with backshell and plastic PG cable gland. Other types of PG adapters can be supplied in various sizes upon request.
2. Connector Class "A" (non-environmental)—no grommet supplied.
3. Standard materials configuration consists of aluminum alloy with stainless steel coupling pins.
4. Standard contact material consists of copper alloy with gold plating over nickel.
5. A broad range of other front and rear connector accessories are available. See our website and/or contact factory for complete information.
6. Standard insert is high insulation synthetic rubber.

**IPT 01 A...PH\_\_**  
**In-Line Cable Connector**  
with Backshell and Plastic PG Cable Gland



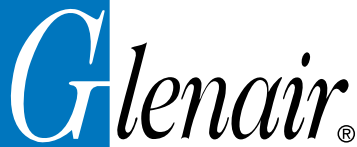
IPT Series  
Bayonet Lock  
Connectors

**TABLE I: DIMENSIONS**

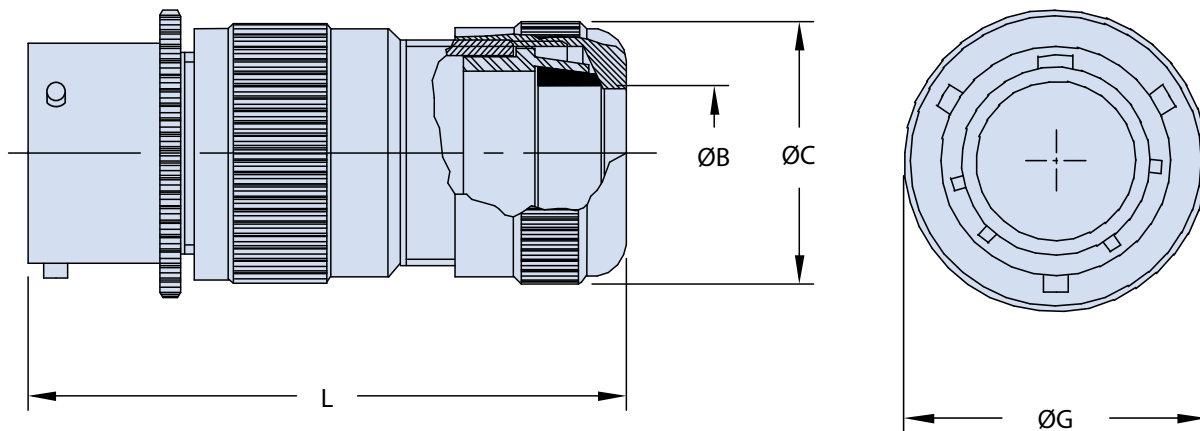
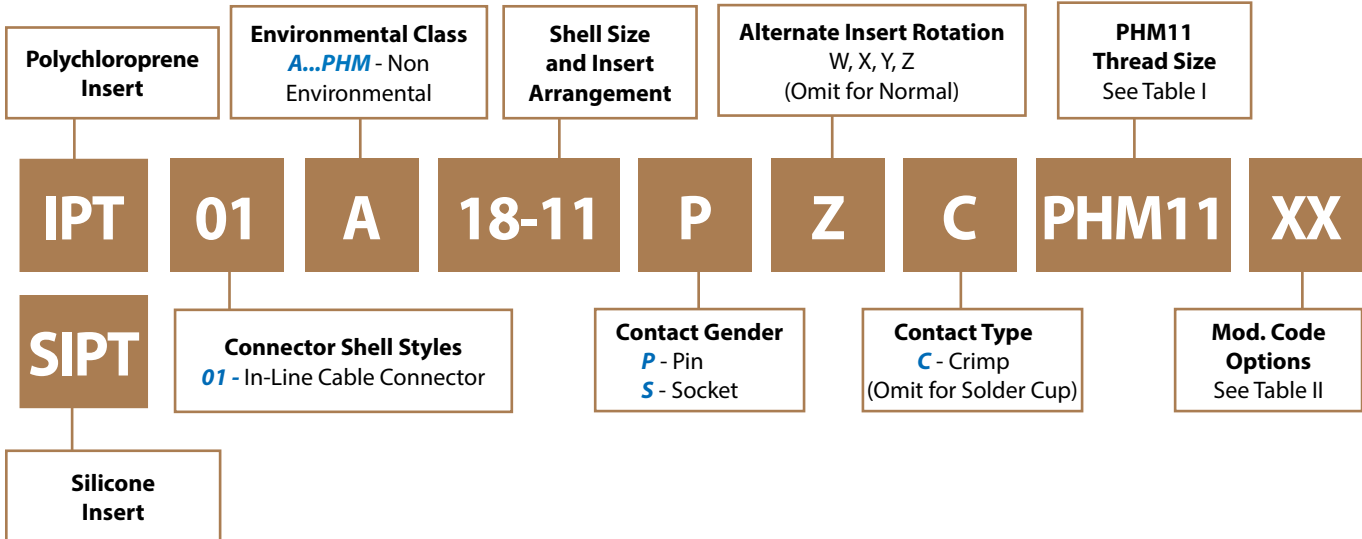
| Shell size | A<br>Max. | B<br>min. - max.          | PG<br>Cable Gland<br>Size | L<br>Max. | ØG<br>±0.2 |
|------------|-----------|---------------------------|---------------------------|-----------|------------|
| 8          | 41.0      | 3 - 6.5 / 4 - 8           | 7 / 9                     | 65.00     | 17.3       |
| 10         | 41.0      | 4 - 8                     | 9                         | 65.00     | 21.8       |
| 12         | 51.0      | 5 - 10                    | 11                        | 77.50     | 25.1       |
| 14         | 51.0      | 5 - 10 / 6 - 12 / 9 - 14  | 11 / 13.5 / 16            | 81.00     | 28.6       |
| 16         | 56.0      | 5 - 10 / 6 - 12 / 9 - 14  | 11 / 13.5 / 16            | 86.00     | 30.6       |
| 18         | 56.0      | 6 - 12 / 9 - 14           | 13.5 / 16                 | 86.00     | 33.2       |
| 20         | 58.5      | 6 - 12 / 9 - 14           | 13.5 / 16                 | 88.50     | 36.5       |
| 22         | 63.5      | 6 - 12 / 9 - 14 / 13 - 18 | 13.5 / 16 / 21            | 99.50     | 39.6       |
| 24         | 66.0      | 6 - 12 / 9 - 14 / 13 - 18 | 13.5 / 16 / 21            | 102.00    | 43.1       |

**TABLE II: MODIFICATION CODES**

| CONTACT OPTIONS  |  |
|--|--|
| Sym  | Description  |
| <b>B0</b>  | Connector Without Contacts<br>(Only for crimp version) |
| FINISH OPTIONS   |  |
| Sym  | Description and RoHS compliant                         |
| <b>F6</b>  | Black Electrodeposited Paint                           |
| <b>F7</b>  | Black Zinc Nickel                                      |
| <b>F11</b>   | Electroless Nickel                                     |
| <b>MB</b>  | Marine Bronze  |
| <b>Omit for standard version<br/>(Cadmium Olive Drab Finish)</b> |  |



**IPT 01 A...PHM\_\_**  
**In-Line Cable Connector**  
**with PHM Backshell**  
**and Sleeves to Accommodate Various Cable Sizes**

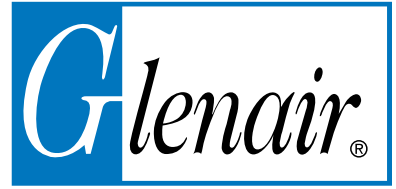


**Application Notes**

1. In-line cable connector with backshell and PHM cable clamp. Rubber sleeves included to allow use of different cable diameters.
2. Connector Class "A" (non-environmental)—no grommet supplied.
3. Standard materials configuration consists of aluminum alloy with stainless steel coupling pins.
4. Standard contact material consists of copper alloy with gold plating over nickel.
5. A broad range of other front and rear connector accessories are available. See our website and/or contact factory for complete information.
6. Standard insert is high insulation synthetic rubber.



**IPT 01 A...PHM\_\_**  
**In-Line Cable Connector**  
**with PHM Backshell**  
**and Sleeves to Accommodate Various Cable Sizes**



**TABLE I: DIMENSIONS**

| Shell size | P.N. PHM     | ØB<br>min. - max.            | C<br>Max. | ØG<br>±0.2 | L<br>Max. |
|------------|--------------|------------------------------|-----------|------------|-----------|
| 8          | 7            | 2 - 7                        | 15        | 17.3       | 55.0      |
| 10         | 9            | 2 - 9                        | 21        | 21.8       | 55.0      |
| 12         | 11           | 2 - 11                       | 24        | 25.1       | 65.0      |
| 14         | 11           | 2 - 11                       | 24        | 28.6       | 65.0      |
| 16         | 11           | 2 - 11                       | 24        | 30.6       | 65.0      |
| 18         | 11 / 18      | 2 - 11 / 9 - 16.5            | 42        | 33.2       | 80.0      |
| 20         | 18           | 9 - 16.5                     | 42        | 36.5       | 81.5      |
| 22         | 18           | 9 - 16.5                     | 42        | 39.6       | 81.5      |
| 24         | 18 / 22 / 24 | 9 - 16.5 / 15 - 20 / 19 - 24 | 42        | 43.1       | 82.0      |

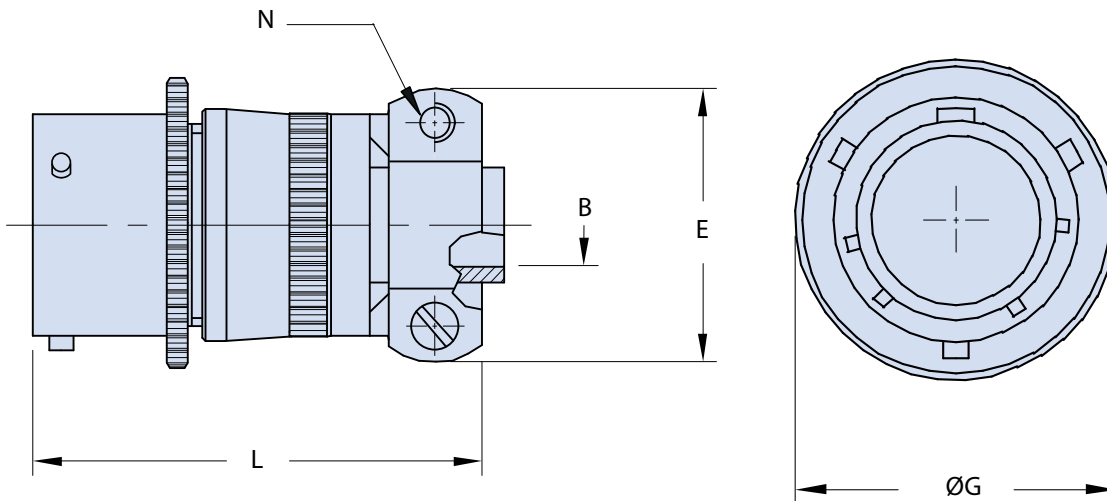
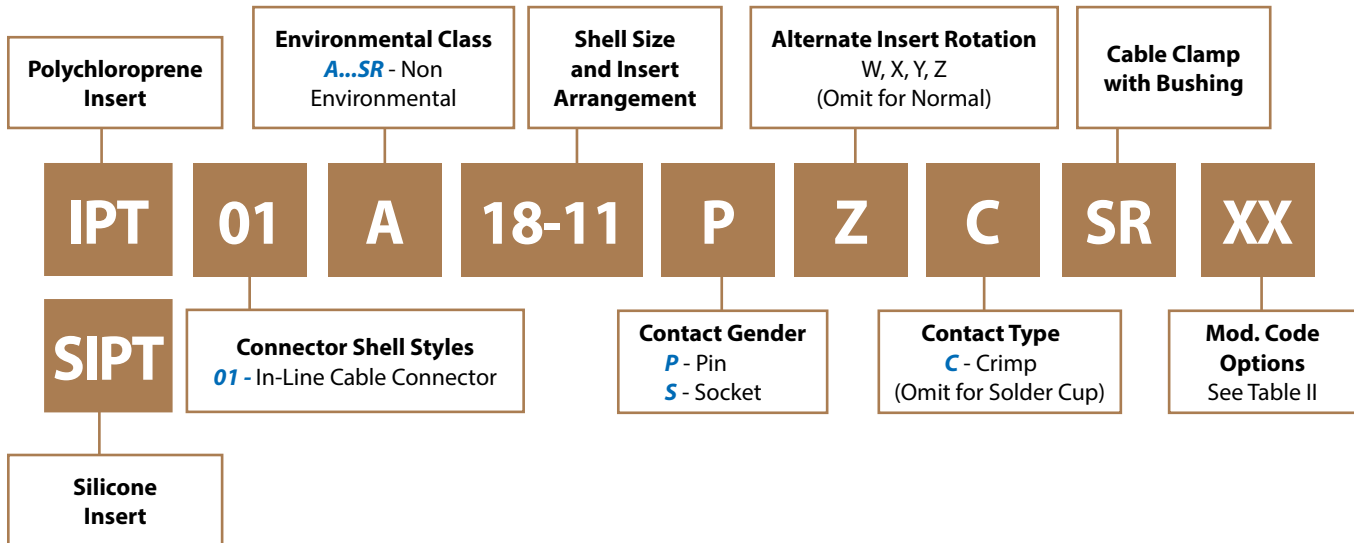
**TABLE II: MODIFICATION CODES**

| CONTACT OPTIONS  |  |
|--|--|
| Sym  | Description  |
| <b>B0</b>  | Connector Without Contacts<br>(Only for crimp version) |
| FINISH OPTIONS   |  |
| Sym  | Description and RoHS compliant                         |
| <b>F6</b>  | Black Electrodeposited Paint                           |
| <b>F7</b>  | Black Zinc Nickel                                      |
| <b>F11</b>   | Electroless Nickel                                     |
| <b>MB</b>  | Marine Bronze  |
| <b>Omit for standard version<br/>(Cadmium Olive Drab Finish)</b> |  |





## IPT 01 A...SR In-Line Cable Connector with Backshell, Cable Clamp and Bushing



### Application Notes

1. In-line cable connector with backshell, cable clamp and bushing for cable protection.
2. Connector Class "A" (non-environmental)—no grommet supplied.
3. Standard materials configuration consists of aluminum alloy with stainless steel coupling pins.
4. Standard contact material consists of copper alloy with gold plating over nickel.
5. A broad range of other front and rear connector accessories are available. See our website and/or contact factory for complete information.
6. Standard insert is high insulation synthetic rubber.

**IPT 01 A...SR**  
**In-Line Cable Connector**  
with Backshell,  
Cable Clamp and Bushing



**TABLE I: DIMENSIONS**

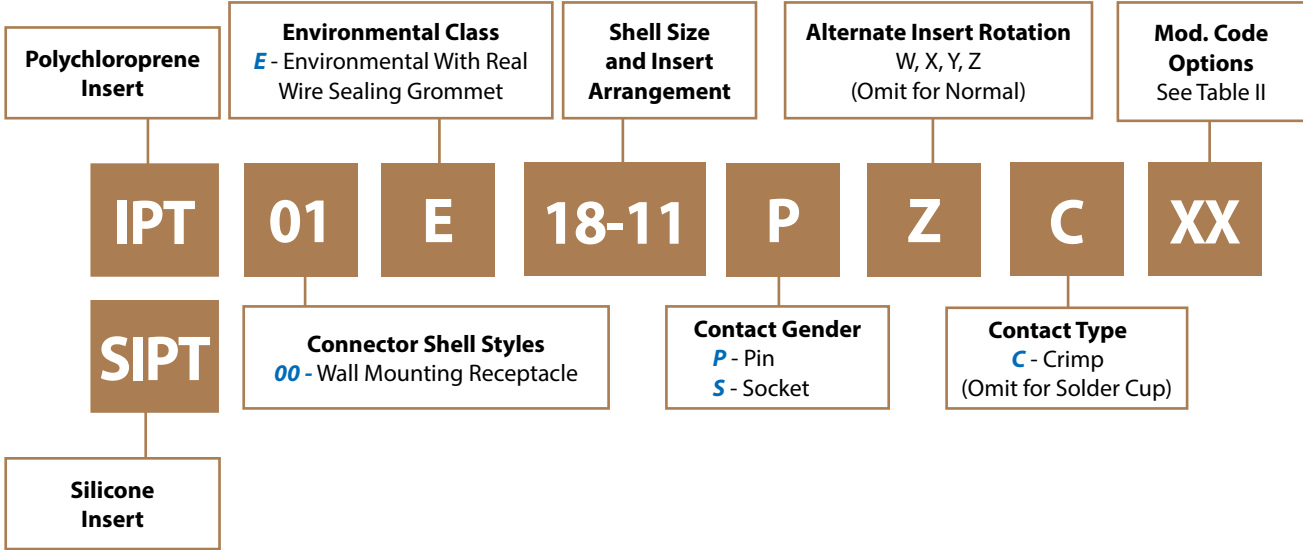
| Shell size | B<br>±0.25 | E<br>±0.2 | ØG<br>±0.2 | L<br>Max. | N<br>Thread |
|------------|------------|-----------|------------|-----------|-------------|
| 8          | 3.2        | 19.10     | 17.3       | 48.5      | 6 - 32      |
| 10         | 4.8        | 20.70     | 21.8       | 48.5      | 6 - 32      |
| 12         | 7.9        | 23.90     | 25.1       | 48.5      | 6 - 32      |
| 14         | 9.5        | 27.00     | 28.6       | 48.5      | 6 - 32      |
| 16         | 12.7       | 28.60     | 30.6       | 52.0      | 6 - 32      |
| 18         | 15.9       | 35.00     | 33.2       | 52.0      | 8 - 32      |
| 20         | 15.9       | 35.00     | 36.5       | 60.5      | 8 - 32      |
| 22         | 19.0       | 39.75     | 39.6       | 60.5      | 8 - 32      |
| 24         | 20.3       | 42.10     | 43.1       | 63.0      | 8 - 32      |

**TABLE II: MODIFICATION CODES**

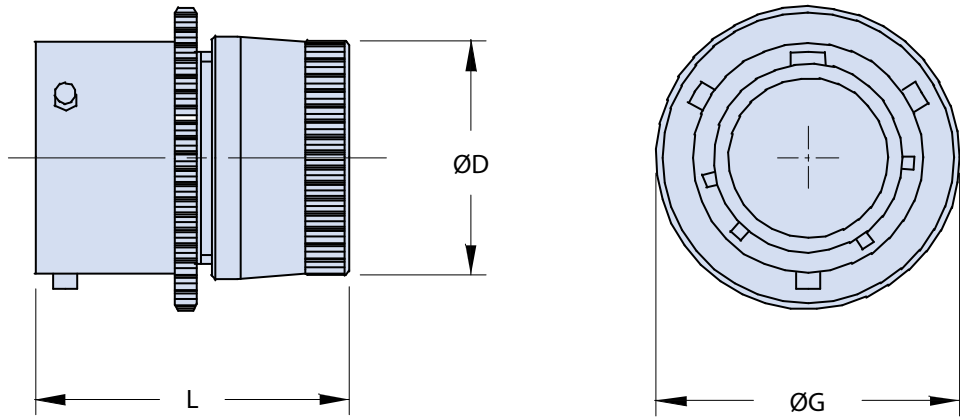
| CONTACT OPTIONS  |  |
|--|--|
| Sym  | Description  |
| <b>B0</b>  | Connector Without Contacts<br>(Only for crimp version) |
| FINISH OPTIONS   |  |
| Sym  | Description and RoHS compliant                         |
| <b>F6</b>  | Black Electrodeposited Paint                           |
| <b>F7</b>  | Black Zinc Nickel                                      |
| <b>F11</b>   | Electroless Nickel                                     |
| <b>MB</b>  | Marine Bronze  |
| <b>Omit for standard version<br/>(Cadmium Olive Drab Finish)</b> |  |



# IPT 01 E In-Line Cable Connector with General Duty Backshell



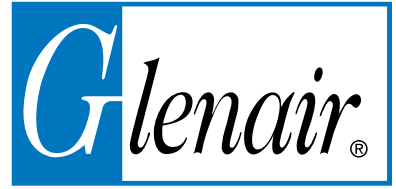
C



### Application Notes

1. In-Line Cable Connector Class "E" (environmental)—Wire sealing grommet and general duty backshell supplied.
2. Standard materials configuration consists of aluminum alloy with stainless steel coupling pins.
3. Standard contact material consists of copper alloy with gold plating over nickel.
4. A broad range of other front and rear connector accessories are available. See our website and/or contact factory for complete information.
5. Standard insert is high insulation synthetic rubber.

**IPT 01 E**  
**In-Line Cable Connector**  
**with General Duty Backshell**



**TABLE I: DIMENSIONS**

| Shell size | ØD<br>Max. | ØG<br>±0.2 | L<br>Max. |
|------------|------------|------------|-----------|
| 8          | 15.44      | 17.3       | 32.15     |
| 10         | 18.64      | 21.8       | 32.15     |
| 12         | 21.79      | 25.1       | 32.15     |
| 14         | 25.00      | 28.6       | 32.15     |
| 16         | 28.19      | 30.6       | 32.15     |
| 18         | 31.34      | 33.2       | 32.15     |
| 20         | 34.54      | 36.5       | 38.50     |
| 22         | 37.69      | 39.6       | 38.50     |
| 24         | 40.89      | 43.1       | 40.10     |

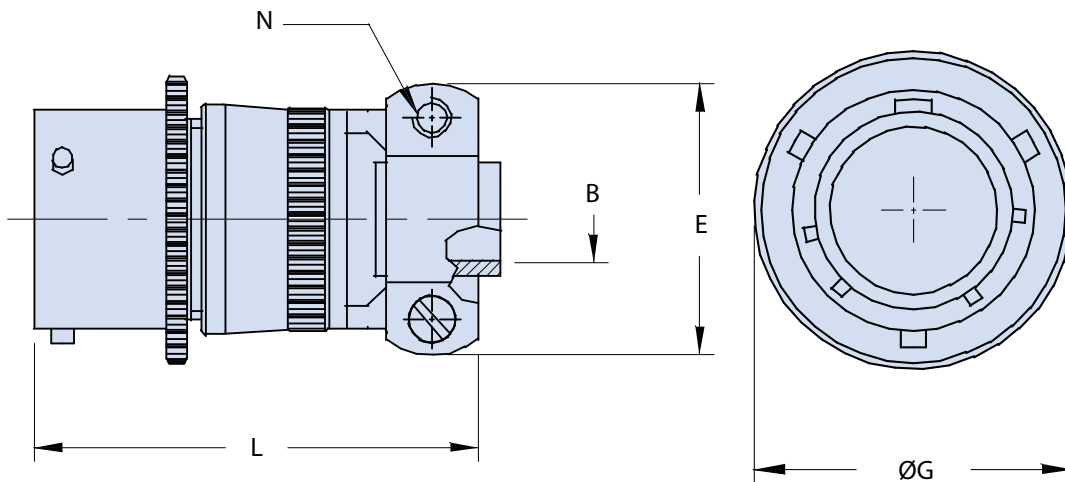
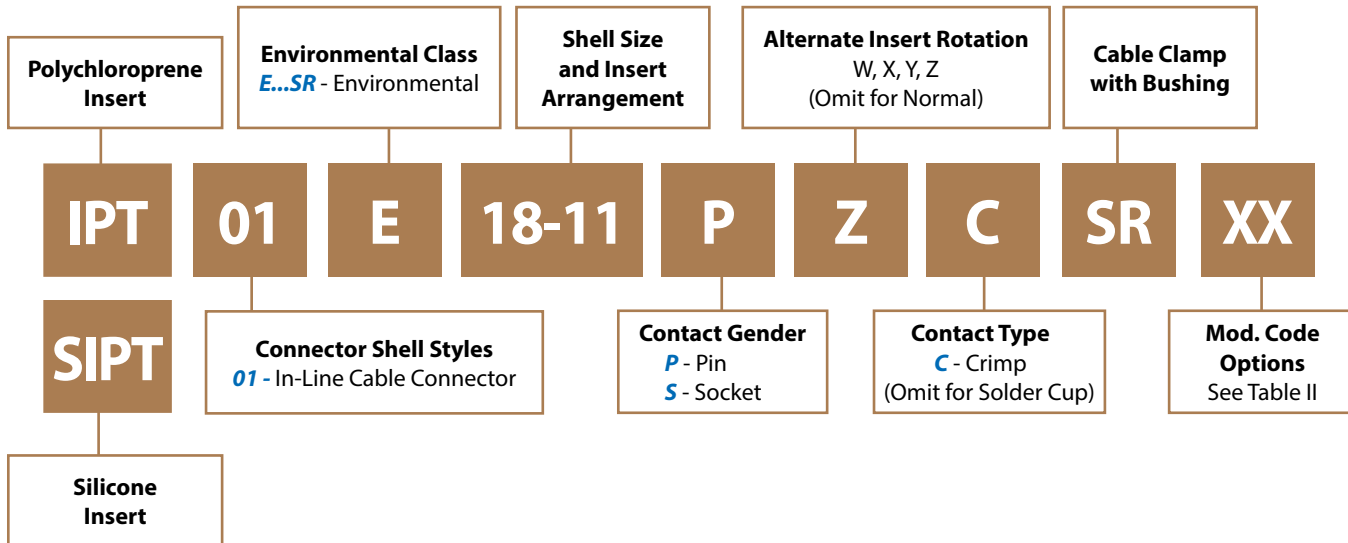
**TABLE II: MODIFICATION CODES**

| CONTACT OPTIONS  |  |
|--|--|
| Sym  | Description  |
| <b>B0</b>  | Connector Without Contacts<br>(Only for crimp version) |
| FINISH OPTIONS   |  |
| Sym  | Description and RoHS compliant                         |
| <b>F6</b>  | Black Electrodeposited Paint                           |
| <b>F7</b>  | Black Zinc Nickel                                      |
| <b>F11</b>   | Electroless Nickel                                     |
| <b>MB</b>  | Marine Bronze  |
| <b>Omit for standard version<br/>(Cadmium Olive Drab Finish)</b> |  |





## IPT 01 E...SR In-Line Cable Connector with Backshell, Cable Clamp and Bushing



### Application Notes

1. In-line cable connector with sealing grommet, cable clamp and bushing for cable protection.
2. Connector Class "E" (environmental)—Wire sealing grommet supplied.
3. Standard materials configuration consists of aluminum alloy with stainless steel coupling pins.
4. Standard contact material consists of copper alloy with gold plating over nickel.
5. A broad range of other front and rear connector accessories are available. See our website and/or contact factory for complete information.
6. Standard insert is high insulation synthetic rubber.

**IPT 01 E...SR**  
**In-Line Cable Connector**  
 with Backshell, Cable Clamp and Bushing



**TABLE I: DIMENSIONS**

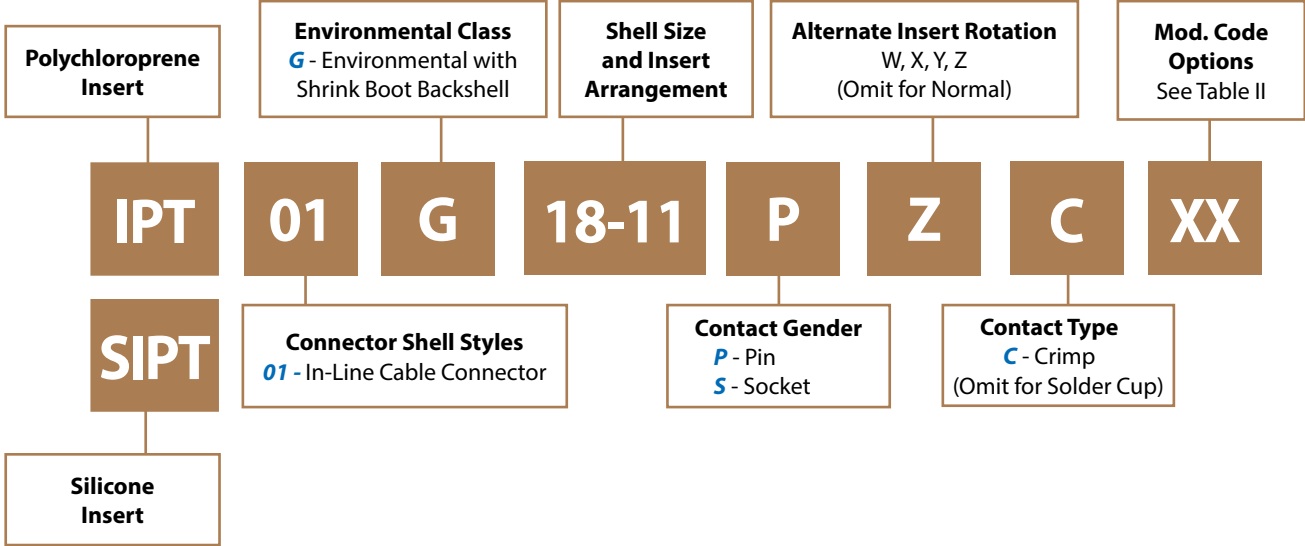
| Shell size | B<br>±0.25 | E<br>±0.2 | ØG<br>±0.2 | L<br>Max. | N<br>Thread |
|------------|------------|-----------|------------|-----------|-------------|
| 8          | 3.2        | 19.10     | 17.3       | 48.5      | 6 - 32      |
| 10         | 4.8        | 20.70     | 21.8       | 48.5      | 6 - 32      |
| 12         | 7.9        | 23.90     | 25.1       | 48.5      | 6 - 32      |
| 14         | 9.5        | 27.00     | 28.6       | 48.5      | 6 - 32      |
| 16         | 12.7       | 28.60     | 30.6       | 52.0      | 6 - 32      |
| 18         | 15.9       | 35.00     | 33.2       | 52.0      | 8 - 32      |
| 20         | 15.9       | 35.00     | 36.5       | 60.5      | 8 - 32      |
| 22         | 19.0       | 39.75     | 39.6       | 60.5      | 8 - 32      |
| 24         | 20.3       | 42.10     | 43.1       | 63.0      | 8 - 32      |

**TABLE II: MODIFICATION CODES**

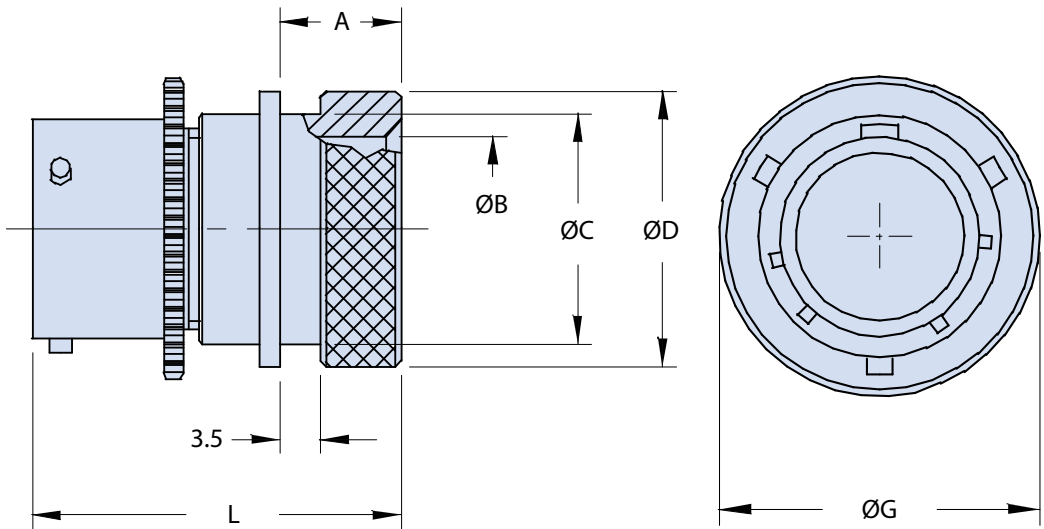
| CONTACT OPTIONS  |  |
|--|--|
| Sym  | Description  |
| <b>B0</b>  | Connector Without Contacts<br>(Only for crimp version) |
| FINISH OPTIONS   |  |
| Sym  | Description and RoHS compliant                         |
| <b>F6</b>  | Black Electrodeposited Paint                           |
| <b>F7</b>  | Black Zinc Nickel                                      |
| <b>F11</b>   | Electroless Nickel                                     |
| <b>MB</b>  | Marine Bronze  |
| <b>Omit for standard version<br/>(Cadmium Olive Drab Finish)</b> |  |



# IPT 01 G In-Line Cable Connector with Shrink Boot Backshell



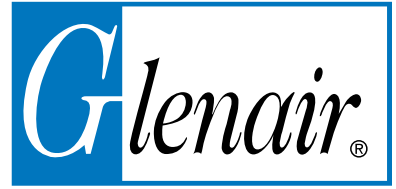
C



- Application Notes**
1. In-line cable connector with sealing grommet and backshell for heat shrink boot.
  2. Connector/Backshell Class "G" (environmental)--Wire sealing grommet supplied.
  3. Standard materials configuration consists of aluminum alloy with stainless steel coupling pins.
  4. Standard contact material consists of copper alloy with gold plating over nickel.
  5. A broad range of other front and rear connector accessories are available. See our website and/or contact factory for complete information.
  6. Standard insert is high insulation synthetic rubber.



**IPT 01 G**  
**In-Line Cable Connector**  
**with Shrink Boot Backshell**



**TABLE I: DIMENSIONS**

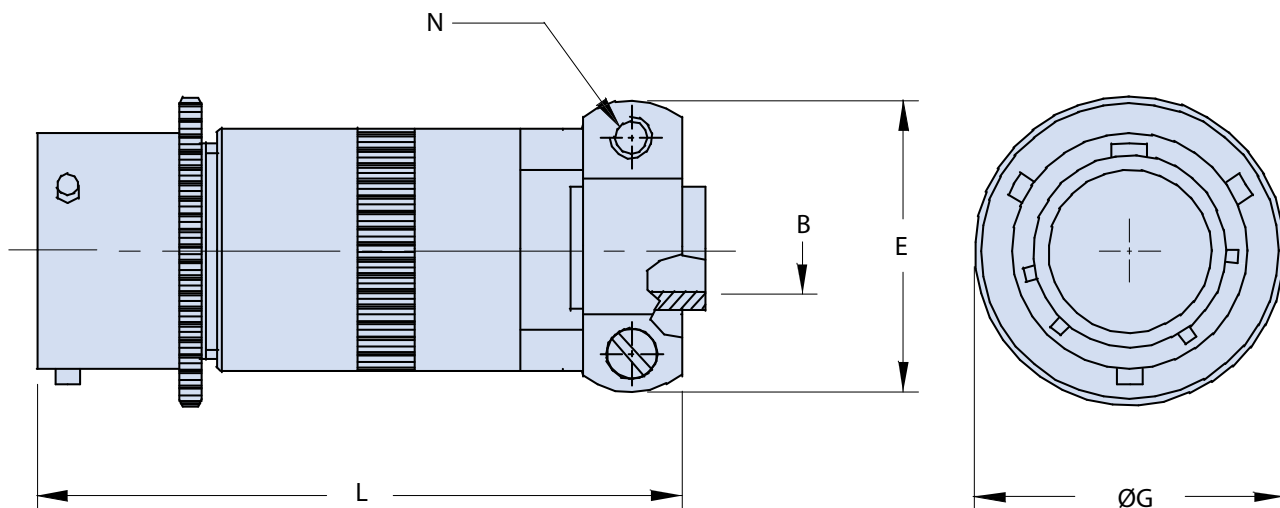
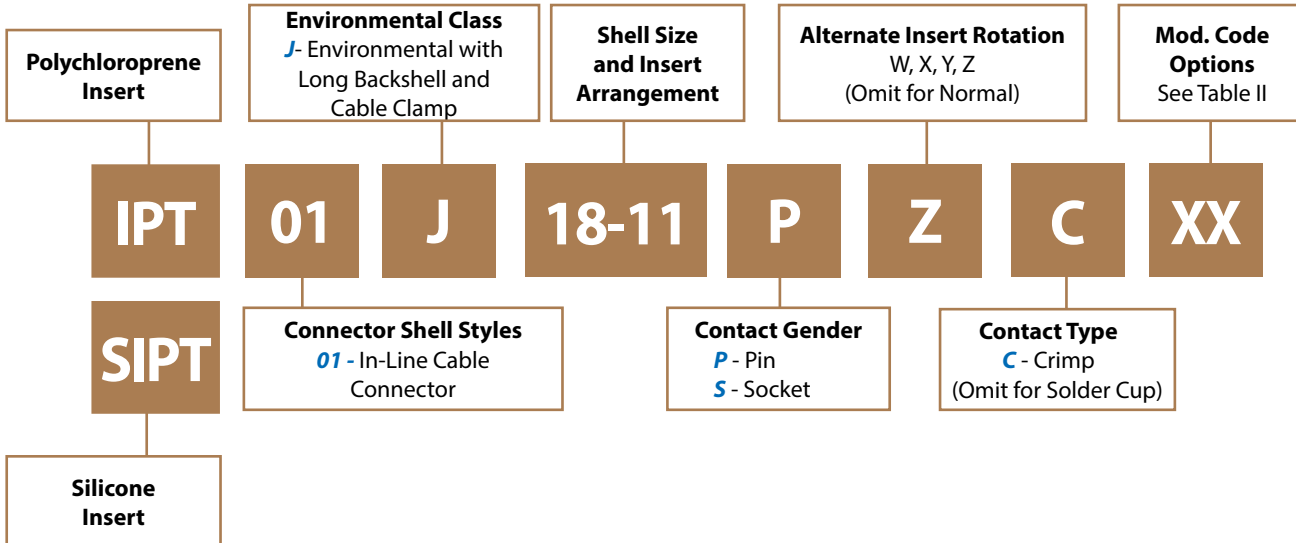
| Shell size | A<br>±0.1 | ØB<br>+0.1<br>-0 | ØC<br>+0<br>-0.1 | ØD<br>+0<br>-0.3 | L<br>Max. | ØG<br>±0.2 |
|------------|-----------|------------------|------------------|------------------|-----------|------------|
| 8          | 12.2      | 8.20             | 13.0             | 15.5             | 43.5      | 17.3       |
| 10         | 12.2      | 11.40            | 15.8             | 18.3             | 42.0      | 21.8       |
| 12         | 12.2      | 14.55            | 21.0             | 23.6             | 42.0      | 25.1       |
| 14         | 12.2      | 17.50            | 21.8             | 24.4             | 42.0      | 28.6       |
| 16         | 14.5      | 20.60            | 25.9             | 29.7             | 44.0      | 30.6       |
| 18         | 14.5      | 23.15            | 28.2             | 31.9             | 44.5      | 33.2       |
| 20         | 15.8      | 26.50            | 32.2             | 36.0             | 48.5      | 36.5       |
| 22         | 15.8      | 29.60            | 34.5             | 38.4             | 48.5      | 39.6       |
| 24         | 14.9      | 32.80            | 37.6             | 41.5             | 48.5      | 43.1       |

**TABLE II: MODIFICATION CODES**

| CONTACT OPTIONS  |  |
|--|--|
| Sym  | Description  |
| <b>B0</b>  | Connector Without Contacts<br>(Only for crimp version) |
| FINISH OPTIONS   |  |
| Sym  | Description and RoHS compliant                         |
| <b>F6</b>  | Black Electrodeposited Paint                           |
| <b>F7</b>  | Black Zinc Nickel                                      |
| <b>F11</b>   | Electroless Nickel                                     |
| <b>MB</b>  | Marine Bronze  |
| <b>Omit for standard version<br/>(Cadmium Olive Drab Finish)</b> |  |



## IPT 01 J In-Line Cable Connector with Backshell, Cable Clamp and Sleeve



### Application Notes

1. In-line cable connector with backshell, incorporated metal sleeve and cable clamp.
2. Connector/Backshell Class "J" (environmental)—No grommet supplied.
3. Standard materials configuration consists of aluminum alloy with stainless steel coupling pins.
4. Standard contact material consists of copper alloy with gold plating over nickel.
5. A broad range of other front and rear connector accessories are available. See our website and/or contact factory for complete information.
6. Standard insert is high insulation synthetic rubber.

**IPT 01 J**  
**In-Line Cable Connector**  
 with Backshell, Cable Clamp and Sleeve



**TABLE I: DIMENSIONS**

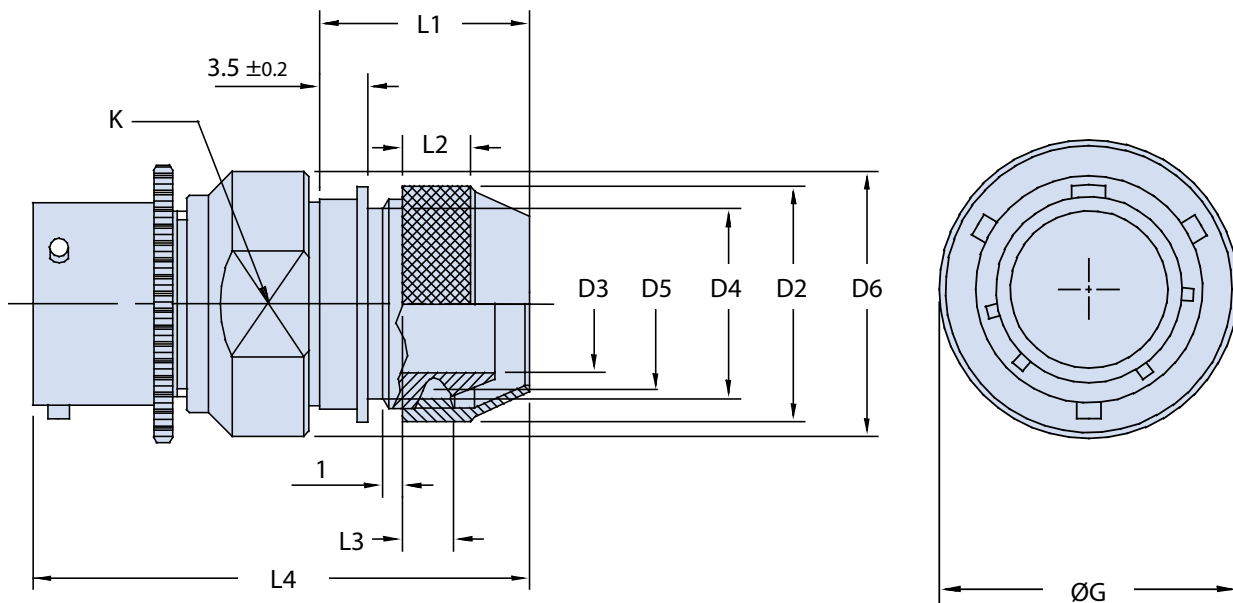
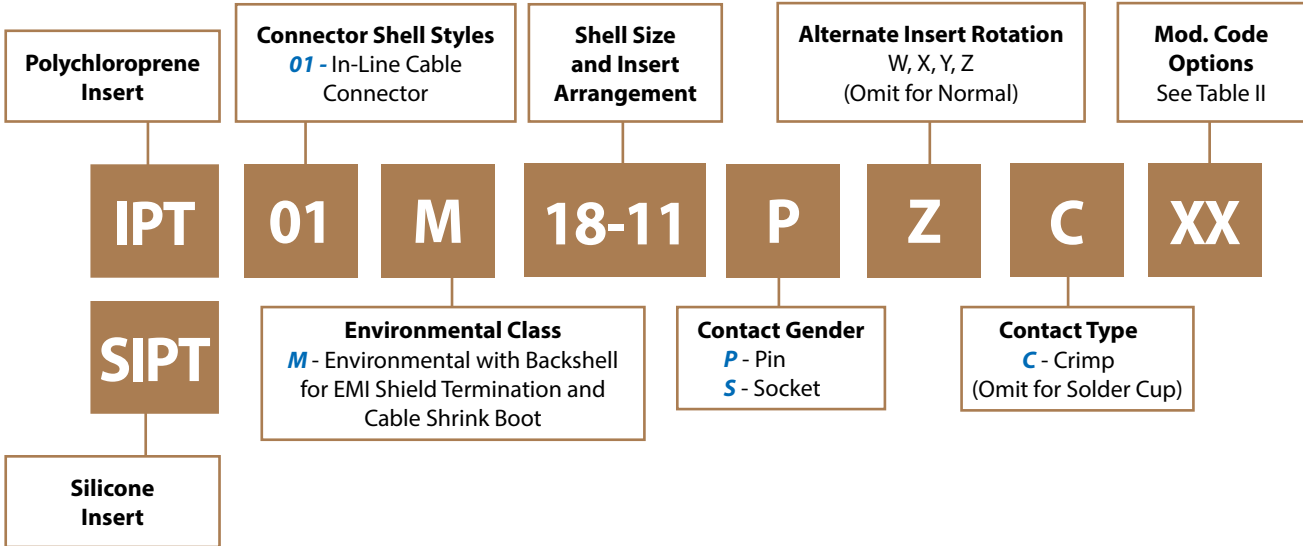
| Shell size | B<br>±0.25 | E<br>±0.2 | ØG<br>±0.2 | L<br>Max. | N<br>Thread |
|------------|------------|-----------|------------|-----------|-------------|
| 8          | 3.2        | 19.10     | 17.3       | 56        | 6 - 32      |
| 10         | 4.8        | 20.70     | 21.8       | 56        | 6 - 32      |
| 12         | 7.9        | 23.90     | 25.1       | 59        | 6 - 32      |
| 14         | 9.5        | 27.00     | 28.6       | 66        | 6 - 32      |
| 16         | 12.7       | 28.60     | 30.6       | 72        | 6 - 32      |
| 18         | 15.9       | 35.00     | 33.2       | 79        | 8 - 32      |
| 20         | 15.9       | 35.00     | 36.5       | 90        | 8 - 32      |
| 22         | 19.0       | 39.75     | 39.6       | 95        | 8 - 32      |
| 24         | 20.3       | 42.10     | 43.1       | 102       | 8 - 32      |

**TABLE II: MODIFICATION CODES**

| CONTACT OPTIONS  |  |
|--|--|
| Sym  | Description  |
| <b>B0</b>  | Connector Without Contacts<br>(Only for crimp version) |
| FINISH OPTIONS   |  |
| Sym  | Description and RoHS compliant                         |
| <b>F6</b>  | Black Electrodeposited Paint                           |
| <b>F7</b>  | Black Zinc Nickel                                      |
| <b>F11</b>   | Electroless Nickel                                     |
| <b>MB</b>  | Marine Bronze  |
| <b>Omit for standard version<br/>(Cadmium Olive Drab Finish)</b> |  |



# IPT 01 M In-Line Cable Connector with Backshell for EMI Shield Termination and Shrink Boot



### Application Notes

1. In-line cable connector with backshell for terminating EMI shielding and attaching heat shrink boots.
2. Connector/Backshell Class "M" (environmental)—Wire sealing grommet supplied.
3. Standard materials configuration consists of aluminum alloy with stainless steel coupling pins.
4. Standard contact material consists of copper alloy with gold plating over nickel.
5. A broad range of other front and rear connector accessories are available. See our website and/or contact factory for complete information.
6. Standard insert is high insulation synthetic rubber.

**IPT 01 M**  
**In-Line Cable Connector**  
with Backshell for  
**EMI Shield Termination and Shrink Boot**



**TABLE I: DIMENSIONS**

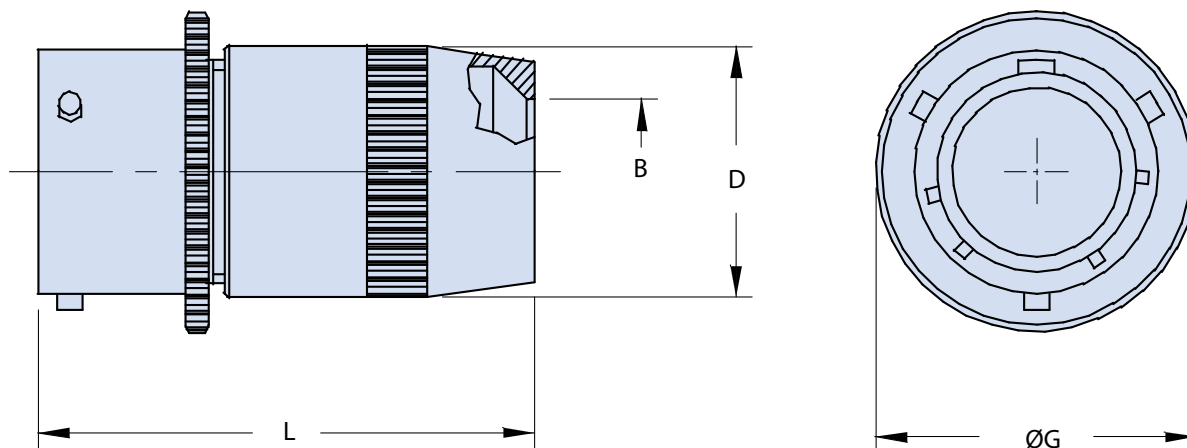
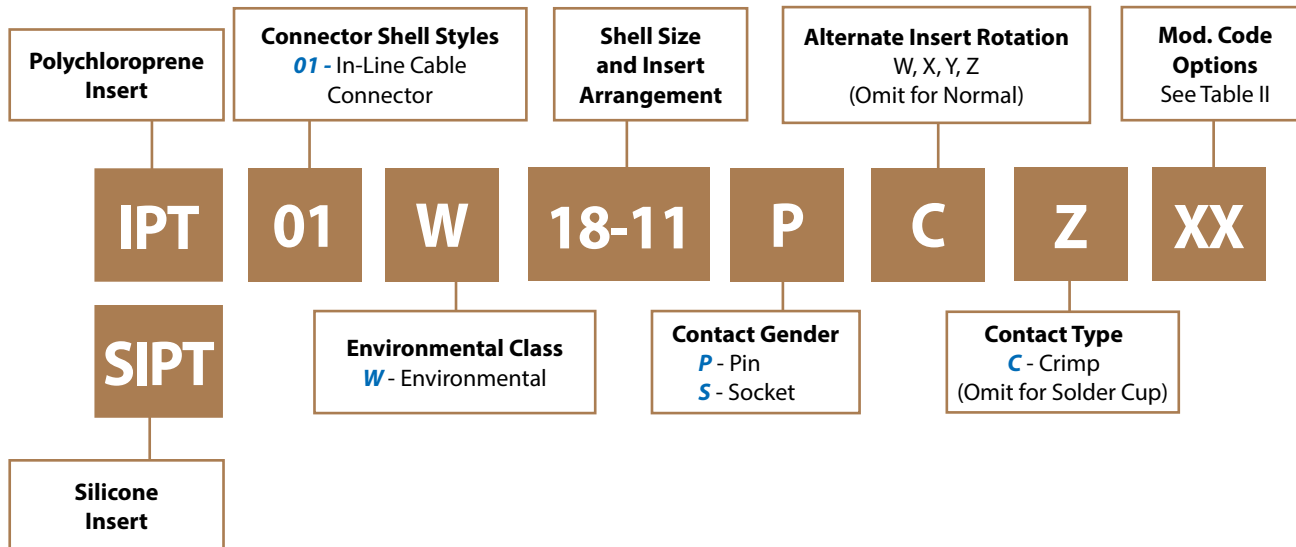
| Shell size | K Key | ØG<br>±0.2 | D2<br>+0.5<br>-0 | D3<br>min. | D4   | D5    | D6<br>Max. | L1<br>+0<br>-2.5 | L2<br>+1.5<br>-0 | L3<br>min. | L4<br>Max. |
|------------|-------|------------|------------------|------------|------|-------|------------|------------------|------------------|------------|------------|
| 8          | 18    | 17.3       | 16               | 6.6        | 13.5 | M14x1 | 20         | 17               | 5                | 4          | 55         |
| 10         | 21    | 21.8       | 18               | 9.2        | 16.0 | M16x1 | 23         | 17               | 5                | 4          | 55         |
| 12         | 24    | 25.1       | 22               | 12.2       | 20.0 | M20x1 | 27         | 17               | 7                | 5          | 55         |
| 14         | 28    | 28.6       | 25               | 15.2       | 22.0 | M23x1 | 30         | 18               | 8                | 6          | 56         |
| 16         | 31    | 30.6       | 28               | 18.3       | 26.0 | M26x1 | 33         | 18               | 8                | 6          | 56         |
| 18         | 34    | 33.2       | 32               | 20.0       | 28.2 | M30x1 | 36         | 18               | 10               | 6          | 56         |
| 20         | 37    | 36.5       | 34               | 23.0       | 30.5 | M32x1 | 40         | 18               | 10               | 6          | 62         |
| 22         | 41    | 39.6       | 38               | 26.0       | 34.5 | M36x1 | 43         | 18               | 10               | 6          | 62         |
| 24         | 44    | 43.1       | 41               | 28.8       | 37.2 | M39x1 | 46         | 18               | 10               | 6          | 64         |

**TABLE II: MODIFICATION CODES**

| CONTACT OPTIONS  |  |
|--|--|
| Sym  | Description  |
| <b>B0</b>  | Connector Without Contacts<br>(Only for crimp version) |
| FINISH OPTIONS   |  |
| Sym  | Description and RoHS compliant                         |
| <b>F7</b>  | Black Zinc Nickel                                      |
| <b>F11</b>   | Electroless Nickel                                     |
| <b>MB</b>  | Marine Bronze  |
| <b>Omit for standard version<br/>(Cadmium Olive Drab Finish)</b> |  |



## IPT 01 W In-Line Cable Connector with Long Backshell, Metal Sleeve and Gland Seal



### Application Notes

1. In-line cable connector with long backshell, incorporated metal sleeve and gland seal. No cable clamp provided.
2. Connector/Backshell Class "W" (environmental)—No grommet supplied.
3. Standard materials configuration consists of aluminum alloy with stainless steel coupling pins.
4. Standard contact material consists of copper alloy with gold plating over nickel.
5. A broad range of other front and rear connector accessories are available. See our website and/or contact factory for complete information.
6. Standard insert is high insulation synthetic rubber.

**IPT 01 W**  
**In-Line Cable Connector**  
with Long Backshell, Metal Sleeve and Gland Seal



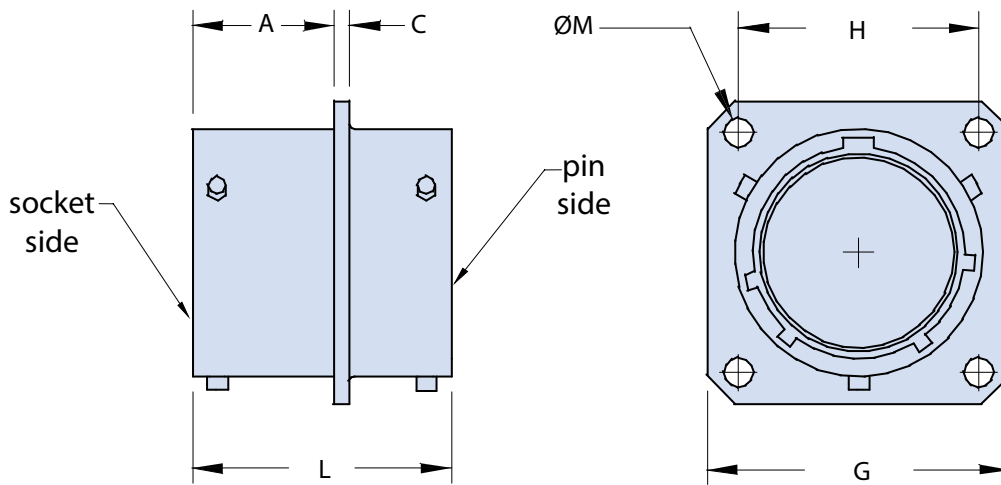
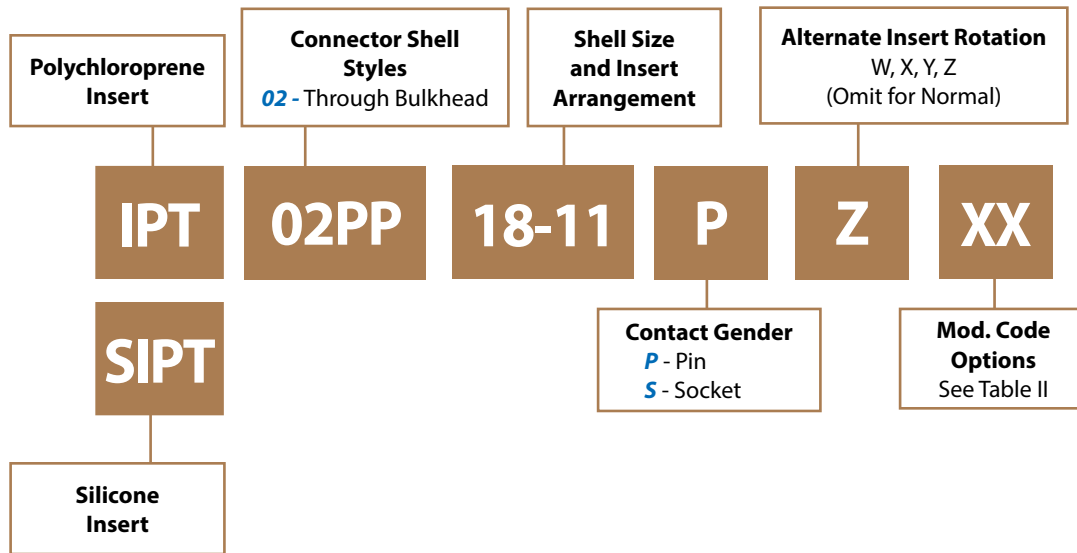
**TABLE I: DIMENSIONS**

| Shell size | B min. | B Max. | D Max. | ØG ±0.2 | L Max. |
|------------|--------|--------|--------|---------|--------|
| 8          | 4.25   | 6.10   | 13.90  | 17.3    | 47.5   |
| 10         | 5.20   | 7.90   | 17.15  | 21.8    | 47.5   |
| 12         | 8.60   | 11.20  | 20.60  | 25.1    | 47.5   |
| 14         | 10.55  | 13.70  | 23.90  | 28.6    | 55.5   |
| 16         | 14.00  | 15.65  | 27.50  | 30.6    | 61.0   |
| 18         | 15.25  | 17.10  | 30.90  | 33.2    | 68.0   |
| 20         | 16.10  | 19.00  | 34.10  | 36.5    | 78.5   |
| 22         | 17.00  | 21.50  | 37.50  | 39.6    | 83.0   |
| 24         | 18.80  | 22.70  | 40.30  | 43.1    | 90.0   |

**TABLE II: MODIFICATION CODES**

| CONTACT OPTIONS  |  |
|--|--|
| Sym  | Description  |
| <b>B0</b>  | Connector Without Contacts<br>(Only for crimp version) |
| FINISH OPTIONS   |  |
| Sym  | Description and RoHS compliant                         |
| <b>F6</b>  | Black Electrodeposited Paint                           |
| <b>F7</b>  | Black Zinc Nickel                                      |
| <b>F11</b>   | Electroless Nickel                                     |
| <b>MB</b>  | Marine Bronze  |
| <b>Omit for standard version<br/>(Cadmium Olive Drab Finish)</b> |  |





### Application Notes

1. Through bulkhead receptacle with solid feedthrough contacts.
2. Through mounting holes.
3. Standard materials configuration consists of aluminum alloy with stainless steel coupling pins.
4. Standard contact material consists of copper alloy with gold plating over nickel.
5. Standard insert is high insulation synthetic rubber.



**IPT 02 PP**  
Through Bulkhead Receptacle



**TABLE I: DIMENSIONS**

| Shell size | A<br>+0.2<br>-0 | C<br>±0.2 | L<br>+0.2<br>-0 | G<br>±0.4 | H<br>±0.1 | ØM<br>+0.1<br>0 |
|------------|-----------------|-----------|-----------------|-----------|-----------|-----------------|
| 8          | 14.5            | 1.6       | 26.5            | 20.6      | 15.10     | 3.04            |
| 10         | 14.5            | 1.6       | 26.5            | 23.8      | 18.25     | 3.04            |
| 12         | 14.5            | 1.6       | 26.5            | 26.2      | 20.60     | 3.04            |
| 14         | 14.5            | 1.6       | 26.5            | 28.6      | 23.00     | 3.04            |
| 16         | 14.5            | 1.6       | 26.5            | 31.0      | 24.60     | 3.04            |
| 18         | 14.5            | 1.6       | 26.5            | 33.3      | 27.00     | 3.04            |
| 20         | 17.8            | 2.5       | 33.5            | 36.5      | 29.40     | 3.04            |
| 22         | 17.8            | 2.5       | 33.5            | 39.7      | 31.75     | 3.04            |
| 24         | 17.8            | 2.5       | 33.5            | 42.8      | 34.92     | 3.73            |

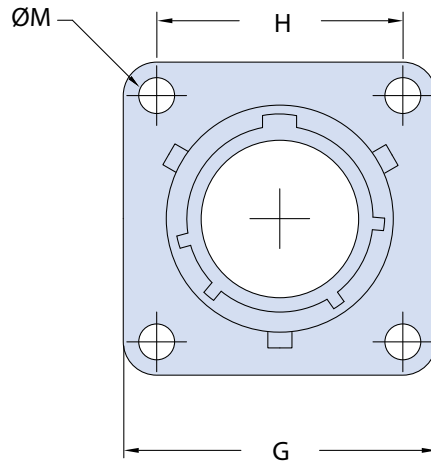
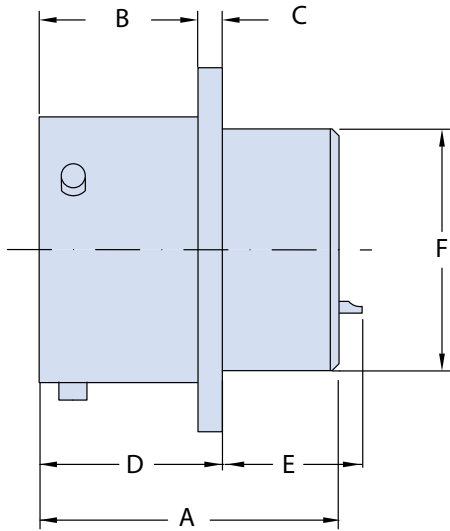
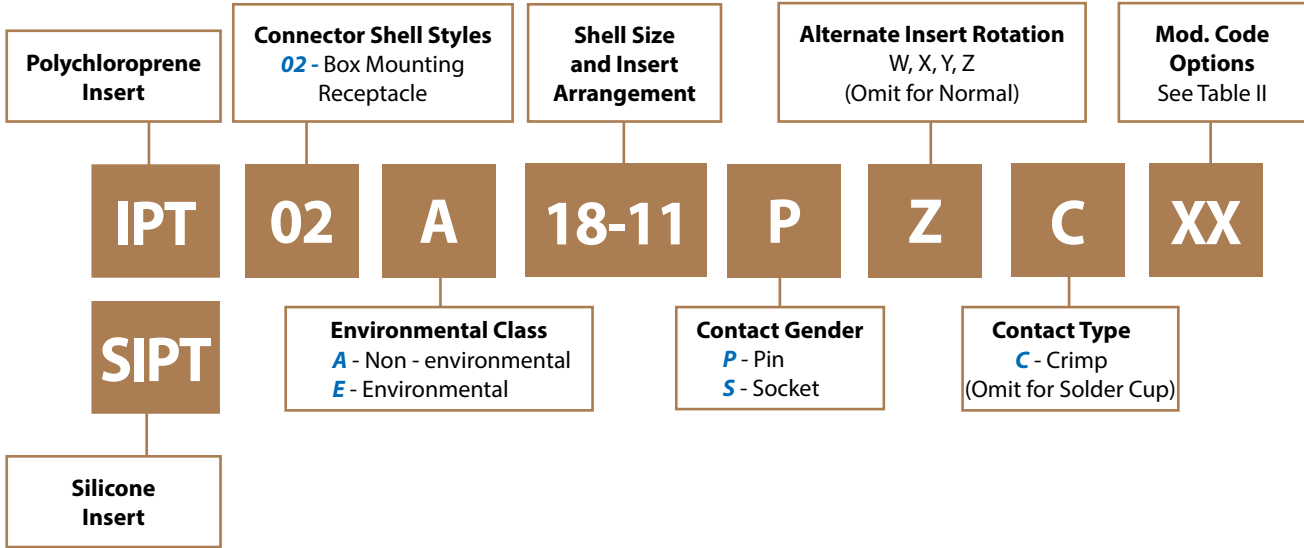
**TABLE II: MODIFICATION CODES**

| FINISH OPTIONS   |                                |
|--|--------------------------------|
| Sym  | Description and RoHS compliant |
| <b>F6</b>  | Black Electrodeposited Paint   |
| <b>F7</b>  | Black Zinc Nickel              |
| <b>F11</b>   | Electroless Nickel             |
| <b>MB</b>  | Marine Bronze                  |
| <b>Omit for standard version<br/>(Cadmium Olive Drab Finish)</b> |                                |





# IPT 02 A and IPT 02 E Box Mounting Receptacle



### Application Notes

1. Box mount receptacle with through mounting holes; no rear accessory threads.
2. Connector Class "A" (non-environmental).  
Connector Class "E" (environmental).
3. Standard materials configuration consists of aluminum alloy with stainless steel coupling pins.
4. Standard contact material consists of copper alloy with gold plating over nickel.
5. Standard insert is high insulation synthetic rubber.

# IPT 02 A and IPT 02 E Box Mounting Receptacle



**TABLE I: DIMENSIONS**

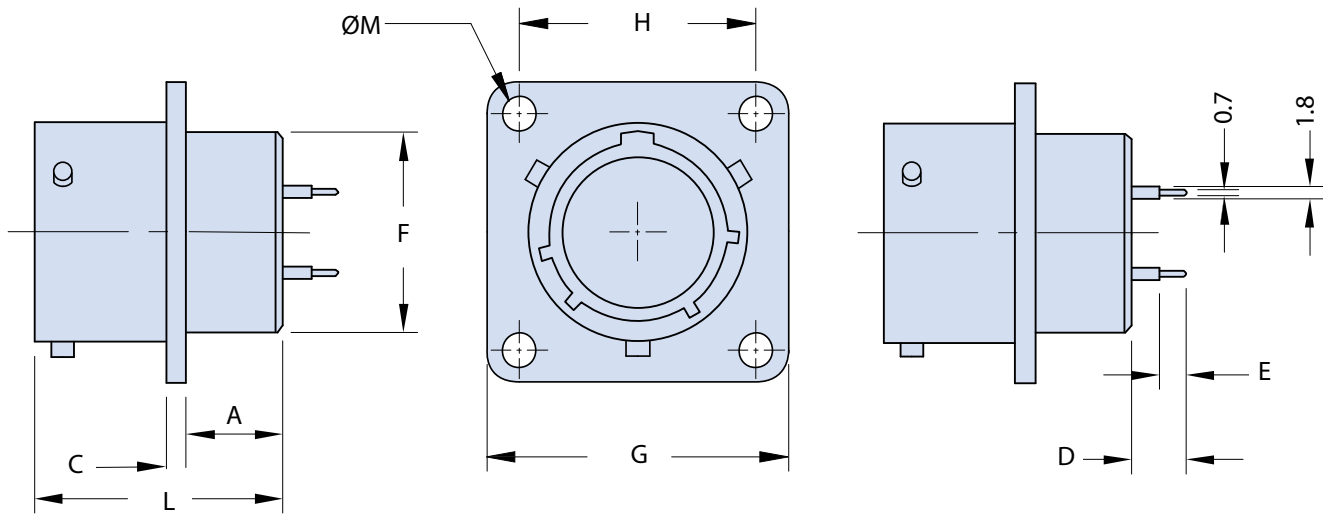
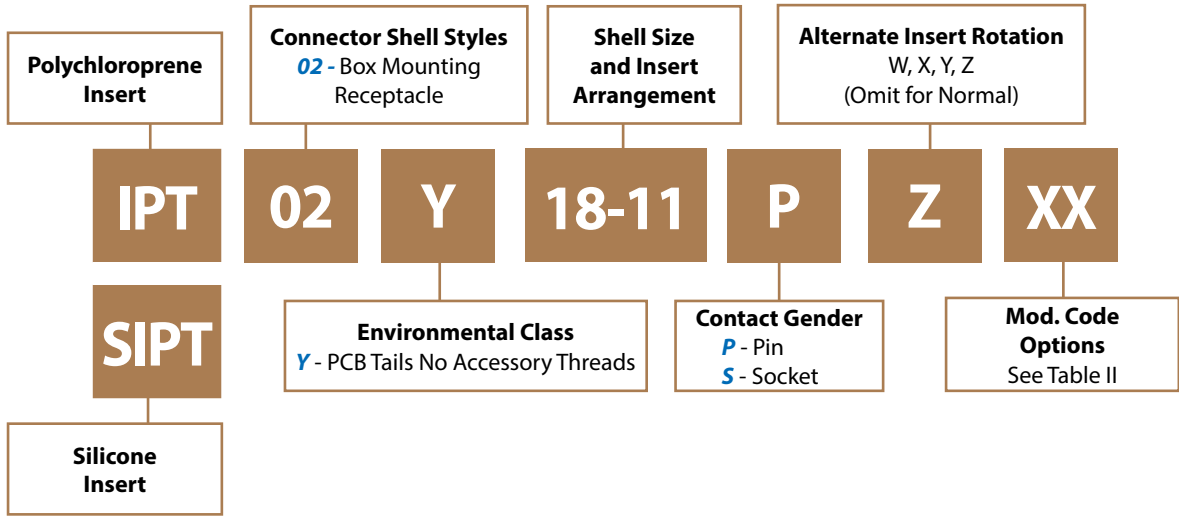
| Shell size | A<br>Max. | B<br>+0.8<br>-0 | C<br>Max. | D<br>+0.6<br>-0.25 | E<br>Max. | F<br>Max. | G<br>±0.4 | H<br>±0.1 | ØM<br>+0.1<br>0 |
|------------|-----------|-----------------|-----------|--------------------|-----------|-----------|-----------|-----------|-----------------|
| 8          | 21.0      | 10.94           | 2.0       | 12.5               | 11.8      | 11.40     | 20.6      | 15.10     | 3.04            |
| 10         | 21.0      | 10.94           | 2.0       | 12.5               | 11.8      | 14.55     | 23.8      | 18.25     | 3.04            |
| 12         | 21.0      | 10.94           | 2.0       | 12.5               | 11.8      | 17.75     | 26.2      | 20.60     | 3.04            |
| 14         | 21.0      | 10.94           | 2.0       | 12.5               | 11.8      | 20.90     | 28.6      | 23.00     | 3.04            |
| 16         | 21.0      | 10.94           | 2.0       | 12.5               | 11.8      | 24.10     | 31.0      | 24.60     | 3.04            |
| 18         | 21.0      | 10.95           | 2.0       | 12.5               | 11.8      | 27.25     | 33.3      | 27.00     | 3.04            |
| 20         | 27.4      | 14.12           | 2.8       | 16.5               | 13.4      | 30.45     | 36.5      | 29.40     | 3.04            |
| 22         | 27.4      | 14.12           | 2.8       | 16.5               | 13.4      | 33.60     | 39.7      | 31.75     | 3.04            |
| 24         | 28.2      | 14.96           | 2.8       | 17.3               | 12.5      | 36.80     | 42.8      | 34.92     | 3.73            |

**TABLE II: MODIFICATION CODES**

| CONTACT OPTIONS  |  |
|--|--|
| Sym  | Description  |
| <b>B0</b>  | Connector Without Contacts<br>(Only for crimp version) |
| FINISH OPTIONS   |  |
| Sym  | Description and RoHS compliant                         |
| <b>F6</b>  | Black Electrodeposited Paint                           |
| <b>F7</b>  | Black Zinc Nickel                                      |
| <b>F11</b>   | Electroless Nickel                                     |
| <b>MB</b>  | Marine Bronze  |
| <b>Omit for standard version<br/>(Cadmium Olive Drab Finish)</b> |  |



## IPT 02 Y Box Mounting Receptacle with Printed Circuit Board Terminations



### Application Notes

1. Box mounting receptacle with PCB tails and no accessory threads. Printed circuit board terminations. Contact factory for custom tail lengths.
2. Through mounting holes.
3. Standard materials configuration consists of aluminum alloy with stainless steel coupling pins.
4. Standard contact material consists of copper alloy with gold plating over nickel.
5. Standard insert is high insulation synthetic rubber.

**IPT 02 Y**  
**Box Mounting Receptacle**  
with Printed Circuit Board Terminations



**TABLE I: DIMENSIONS**

| Shell size | A<br>+0<br>-0.2 | C<br>±0.1 | F<br>Max. | G<br>±0.4 | H<br>±0.1 | ØM<br>+0.1<br>0 | L<br>Max. |
|------------|-----------------|-----------|-----------|-----------|-----------|-----------------|-----------|
| 8          | 6.2             | 1.6       | 11.40     | 20.6      | 15.10     | 3.04            | 19.5      |
| 10         | 6.2             | 1.6       | 14.55     | 23.8      | 18.25     | 3.04            | 19.5      |
| 12         | 6.2             | 1.6       | 17.75     | 26.2      | 20.60     | 3.04            | 19.5      |
| 14         | 6.2             | 1.6       | 20.90     | 28.6      | 23.00     | 3.04            | 19.5      |
| 16         | 6.2             | 1.6       | 24.10     | 31.0      | 24.60     | 3.04            | 19.5      |
| 18         | 6.2             | 1.6       | 27.25     | 33.3      | 27.00     | 3.04            | 19.5      |
| 20         | 7.5             | 2.4       | 30.45     | 36.5      | 29.40     | 3.04            | 24.5      |
| 22         | 7.5             | 2.4       | 33.60     | 39.7      | 31.75     | 3.04            | 24.5      |
| 24         | 7.5             | 2.4       | 36.80     | 42.8      | 34.92     | 3.73            | 25.5      |

**TABLE I: DIMENSIONS (CONTINUED FROM ABOVE)**

| Shell Size | Y         |           | Y1        |           | Y2        |           | YS        |           | YL        |           | YM        |           | YK        |           |
|------------|-----------|-----------|-----------|-----------|-----------|-----------|-----------|-----------|-----------|-----------|-----------|-----------|-----------|-----------|
|            | D<br>±0.4 | E<br>±0.2 | D<br>±0.4 | E<br>±0.2 | D<br>±0.4 | E<br>±0.2 | D<br>±0.4 | E<br>±0.2 | D<br>±0.4 | E<br>±0.2 | D<br>±0.4 | E<br>±0.2 | D<br>±0.4 | E<br>±0.2 |
| 8          | 8.0       | 3.6       | 7.4       | 3.2       | 7.8       | 4.8       | 5.8       | 3.2       | 10.9      | 6.0       | 12.4      | 7.2       | 8.9       | 7.1       |
| 10         | 8.0       | 3.6       | 7.4       | 3.2       | 7.8       | 4.8       | 5.8       | 3.2       | 10.9      | 6.0       | 12.4      | 7.2       | 8.9       | 7.1       |
| 12         | 8.0       | 3.6       | 7.4       | 3.2       | 7.8       | 4.8       | 5.8       | 3.2       | 10.9      | 6.0       | 12.4      | 7.2       | 8.9       | 7.1       |
| 14         | 8.0       | 3.6       | 7.4       | 3.2       | 7.8       | 4.8       | 5.8       | 3.2       | 10.9      | 6.0       | 12.4      | 7.2       | 8.9       | 7.1       |
| 16         | 8.0       | 3.6       | 7.4       | 3.2       | 7.8       | 4.8       | 5.8       | 3.2       | 10.9      | 6.0       | 12.4      | 7.2       | 8.9       | 7.1       |
| 18         | 8.0       | 3.6       | 7.4       | 3.2       | 7.8       | 4.8       | 5.8       | 3.2       | 10.9      | 6.0       | 12.4      | 7.2       | 8.9       | 7.1       |
| 20         | 7.8       | 3.6       | 7.6       | 3.2       | -         | -         | 7.5       | 3.2       | 9.3       | 6.0       | -         | -         | 8.1       | 7.1       |
| 22         | 7.8       | 3.6       | 7.6       | 3.2       | -         | -         | 7.5       | 3.2       | 9.3       | 6.0       | -         | -         | 8.1       | 7.1       |
| 24         | 6.7       | 3.6       | 6.5       | 3.2       | -         | -         | 6.4       | 3.2       | 8.2       | 6.0       | -         | -         | 8.1       | 7.1       |

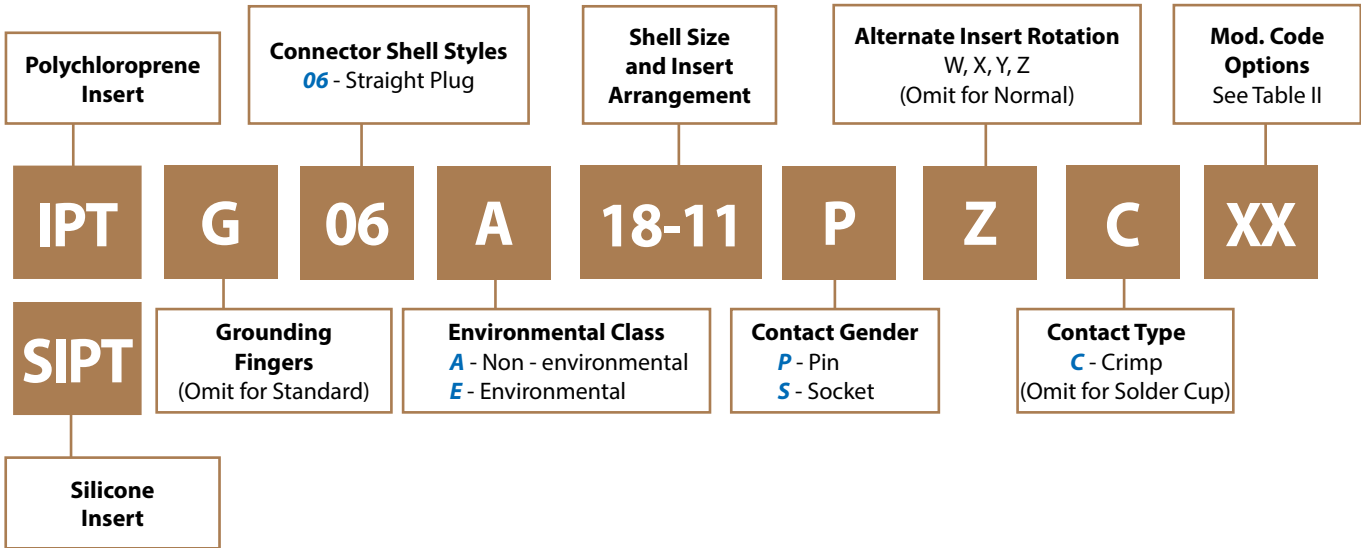
**TABLE II: MODIFICATION CODES**

| FINISH OPTIONS   |                                |
|--|--------------------------------|
| Sym  | Description and RoHS compliant |
| <b>F6</b>  | Black Electrodeposited Paint   |
| <b>F7</b>  | Black Zinc Nickel              |
| <b>F11</b>   | Electroless Nickel             |
| <b>MB</b>  | Marine Bronze                  |
| <b>Omit for standard version<br/>(Cadmium Olive Drab Finish)</b> |                                |

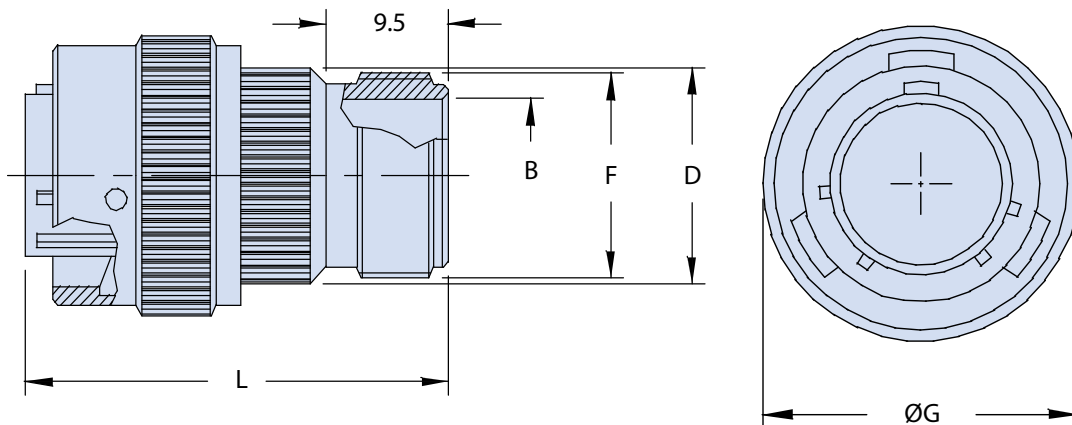


# IPT 06 A

## Straight Plug Connector with Backshell to Accommodate MS3057 Cable Clamp (Not Included)



C



- Application Notes**
1. Straight plug with backshell for attachment of cable clamp MS3057-A/B/C (not included).
  2. Connector Class "A" (non-environmental)--no grommet supplied.
  3. Connector Class "E" (environmental)--Wire sealing grommet supplied.
  4. Standard materials configuration consists of aluminum alloy.
  5. Standard contact material consists of copper alloy with gold plating over nickel.
  6. A broad range of other front and rear connector accessories are available. See our website and/or contact factory for complete information.
  7. Standard insert is high insulation synthetic rubber.

**IPT 06 A**  
**Straight Plug Connector**  
with Backshell to Accommodate  
**MS3057 Cable Clamp (Not Included)**



**TABLE I: DIMENSIONS**

| Shell size | B min. | D Max. | F Thread in inches | ØG ±0.2 | L Max. |
|------------|--------|--------|--------------------|---------|--------|
| 8          | 6.6    | 15.00  | .5000 - 28 UNEF    | 18.10   | 45.90  |
| 10         | 9.2    | 18.20  | .6250 - 24 UNEF    | 21.05   | 45.90  |
| 12         | 12.2   | 21.20  | .7500 - 20 UNEF    | 25.15   | 45.90  |
| 14         | 15.2   | 24.60  | .8750 - 20 UNEF    | 28.40   | 45.90  |
| 16         | 18.3   | 27.60  | 1.0000 - 20 UNEF   | 31.60   | 45.90  |
| 18         | 20.0   | 30.90  | 1.1875 - 18 UNEF   | 35.00   | 45.90  |
| 20         | 23.0   | 33.80  | 1.1875 - 18 UNEF   | 37.70   | 50.00  |
| 22         | 26.0   | 37.10  | 1.4375 - 18 UNEF   | 40.20   | 50.00  |
| 24         | 28.8   | 40.25  | 1.4375 - 18 UNEF   | 44.00   | 50.00  |

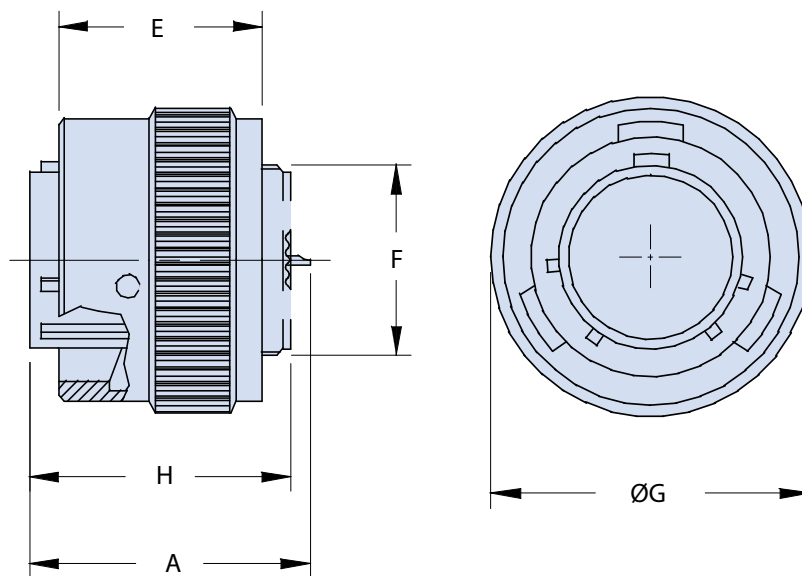
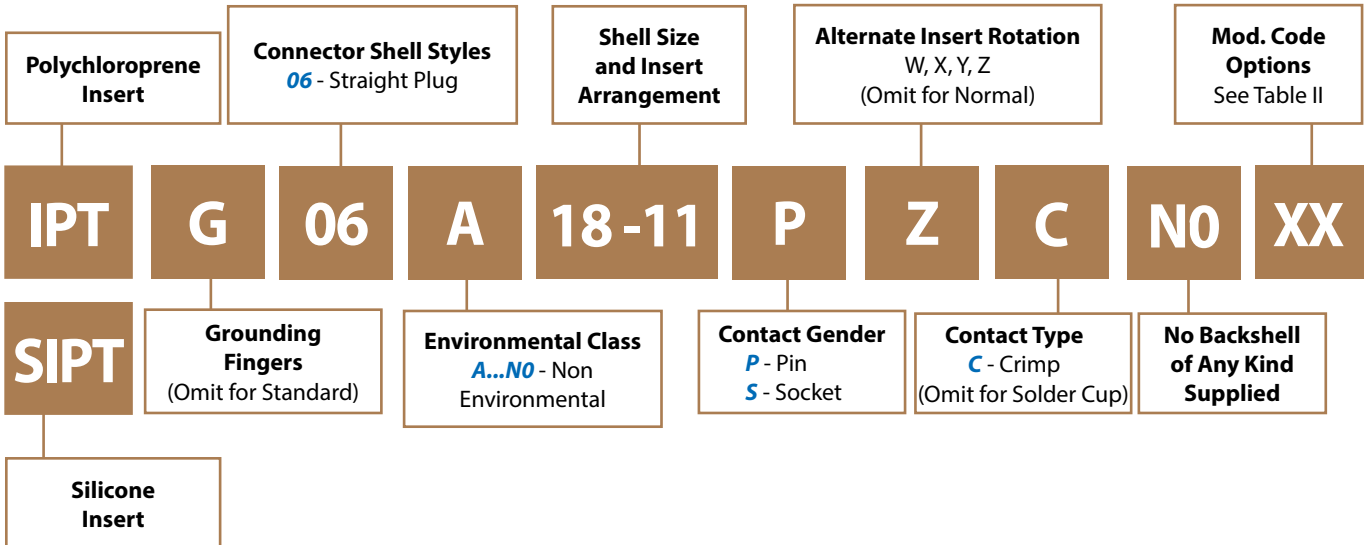
**TABLE II: MODIFICATION CODES**

| CONTACT OPTIONS  |  |
|--|--|
| Sym  | Description  |
| <b>B0</b>  | Connector Without Contacts<br>(Only for crimp version) |
| FINISH OPTIONS   |  |
| Sym  | Description and RoHS compliant                         |
| <b>F6</b>  | Black Electrodeposited Paint                           |
| <b>F7</b>  | Black Zinc Nickel                                      |
| <b>F11</b>   | Electroless Nickel                                     |
| <b>MB</b>  | Marine Bronze  |
| <b>Omit for standard version<br/>(Cadmium Olive Drab Finish)</b> |  |





# IPT 06 A...N0 Straight Plug Connector with Accessory Threads



## Application Notes

1. Straight plug without backshell.
2. Connector Class "A" (non-environmental)—no grommet supplied.
3. Standard materials configuration consists of aluminum alloy.
4. Standard contact material consists of copper alloy with gold plating over nickel.
5. A broad range of other front and rear connector accessories are available. See our website and/or contact factory for complete information.
6. Standard insert is high insulation synthetic rubber.



**IPT 06 A...N0**  
**Straight Plug Connector**  
**with Accessory Threads**



**TABLE I: DIMENSIONS**

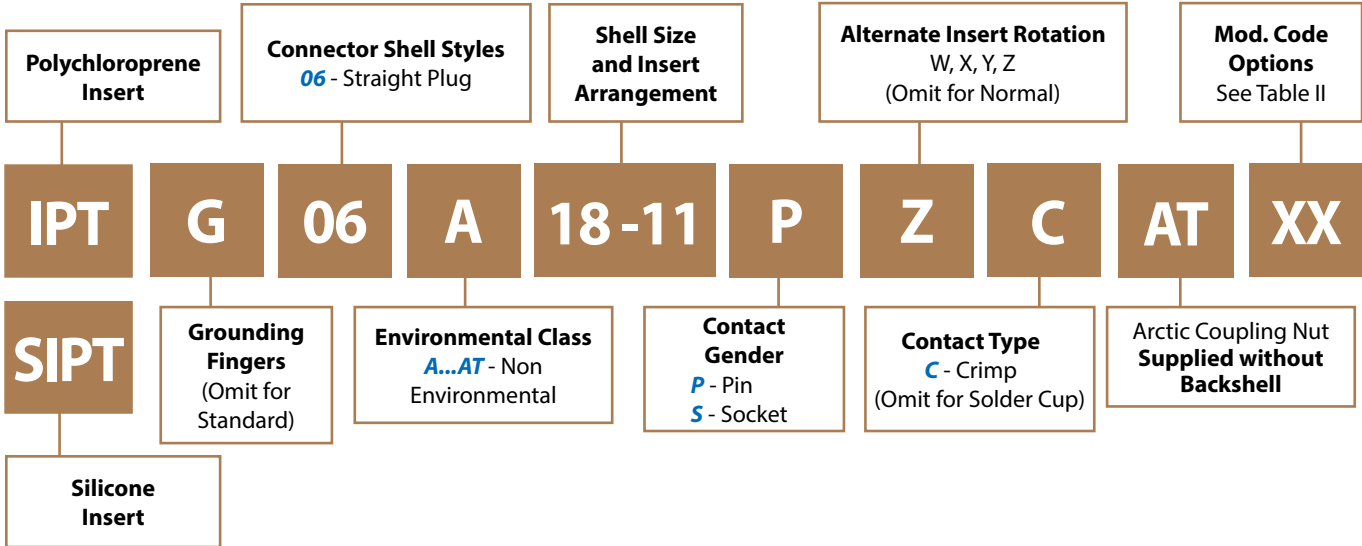
| Shell size | A<br>Max. | H<br>±0.2 | E<br>±0.2 | ØG<br>±0.2 | F<br>Thread in inches |
|------------|-----------|-----------|-----------|------------|-----------------------|
| 8          | 25.4      | 21.4      | 18        | 18.10      | .4375 - 28 UNEF       |
| 10         | 25.4      | 21.4      | 18        | 21.05      | .5625 - 24 UNEF       |
| 12         | 25.4      | 21.4      | 18        | 25.15      | .6875 - 20 UNEF       |
| 14         | 25.4      | 21.4      | 18        | 28.40      | .8125 - 20 UNEF       |
| 16         | 25.4      | 21.4      | 18        | 31.60      | .8375 - 20 UNEF       |
| 18         | 25.4      | 21.4      | 18        | 35.00      | 1.0625 - 18 UNEF      |
| 20         | 27.8      | 25.4      | 19        | 37.70      | 1.1875 - 18 UNEF      |
| 22         | 27.8      | 25.4      | 19        | 40.20      | 1.3125 - 18 UNEF      |
| 24         | 29.4      | 27.0      | 20        | 44.00      | 1.4375 - 18 UNEF      |

**TABLE II: MODIFICATION CODES**

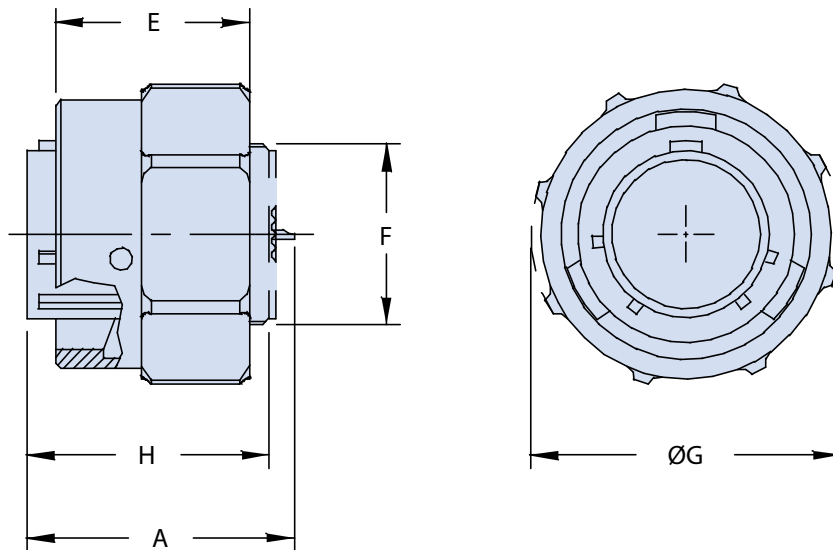
| CONTACT OPTIONS  |  |
|--|--|
| Sym  | Description  |
| <b>B0</b>  | Connector Without Contacts<br>(Only for crimp version) |
| FINISH OPTIONS   |  |
| Sym  | Description and RoHS compliant                         |
| <b>F6</b>  | Black Electrodeposited Paint                           |
| <b>F7</b>  | Black Zinc Nickel                                      |
| <b>F11</b>   | Electroless Nickel                                     |
| <b>MB</b>  | Marine Bronze  |
| <b>Omit for standard version<br/>(Cadmium Olive Drab Finish)</b> |  |



**IPT 06 A... AT**  
**Straight Plug Connector**  
with Accessory Threads and Arctic Coupling Nut



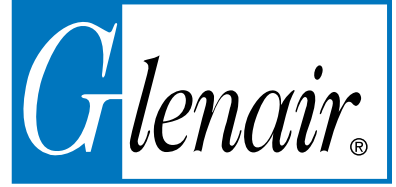
C



**Application Notes**

1. Straight plug with Arctic coupling nut (IAW BS9522 F0017).
2. Connector Class "A" (non-environmental)—no grommet supplied.
3. Standard materials configuration consists of aluminum alloy.
4. Standard contact material consists of copper alloy with gold plating over nickel.
5. A broad range of other front and rear connector accessories are available. See our website and/or contact factory for complete information.
6. Standard insert is high insulation synthetic rubber.

**IPT 06 A...AT**  
**Straight Plug Connector**  
with Accessory Threads and Arctic Coupling Nut



**TABLE I: DIMENSIONS**

| Shell size | A<br>Max. | H<br>±0.2 | E<br>±0.2 | ØG<br>±0.2 | F<br>Thread in inches |
|------------|-----------|-----------|-----------|------------|-----------------------|
| 8          | 25.4      | 21.4      | 18        | 22.5       | .4375 - 28 UNEF       |
| 10         | 25.4      | 21.4      | 18        | 24.8       | .5625 - 24 UNEF       |
| 12         | 25.4      | 21.4      | 18        | 30.2       | .6875 - 20 UNEF       |
| 14         | 25.4      | 21.4      | 18        | 33.6       | .8125 - 20 UNEF       |
| 16         | 25.4      | 21.4      | 18        | 37.3       | .8375 - 20 UNEF       |
| 18         | 25.4      | 21.4      | 18        | 39.7       | 1.0625 - 18 UNEF      |
| 20         | 27.8      | 25.4      | 19        | 43.3       | 1.1875 - 18 UNEF      |
| 22         | 27.8      | 25.4      | 19        | 47.6       | 1.3125 - 18 UNEF      |
| 24         | 29.4      | 27.0      | 20        | 49.7       | 1.4375 - 18 UNEF      |

For accessories and external dimensions see IPT06.

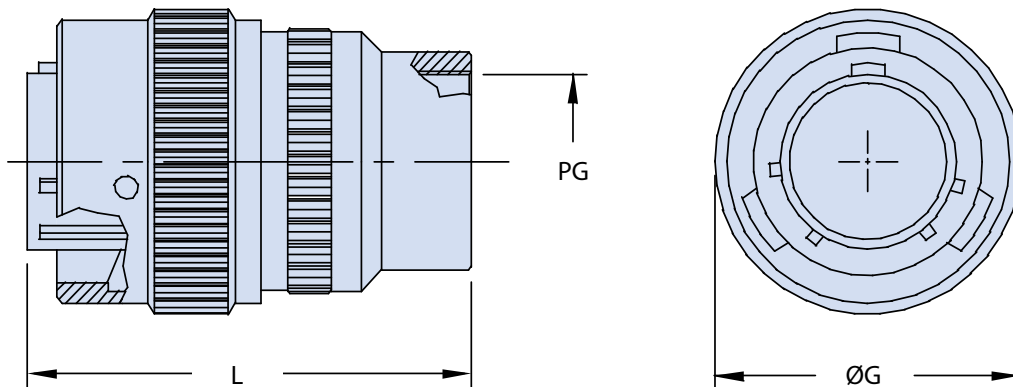
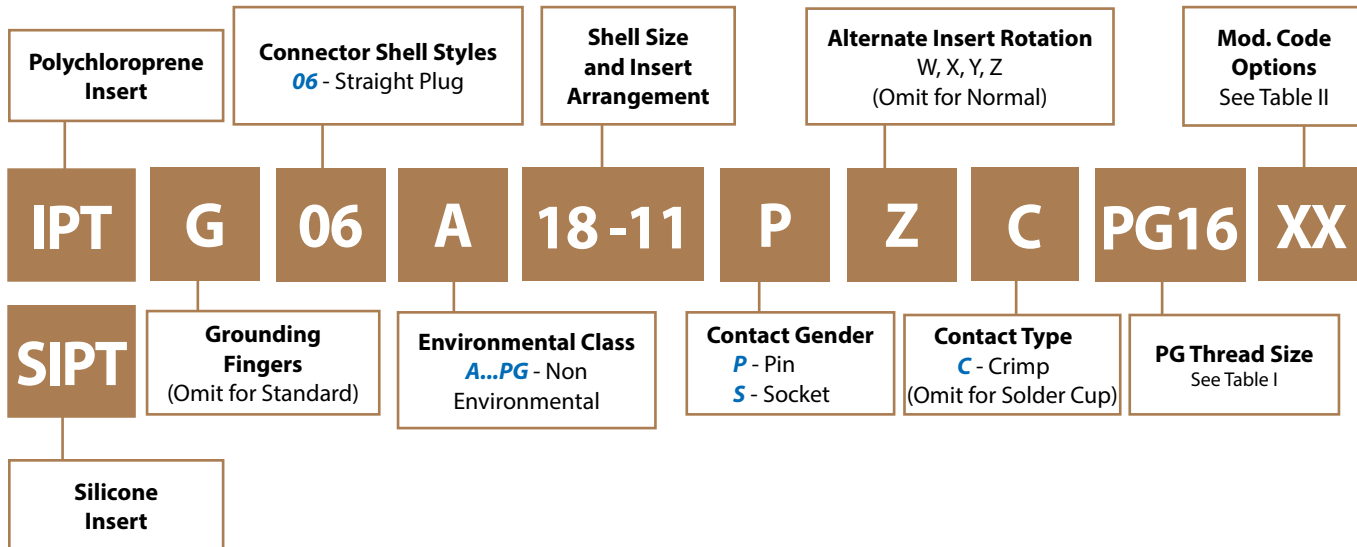
**TABLE II: MODIFICATION CODES**

| CONTACT OPTIONS  |  |
|--|--|
| Sym  | Description  |
| <b>B0</b>  | Connector Without Contacts<br>(Only for crimp version) |
| FINISH OPTIONS   |  |
| Sym  | Description and RoHS compliant                         |
| <b>F6</b>  | Black Electrodeposited Paint                           |
| <b>F7</b>  | Black Zinc Nickel                                      |
| <b>F11</b>   | Electroless Nickel                                     |
| <b>MB</b>  | Marine Bronze  |
| <b>Omit for standard version<br/>(Cadmium Olive Drab Finish)</b> |  |





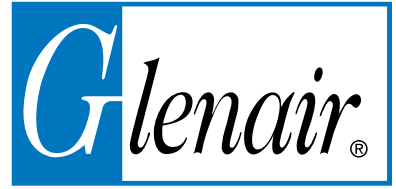
# IPT 06 A...PG\_\_ Straight Plug Connector with PG Threaded Backshell



## Application Notes

1. Straight plug with backshell for use with PG glands (not included). Other PG sizes and types available upon request.
2. Connector Class "A" (non-environmental)—no grommet supplied.
3. Standard materials configuration consists of aluminum alloy.
4. Standard contact material consists of copper alloy with gold plating over nickel.
5. A broad range of other front and rear connector accessories are available. See our website and/or contact factory for complete information.
6. Standard insert is high insulation synthetic rubber.

**IPT 06 A...PG \_\_**  
**Straight Plug Connector**  
**with PG Threaded Backshell**



**TABLE I: DIMENSIONS**

| Shell size | L<br>Max | PG<br>Thread   | ØG<br>±0.2 |
|------------|----------|----------------|------------|
| 8          | 41       | 7 / 9          | 18.10      |
| 10         | 41       | 9              | 21.05      |
| 12         | 51       | 11             | 25.15      |
| 14         | 51       | 11 / 13.5 / 16 | 28.40      |
| 16         | 56       | 11 / 13.5 / 16 | 31.60      |
| 18         | 56       | 13.5 / 16      | 35.00      |
| 20         | 57       | 13.5 / 16      | 37.70      |
| 22         | 62       | 13.5 / 16 / 21 | 40.20      |
| 24         | 64       | 13.5 / 16 / 21 | 44.00      |

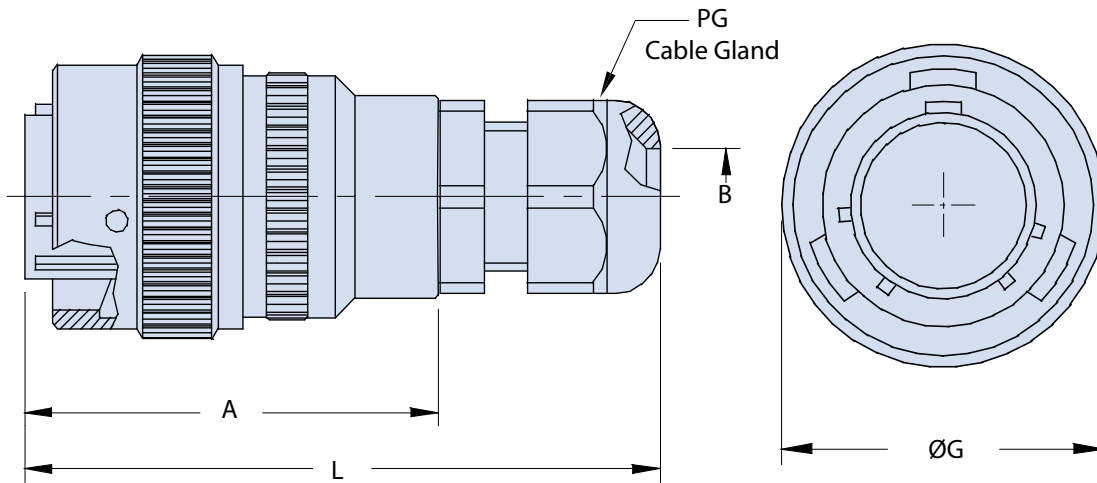
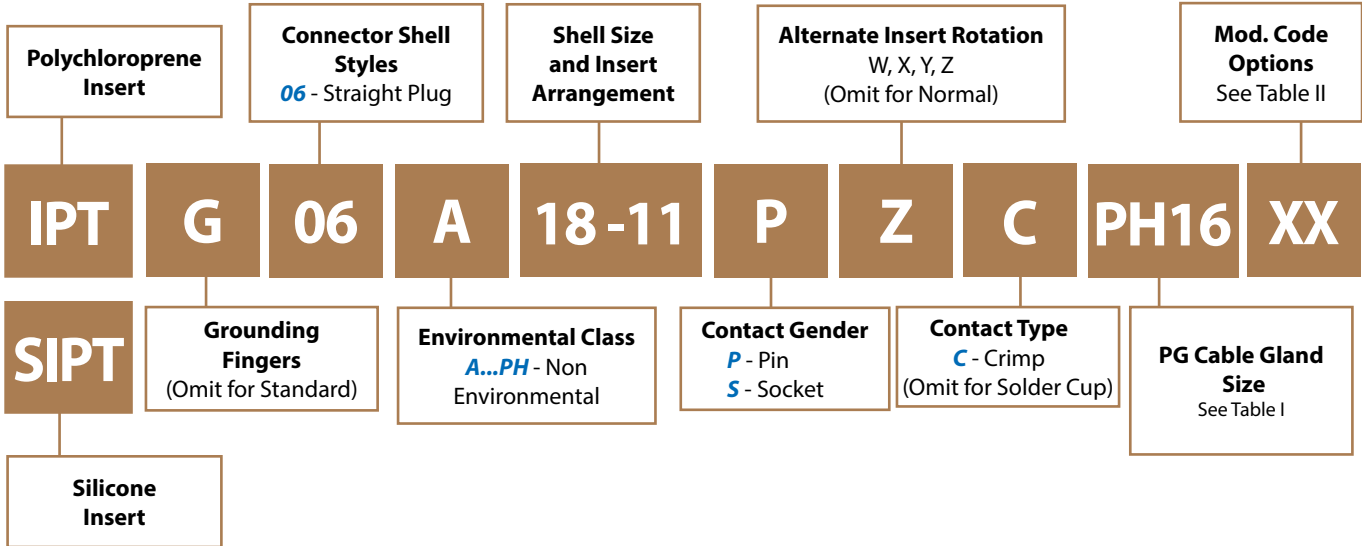
**TABLE II: MODIFICATION CODES**

| CONTACT OPTIONS  |  |
|--|--|
| Sym  | Description  |
| <b>B0</b>  | Connector Without Contacts<br>(Only for crimp version) |
| FINISH OPTIONS   |  |
| Sym  | Description and RoHS compliant                         |
| <b>F6</b>  | Black Electrodeposited Paint                           |
| <b>F7</b>  | Black Zinc Nickel                                      |
| <b>F11</b>   | Electroless Nickel                                     |
| <b>MB</b>  | Marine Bronze  |
| <b>Omit for standard version<br/>(Cadmium Olive Drab Finish)</b> |  |





## IPT 06 A...PH\_\_ Straight Plug Connector with Backshell and PG Cable Gland



### Application Notes

1. Straight plug with backshell and plastic PG cable gland. Other types of PG adapters can be supplied in various sizes upon request.
2. Connector Class "A" (non-environmental)—no grommet supplied.
3. Standard materials configuration consists of aluminum alloy.
4. Standard contact material consists of copper alloy with gold plating over nickel.
5. A broad range of other front and rear connector accessories are available. See our website and/or contact factory for complete information.
6. Standard insert is high insulation synthetic rubber.

**IPT 06 A...PH\_\_**  
**Straight Plug Connector**  
**with Backshell and PG Cable Gland**



**TABLE I: DIMENSIONS**

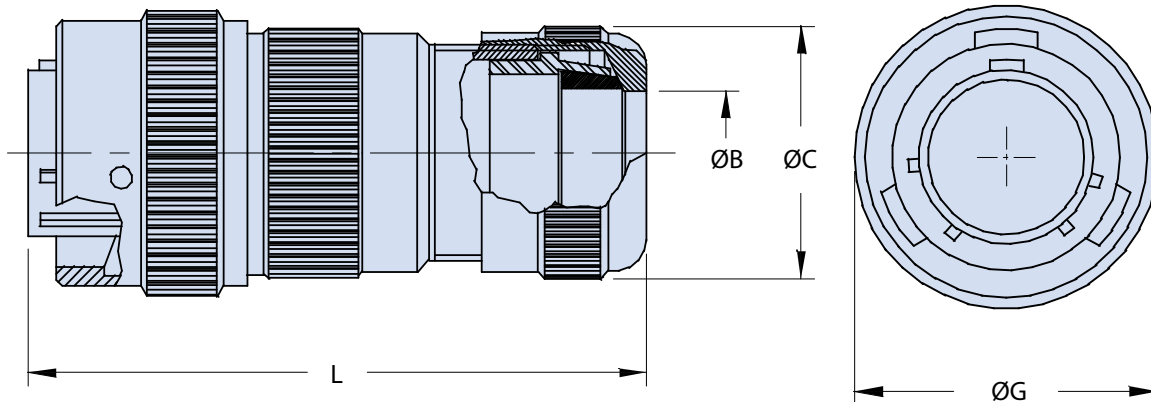
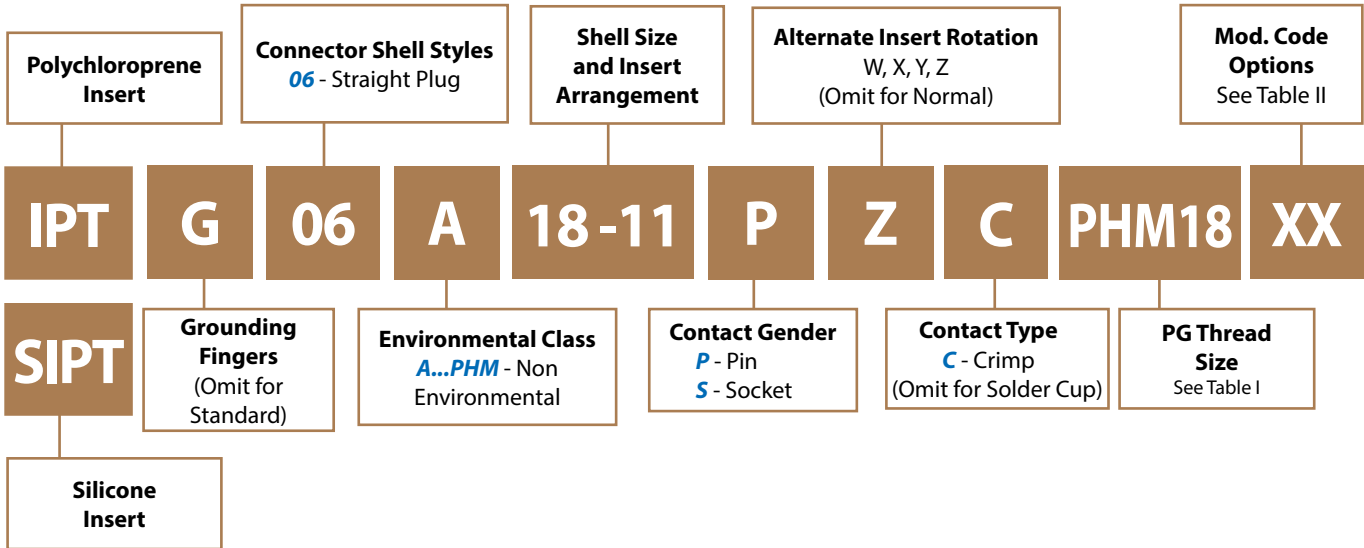
| Shell size | A<br>Max | B<br>min. - max.          | PG<br>Cable Gland<br>Size | L<br>Max. | ØG<br>±0.2 |
|------------|----------|---------------------------|---------------------------|-----------|------------|
| 8          | 41       | 3 - 6.5 / 4 - 8           | 7 / 9                     | 65.00     | 18.10      |
| 10         | 41       | 4 - 8                     | 9                         | 65.00     | 21.05      |
| 12         | 51       | 5 - 10                    | 11                        | 77.50     | 25.15      |
| 14         | 51       | 5 - 10 / 6 - 12 / 9 - 14  | 11 / 13.5 / 16            | 81.00     | 28.40      |
| 16         | 56       | 5 - 10 / 6 - 12 / 9 - 14  | 11 / 13.5 / 16            | 86.00     | 31.60      |
| 18         | 56       | 6 - 12 / 9 - 14           | 13.5 / 16                 | 86.00     | 35.00      |
| 20         | 57       | 6 - 12 / 9 - 14           | 13.5 / 16                 | 87.00     | 37.70      |
| 22         | 62       | 6 - 12 / 9 - 14 / 13 - 18 | 13.5 / 16 / 21            | 98.00     | 40.20      |
| 24         | 64       | 6 - 12 / 9 - 14 / 13 - 18 | 13 5 / 16 / 21            | 100.00    | 44.00      |

**TABLE II: MODIFICATION CODES**

| CONTACT OPTIONS  |  |
|--|--|
| Sym  | Description  |
| <b>B0</b>  | Connector Without Contacts<br>(Only for crimp version) |
| FINISH OPTIONS   |  |
| Sym  | Description and RoHS compliant                         |
| <b>F6</b>  | Black Electrodeposited Paint                           |
| <b>F7</b>  | Black Zinc Nickel                                      |
| <b>F11</b>   | Electroless Nickel                                     |
| <b>MB</b>  | Marine Bronze  |
| <b>Omit for standard version<br/>(Cadmium Olive Drab Finish)</b> |  |



**IPT 06 A...PHM\_ \_**  
**Straight Plug Connector**  
**with PHM Backshell**  
**and Sleeves to Accommodate Various Cable Sizes**



**Application Notes**

1. Straight plug with PHM backshell includes rubber sleeves to allow use of different diameter cables.
2. Connector Class "A" (non-environmental)—no grommet supplied.
3. Standard materials configuration consists of aluminum alloy.
4. Standard contact material consists of copper alloy with gold plating over nickel.
5. A broad range of other front and rear connector accessories are available. See our website and/or contact factory for complete information.
6. Standard insert is high insulation synthetic rubber.



**IPT 06 A...PHM\_\_**  
**Straight Plug Connector**  
**with PHM Backshell**  
**and Sleeves to Accommodate Various Cable Sizes**



**TABLE I: DIMENSIONS**

| Shell size | P.N. PHM     | ØB<br>min. - Max.            | ØC<br>Max. | ØG<br>±0.2 | L<br>Max. |
|------------|--------------|------------------------------|------------|------------|-----------|
| 8          | 7            | 2 - 7                        | 15         | 18.10      | 55.00     |
| 10         | 9            | 2 - 9                        | 21         | 21.05      | 55.00     |
| 12         | 11           | 2 - 11                       | 24         | 25.15      | 65.00     |
| 14         | 11           | 2 - 11                       | 24         | 28.40      | 65.00     |
| 16         | 11           | 2 - 11                       | 24         | 31.60      | 65.00     |
| 18         | 11 / 18      | 2 - 11 / 9 - 16.5            | 42         | 35.00      | 80.00     |
| 20         | 18           | 9 - 16.5                     | 42         | 37.70      | 80.00     |
| 22         | 18           | 9 - 16.5                     | 42         | 40.20      | 80.00     |
| 24         | 18 / 22 / 24 | 9 - 16.5 / 15 - 20 / 19 - 24 | 42         | 44.00      | 80.00     |

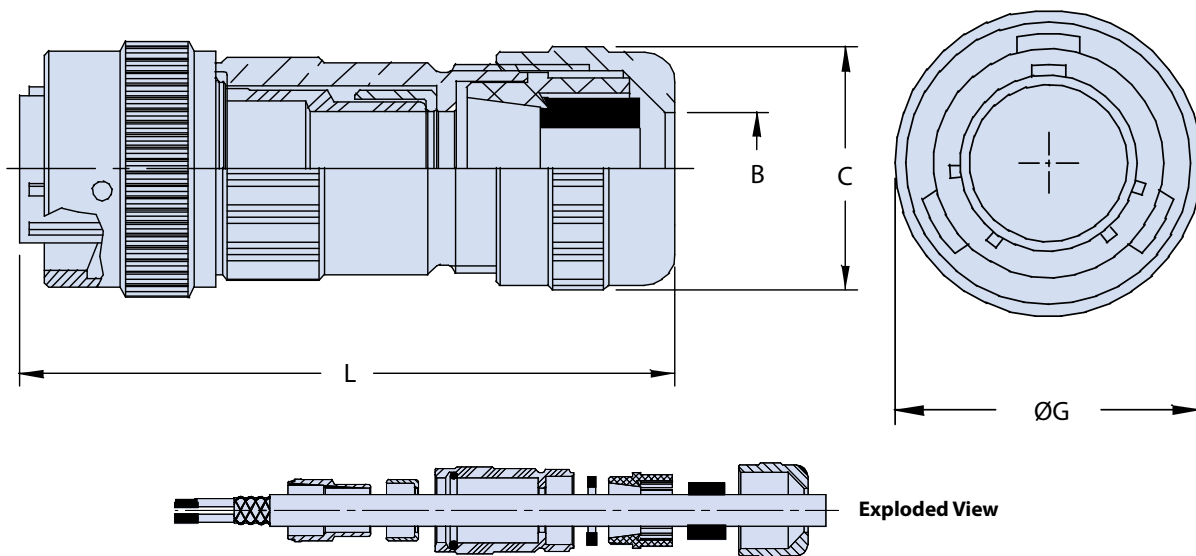
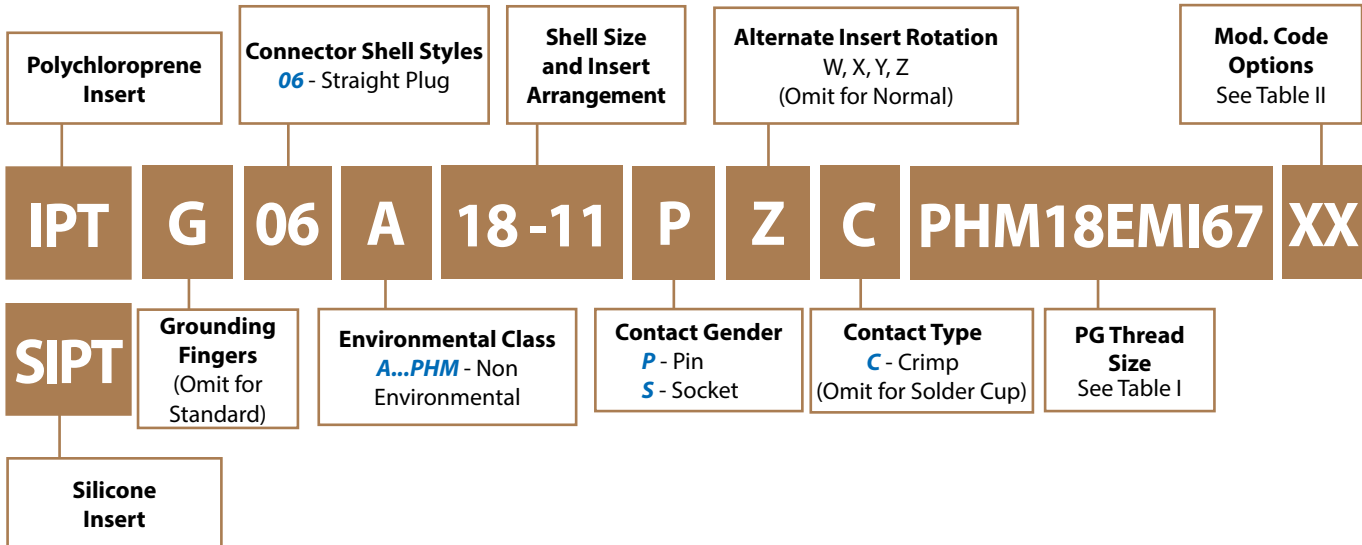
**TABLE II: MODIFICATION CODES**

| CONTACT OPTIONS  |  |
|--|--|
| Sym  | Description  |
| <b>B0</b>  | Connector Without Contacts<br>(Only for crimp version) |
| FINISH OPTIONS   |  |
| Sym  | Description and RoHS compliant                         |
| <b>F6</b>  | Black Electrodeposited Paint                           |
| <b>F7</b>  | Black Zinc Nickel                                      |
| <b>F11</b>   | Electroless Nickel                                     |
| <b>MB</b>  | Marine Bronze  |
| <b>Omit for standard version<br/>(Cadmium Olive Drab Finish)</b> |  |





**IPT 06 A...PHM\_\_EMI67**  
**Straight Plug Connector**  
with Backshell for EMI Shield Termination



**Application Notes**

1. Straight plug with PHM backshell includes rubber sleeves to allow use of different diameter cables.
2. Connector Class "A" (non-environmental)—no grommet supplied. PHM connector accessory provides environmental sealing to IP67.
3. Standard materials configuration consists of aluminum alloy.
4. Standard contact material consists of copper alloy with gold plating over nickel.
5. A broad range of other front and rear connector accessories are available. See our website and/or contact factory for complete information.
6. Standard insert is high insulation synthetic rubber.

**IPT 06 A...PHM\_\_EMI67**  
**Straight Plug Connector**  
**with Backshell for EMI Shield Termination**



**TABLE I: DIMENSIONS**

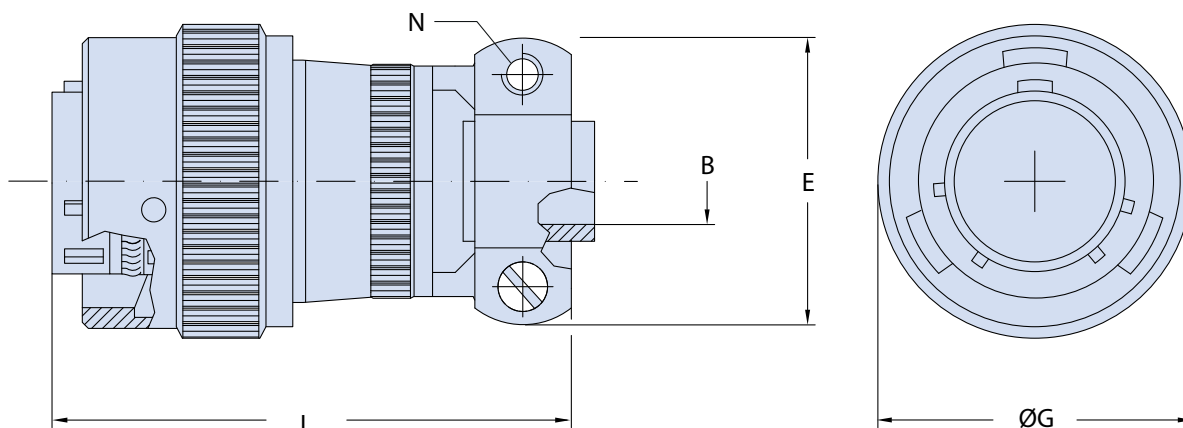
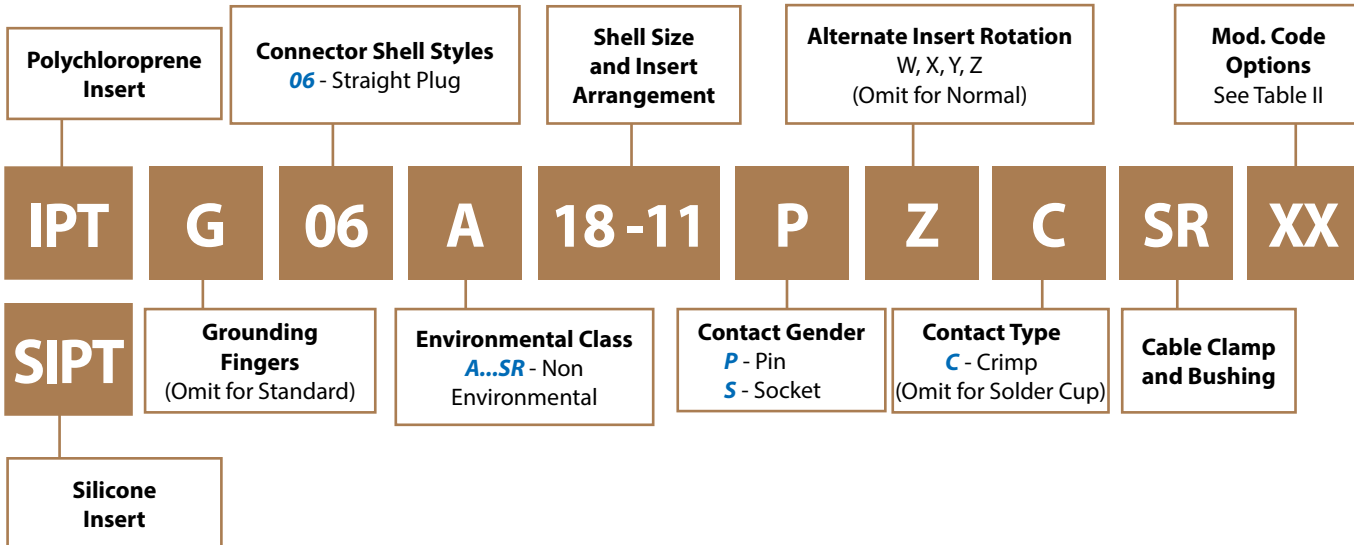
| Shell size | P.N. PHM     | B<br>min. - max.             | C<br>Max. | ØG<br>±0.2 | L<br>Max. |
|------------|--------------|------------------------------|-----------|------------|-----------|
| 8          | 7            | 2 - 7                        | 15.0      | 18.10      | 75        |
| 10         | 9            | 2 - 9                        | 21.0      | 21.05      | 75        |
| 12         | 11           | 2 - 11                       | 24.0      | 25.15      | 85        |
| 14         | 11           | 2 - 11                       | 24.0      | 28.40      | 85        |
| 16         | 11           | 2 - 11                       | 24.0      | 31.60      | 85        |
| 18         | 11 / 18      | 2 - 11 / 9 - 16.5            | 42.0      | 35.00      | 100       |
| 20         | 18           | 9 - 16.5                     | 42.0      | 37.70      | 100       |
| 22         | 18           | 9 - 16.5                     | 42.0      | 40.20      | 100       |
| 24         | 18 / 22 / 24 | 9 - 16.5 / 15 - 20 / 19 - 24 | 42.0      | 44.00      | 100       |

**TABLE II: MODIFICATION CODES**

| CONTACT OPTIONS  |  |
|--|--|
| Sym  | Description  |
| <b>B0</b>  | Connector Without Contacts<br>(Only for crimp version) |
| FINISH OPTIONS   |  |
| Sym  | Description and RoHS compliant                         |
| <b>F7</b>  | Black Zinc Nickel                                      |
| <b>F11</b>   | Electroless Nickel                                     |
| <b>MB</b>  | Marine Bronze  |
| <b>Omit for standard version<br/>(Cadmium Olive Drab Finish)</b> |  |



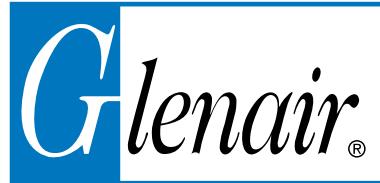
## IPT 06 A...SR Straight Plug Connector with Backshell, Cable Clamp and Bushing



### Application Notes

1. Straight plug with cable clamp and bushing.
2. Connector Class "A" (non-environmental)—no grommet supplied.
3. Standard materials configuration consists of aluminum alloy.
4. Standard contact material consists of copper alloy with gold plating over nickel.
5. A broad range of other front and rear connector accessories are available. See our website and/or contact factory for complete information.
6. Standard insert is high insulation synthetic rubber.

**IPT 06 A...SR**  
**Straight Plug Connector**  
with Backshell, Cable Clamp and Bushing



IPT Series  
Bayonet Lock  
Connectors

**TABLE I: DIMENSIONS**

| Shell size | B<br>±0.25 | E<br>±0.2 | ØG<br>±0.2 | L<br>Max. | N<br>Thread |
|------------|------------|-----------|------------|-----------|-------------|
| 8          | 3.2        | 19.10     | 18.10      | 48.5      | 6 - 32      |
| 10         | 4.8        | 20.70     | 21.05      | 48.5      | 6 - 32      |
| 12         | 7.9        | 23.90     | 25.15      | 48.5      | 6 - 32      |
| 14         | 9.5        | 27.00     | 28.40      | 48.5      | 6 - 32      |
| 16         | 12.7       | 28.60     | 31.60      | 52.0      | 6 - 32      |
| 18         | 15.9       | 35.00     | 35.00      | 52.0      | 8 - 32      |
| 20         | 15.9       | 35.00     | 37.70      | 59.0      | 8 - 32      |
| 22         | 19.0       | 39.75     | 40.20      | 59.0      | 8 - 32      |
| 24         | 20.3       | 42.10     | 44.00      | 61.0      | 8 - 32      |

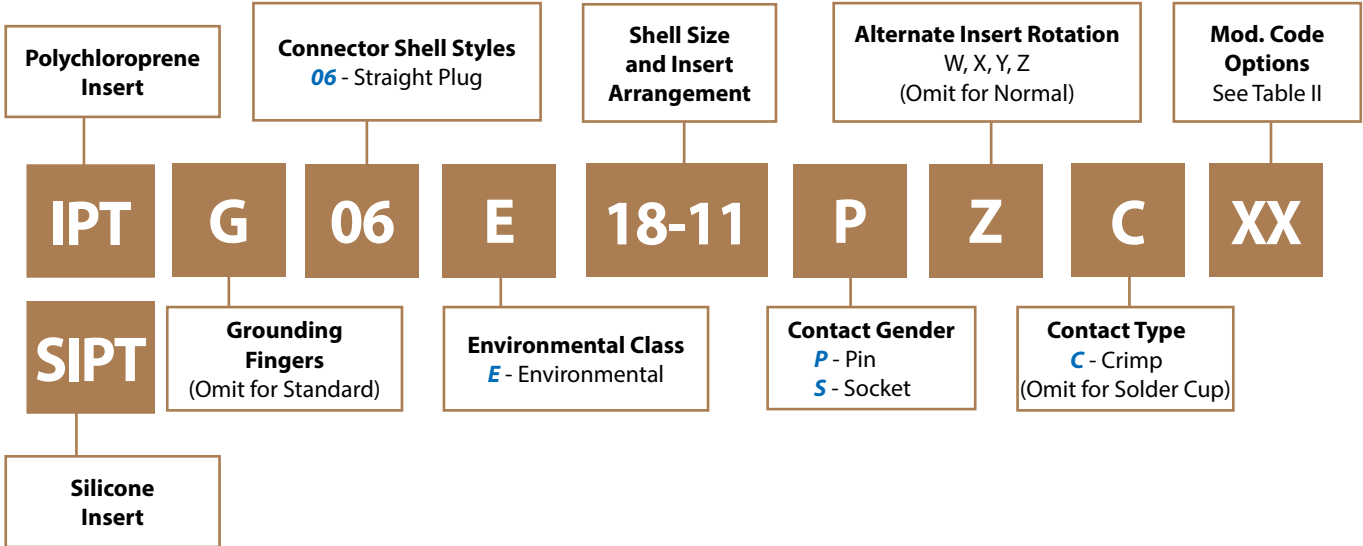
**TABLE II: MODIFICATION CODES**

| CONTACT OPTIONS  |  |
|--|--|
| Sym  | Description  |
| <b>B0</b>  | Connector Without Contacts<br>(Only for crimp version) |
| FINISH OPTIONS   |  |
| Sym  | Description and RoHS compliant                         |
| <b>F6</b>  | Black Electrodeposited Paint                           |
| <b>F7</b>  | Black Zinc Nickel                                      |
| <b>F11</b>   | Electroless Nickel                                     |
| <b>MB</b>  | Marine Bronze  |
| <b>Omit for standard version<br/>(Cadmium Olive Drab Finish)</b> |  |

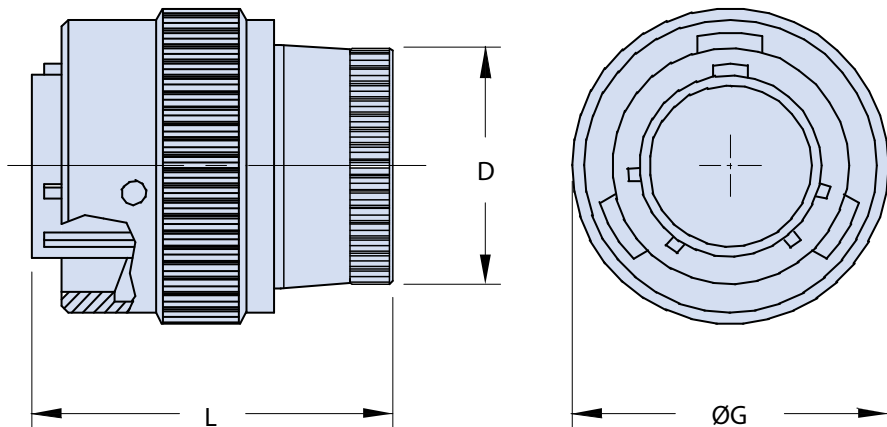
C



# IPT 06 E Straight Plug Connector with General Duty Backshell



C



- Application Notes**
1. Straight plug with grommet and simple backshell for use with open wire bundles.
  2. Connector Class "E" (environmental)—Wire sealing grommet supplied.
  3. Standard materials configuration consists of aluminum alloy.
  4. Standard contact material consists of copper alloy with gold plating over nickel.
  5. A broad range of other front and rear connector accessories are available. See our website and/or contact factory for complete information.
  6. Standard insert is high insulation synthetic rubber.

**IPT 06 E**  
**Straight Plug Connector**  
**with General Duty Backshell**



**TABLE I: DIMENSIONS**

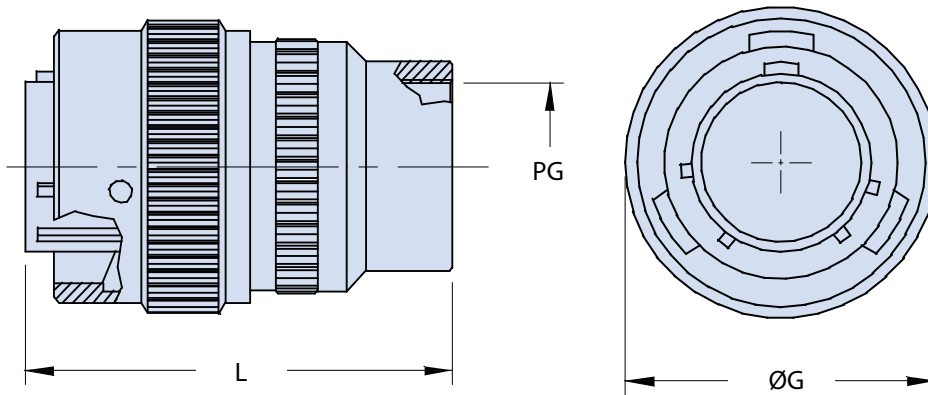
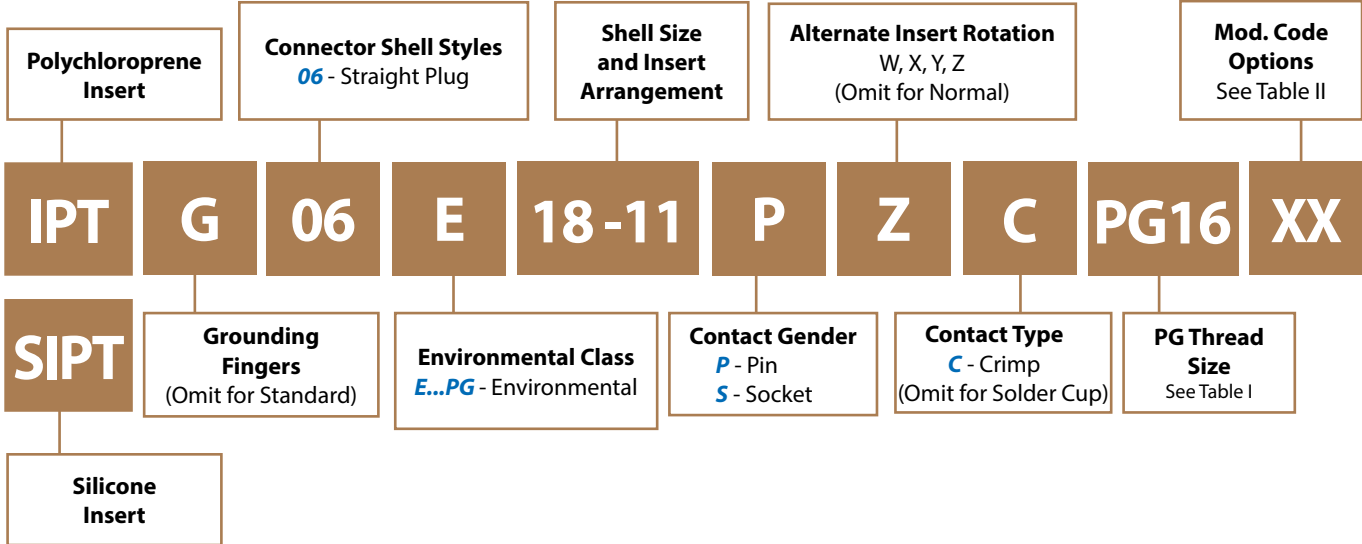
| Shell size | D<br>Max. | ØG<br>±0.2 | L<br>Max. |
|------------|-----------|------------|-----------|
| 8          | 14.20     | 18.10      | 32.15     |
| 10         | 17.40     | 21.05      | 32.15     |
| 12         | 20.65     | 25.15      | 32.15     |
| 14         | 23.60     | 28.40      | 32.15     |
| 16         | 26.85     | 31.60      | 32.15     |
| 18         | 29.85     | 35.00      | 32.15     |
| 20         | 33.00     | 37.70      | 36.50     |
| 22         | 36.30     | 40.20      | 36.50     |
| 24         | 39.50     | 44.00      | 38.10     |

**TABLE II: MODIFICATION CODES**

| CONTACT OPTIONS  |  |
|--|--|
| Sym  | Description  |
| <b>B0</b>  | Connector Without Contacts<br>(Only for crimp version) |
| FINISH OPTIONS   |  |
| Sym  | Description and RoHS compliant                         |
| <b>F6</b>  | Black Electrodeposited Paint                           |
| <b>F7</b>  | Black Zinc Nickel                                      |
| <b>F11</b>   | Electroless Nickel                                     |
| <b>MB</b>  | Marine Bronze  |
| <b>Omit for standard version<br/>(Cadmium Olive Drab Finish)</b> |  |



# IPT 06 E...PG\_\_ Straight Plug Connector with PG Threaded Backshell



## Application Notes

1. Straight plug with backshell for use with PG glands (not included). Other PG sizes and types available upon request.
2. Connector Class "E" (environmental)—Wire sealing grommet supplied.
3. Standard materials configuration consists of aluminum alloy.
4. Standard contact material consists of copper alloy with gold plating over nickel.
5. A broad range of other front and rear connector accessories are available. See our website and/or contact factory for complete information.
6. Standard insert is high insulation synthetic rubber.



**IPT 06 E...PG \_\_**  
**Straight Plug Connector**  
**with PG Threaded Backshell**



**TABLE I: DIMENSIONS**

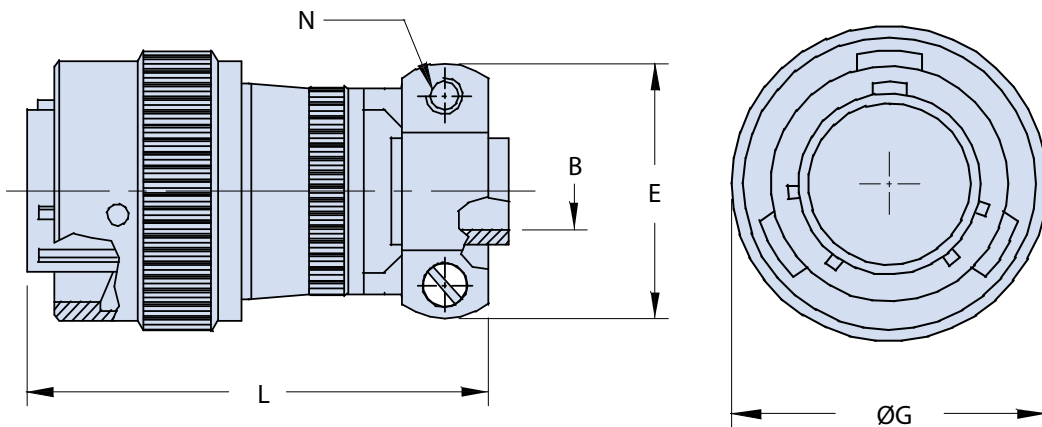
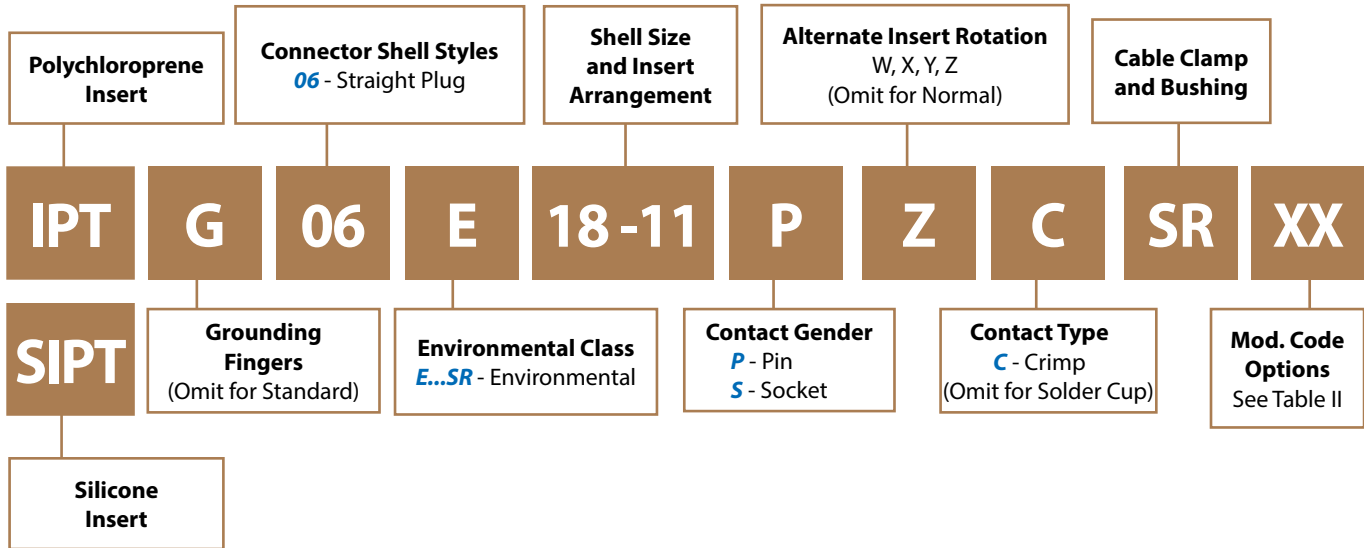
| Shell size | L<br>Max | PG Thread      | ØG<br>±0.2 |
|------------|----------|----------------|------------|
| 8          | 41       | 7 / 9          | 18.10      |
| 10         | 41       | 9              | 21.05      |
| 12         | 51       | 11             | 25.15      |
| 14         | 51       | 11 / 13.5 / 16 | 28.40      |
| 16         | 56       | 11 / 13.5 / 16 | 31.60      |
| 18         | 56       | 13.5 / 16      | 35.00      |
| 20         | 57       | 13.5 / 16      | 37.70      |
| 22         | 62       | 13.5 / 16 / 21 | 40.20      |
| 24         | 64       | 13.5 / 16 / 21 | 44.00      |

**TABLE II: MODIFICATION CODES**

| CONTACT OPTIONS  |  |
|--|--|
| Sym  | Description  |
| <b>B0</b>  | Connector Without Contacts<br>(Only for crimp version) |
| FINISH OPTIONS   |  |
| Sym  | Description and RoHS compliant                         |
| <b>F6</b>  | Black Electrodeposited Paint                           |
| <b>F7</b>  | Black Zinc Nickel                                      |
| <b>F11</b>   | Electroless Nickel                                     |
| <b>MB</b>  | Marine Bronze  |
| <b>Omit for standard version<br/>(Cadmium Olive Drab Finish)</b> |  |



## IPT 06 E...SR Straight Plug Connector with Backshell, Cable Clamp and Bushing



### Application Notes

1. Straight plug with cable clamp and bushing for cable protection.
2. Connector Class "E" (environmental)—Wire sealing grommet supplied.
3. Standard materials configuration consists of aluminum alloy.
4. Standard contact material consists of copper alloy with gold plating over nickel.
5. A broad range of other front and rear connector accessories are available. See our website and/or contact factory for complete information.
6. Standard insert is high insulation synthetic rubber.

**IPT 06 E...SR**  
**Straight Plug Connector**  
with Backshell, Cable Clamp and Bushing



**TABLE I: DIMENSIONS**

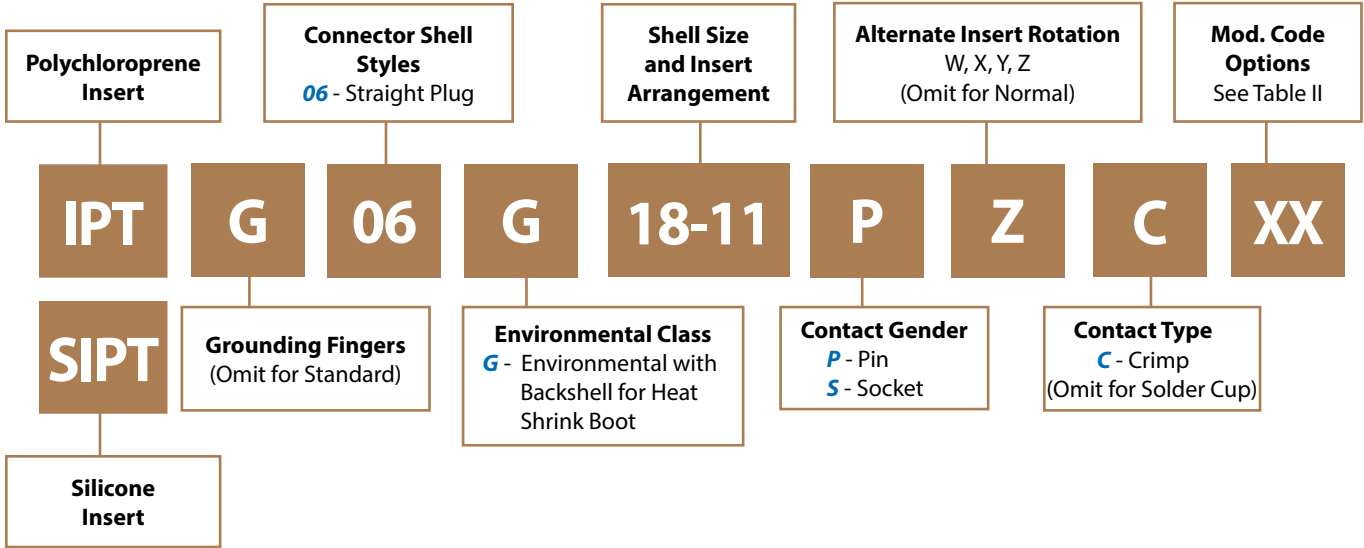
| Shell size | B<br>±0.25 | C<br>min. | E<br>±0.2 | ØG<br>±0.2 | L<br>Max. | N<br>Thread |
|------------|------------|-----------|-----------|------------|-----------|-------------|
| 8          | 3.2        | 6.10      | 19.10     | 18.10      | 48.5      | 6 - 32      |
| 10         | 4.8        | 7.70      | 20.70     | 21.05      | 48.5      | 6 - 32      |
| 12         | 7.9        | 10.90     | 23.90     | 25.15      | 48.5      | 6 - 32      |
| 14         | 9.5        | 14.00     | 27.00     | 28.40      | 48.5      | 6 - 32      |
| 16         | 12.7       | 15.60     | 28.60     | 31.60      | 52.0      | 6 - 32      |
| 18         | 15.9       | 18.80     | 35.00     | 35.00      | 52.0      | 8 - 32      |
| 20         | 15.9       | 18.80     | 35.00     | 37.70      | 59.0      | 8 - 32      |
| 22         | 19.0       | 23.60     | 39.75     | 40.20      | 59.0      | 8 - 32      |
| 24         | 20.3       | 25.15     | 42.10     | 44.00      | 61.0      | 8 - 32      |

**TABLE II: MODIFICATION CODES**

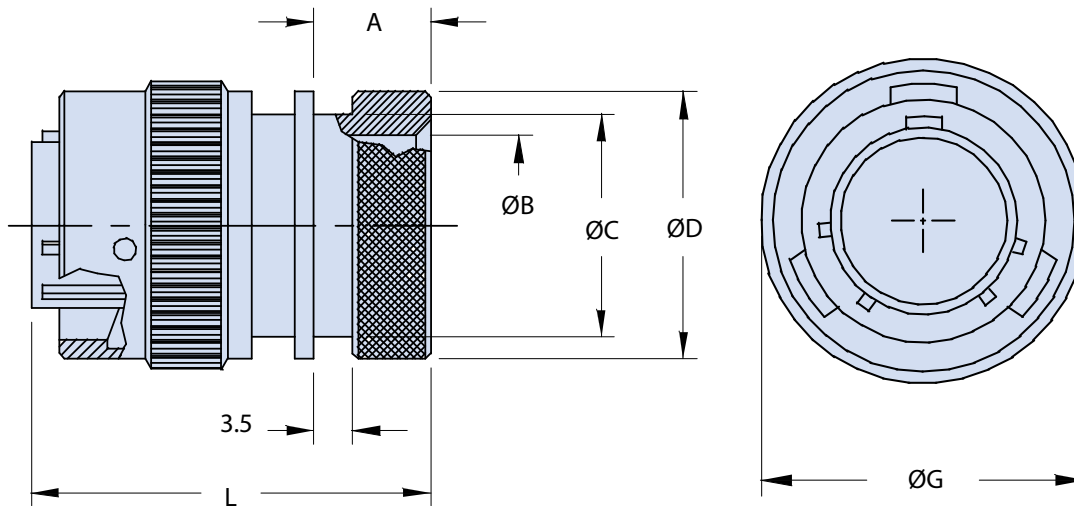
| CONTACT OPTIONS  |  |
|--|--|
| Sym  | Description  |
| <b>B0</b>  | Connector Without Contacts<br>(Only for crimp version) |
| FINISH OPTIONS   |  |
| Sym  | Description and RoHS compliant                         |
| <b>F6</b>  | Black Electrodeposited Paint                           |
| <b>F7</b>  | Black Zinc Nickel                                      |
| <b>F11</b>   | Electroless Nickel                                     |
| <b>MB</b>  | Marine Bronze  |
| <b>Omit for standard version<br/>(Cadmium Olive Drab Finish)</b> |  |



# IPT 06 G Straight Plug Connector with Backshell for Heat Shrink Boot

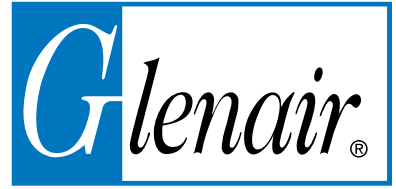


**C**



- Application Notes**
1. Straight plug with backshell suitable for heat shrink boot; Environmental, connector includes wire sealing grommet.
  2. Standard materials configuration consists of aluminum alloy.
  3. Connector/Backshell Class "G" (environmental)--Wire sealing grommet supplied.
  4. Standard contact material consists of copper alloy with gold plating over nickel.
  5. A broad range of other front and rear connector accessories are available. See our website and/or contact factory for complete information.
  6. Standard insert is high insulation synthetic rubber.

**IPT 06 G**  
**Straight Plug Connector**  
**with Backshell for Heat Shrink Boot**



**TABLE I: DIMENSIONS**

| Shell size | A<br>±0,1 | ØB<br>+0.1<br>-0 | ØC<br>+0<br>-0.1 | ØD<br>+0<br>-0.3 | L<br>Max. | ØG<br>±0.2 |
|------------|-----------|------------------|------------------|------------------|-----------|------------|
| 8          | 12.2      | 8.20             | 13.0             | 15.5             | 43.5      | 18.10      |
| 10         | 12.2      | 11.40            | 15.8             | 18.3             | 42.0      | 21.05      |
| 12         | 12.2      | 14.55            | 21.0             | 23.6             | 42.0      | 25.15      |
| 14         | 12.2      | 17.50            | 21.8             | 24.4             | 42.0      | 28.40      |
| 16         | 14.5      | 20.60            | 25.9             | 29.7             | 44.0      | 31.60      |
| 18         | 14.5      | 23.15            | 28.2             | 31.9             | 44.5      | 35.00      |
| 20         | 15.8      | 26.50            | 32.2             | 36.0             | 47.0      | 37.70      |
| 22         | 15.8      | 29.60            | 34.5             | 38.4             | 47.0      | 40.20      |
| 24         | 14.9      | 32.80            | 37.6             | 41.5             | 47.0      | 44.00      |

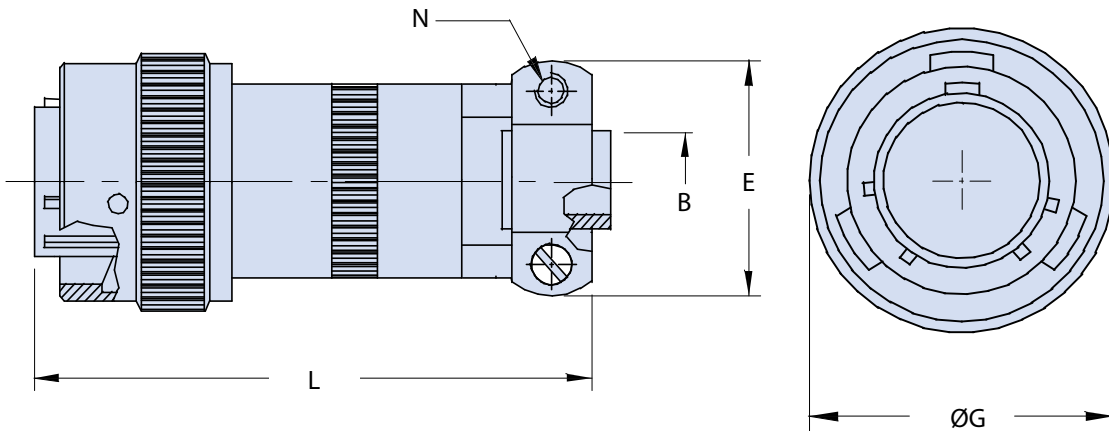
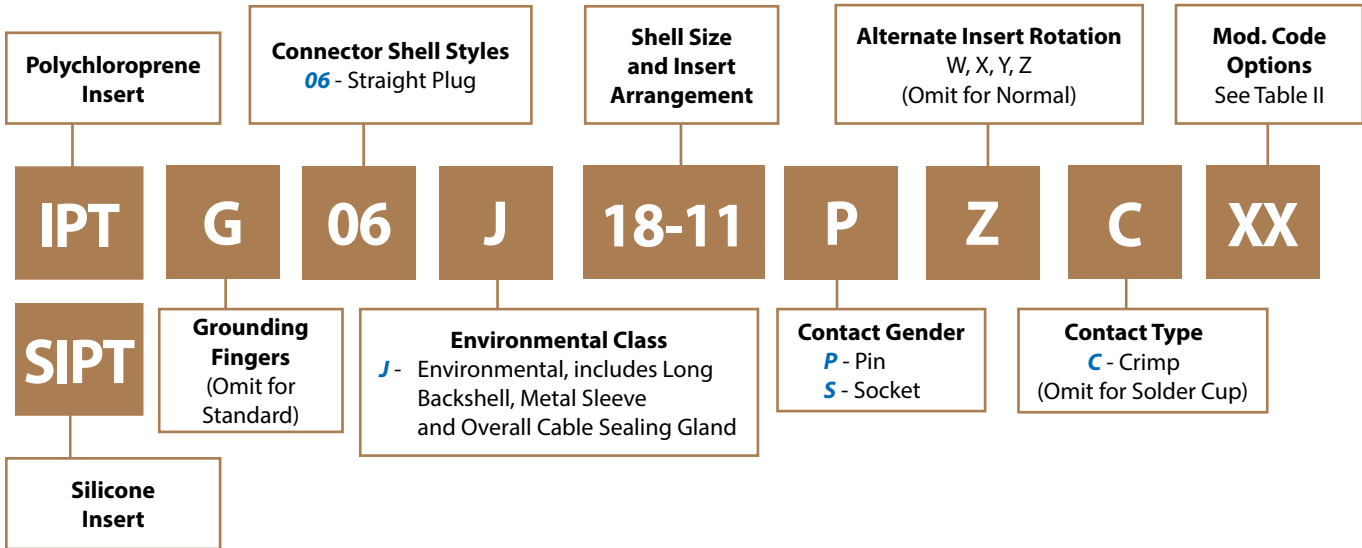
**TABLE II: MODIFICATION CODES**

| CONTACT OPTIONS  |  |
|--|--|
| Sym  | Description  |
| <b>B0</b>  | Connector Without Contacts<br>(Only for crimp version) |
| FINISH OPTIONS   |  |
| Sym  | Description and RoHS compliant                         |
| <b>F6</b>  | Black Electrodeposited Paint                           |
| <b>F7</b>  | Black Zinc Nickel                                      |
| <b>F11</b>   | Electroless Nickel                                     |
| <b>MB</b>  | Marine Bronze  |
| <b>Omit for standard version<br/>(Cadmium Olive Drab Finish)</b> |  |





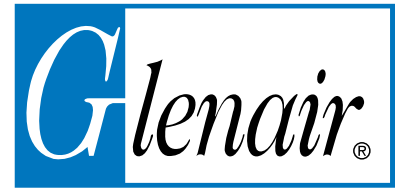
## IPT 06 J Straight Plug Connector with Long Backshell, Metal Sleeve, Cable Sealing Gland, and Cable Clamp



### Application Notes

1. Straight plug with long backshell, incorporated metal sleeve, gland seal and cable clamp.
2. Connector/Backshell Class "J" (environmental)—No grommet supplied.
3. Standard materials configuration consists of aluminum alloy.
4. Standard contact material consists of copper alloy with gold plating over nickel.
5. A broad range of other front and rear connector accessories are available. See our website and/or contact factory for complete information.
6. Standard insert is high insulation synthetic rubber.

**IPT 06 J**  
**Straight Plug Connector**  
with Long Backshell,  
Metal Sleeve, Cable Sealing Gland, and Cable Clamp



**TABLE I: DIMENSIONS**

| Shell size | B<br>±0.25 | E<br>±0.2 | ØG<br>±0.2 | L<br>Max. | N<br>Thread |
|------------|------------|-----------|------------|-----------|-------------|
| 8          | 3.2        | 19.10     | 18.10      | 56.0      | 6 - 32      |
| 10         | 4.8        | 20.70     | 21.05      | 56.0      | 6 - 32      |
| 12         | 7.9        | 23.90     | 25.15      | 59.0      | 6 - 32      |
| 14         | 9.5        | 27.00     | 28.40      | 66.0      | 6 - 32      |
| 16         | 12.7       | 28.60     | 31.60      | 72.0      | 6 - 32      |
| 18         | 15.9       | 35.00     | 35.00      | 79.0      | 8 - 32      |
| 20         | 15.9       | 35.00     | 37.70      | 88.5      | 8 - 32      |
| 22         | 19.0       | 39.75     | 40.20      | 95.5      | 8 - 32      |
| 24         | 20.3       | 42.10     | 44.00      | 100.0     | 8 - 32      |

**TABLE II: MODIFICATION CODES**

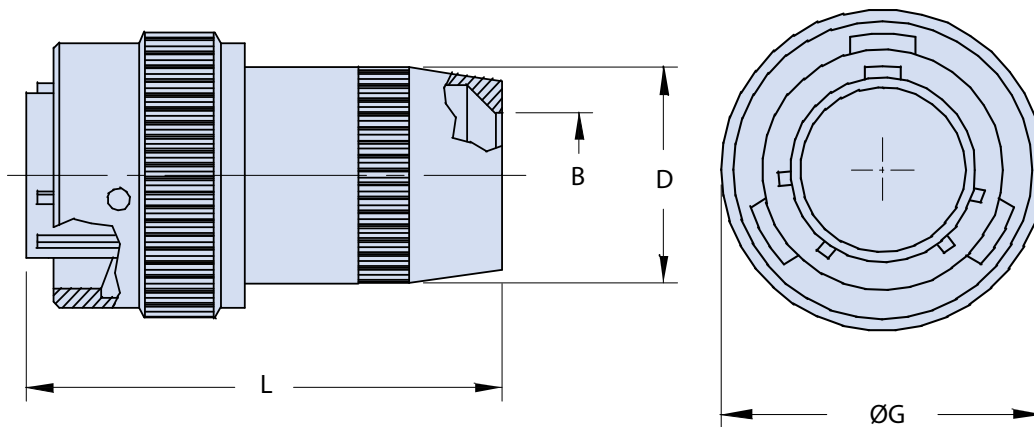
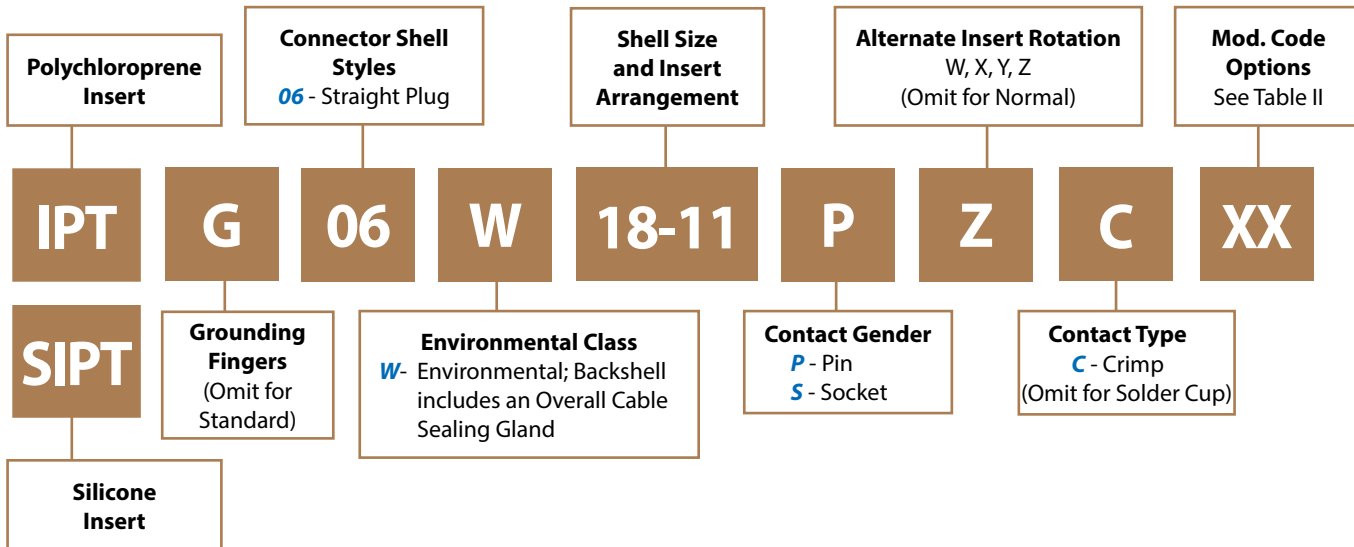
| CONTACT OPTIONS  |  |
|--|--|
| Sym  | Description  |
| <b>B0</b>  | Connector Without Contacts<br>(Only for crimp version) |
| FINISH OPTIONS   |  |
| Sym  | Description and RoHS compliant                         |
| <b>F6</b>  | Black Electrodeposited Paint                           |
| <b>F7</b>  | Black Zinc Nickel                                      |
| <b>F11</b>   | Electroless Nickel                                     |
| <b>MB</b>  | Marine Bronze  |
| <b>Omit for standard version<br/>(Cadmium Olive Drab Finish)</b> |  |





# IPT 06 W

## Straight Plug Connector with Long Backshell and Cable Sealing Gland

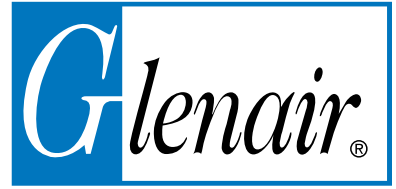


### Application Notes

1. Straight plug with long backshell, incorporated metal sleeve and gland seal. No cable clamp provided.
2. Connector/Backshell Class "W" (environmental)—No grommet supplied.
3. Standard materials configuration consists of aluminum alloy.
4. Standard contact material consists of copper alloy with gold plating over nickel.
5. A broad range of other front and rear connector accessories are available. See our website and/or contact factory for complete information.
6. Standard insert is high insulation synthetic rubber.



**IPT 06 W**  
**Straight Plug Connector**  
with Long Backshell and Cable Sealing Gland



**TABLE I: DIMENSIONS**

| Shell size | B min. | B Max. | D Max. | ØG ±0.2 | L Max. |
|------------|--------|--------|--------|---------|--------|
| 8          | 4.25   | 6.10   | 13.90  | 18.10   | 47.5   |
| 10         | 5.20   | 7.90   | 17.15  | 21.05   | 47.5   |
| 12         | 8.60   | 11.20  | 20.60  | 25.15   | 47.5   |
| 14         | 10.55  | 13.70  | 23.90  | 28.40   | 55.5   |
| 16         | 14.00  | 15.65  | 27.50  | 31.60   | 61.0   |
| 18         | 15.25  | 17.10  | 30.90  | 35.00   | 68.0   |
| 20         | 16.10  | 19.00  | 34.10  | 37.70   | 78.5   |
| 22         | 17.00  | 21.50  | 37.50  | 40.20   | 83.0   |
| 24         | 18.80  | 22.70  | 40.30  | 44.00   | 90.0   |

**TABLE II: MODIFICATION CODES**

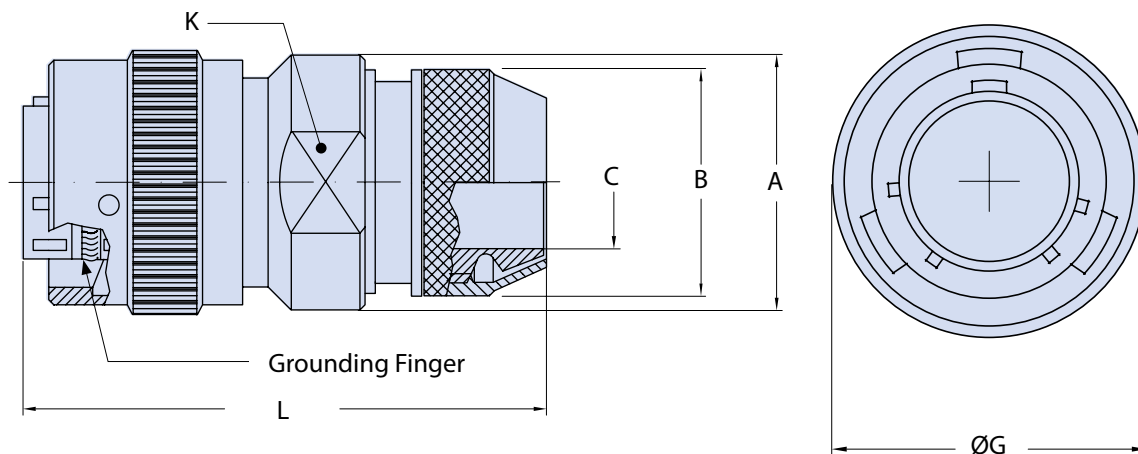
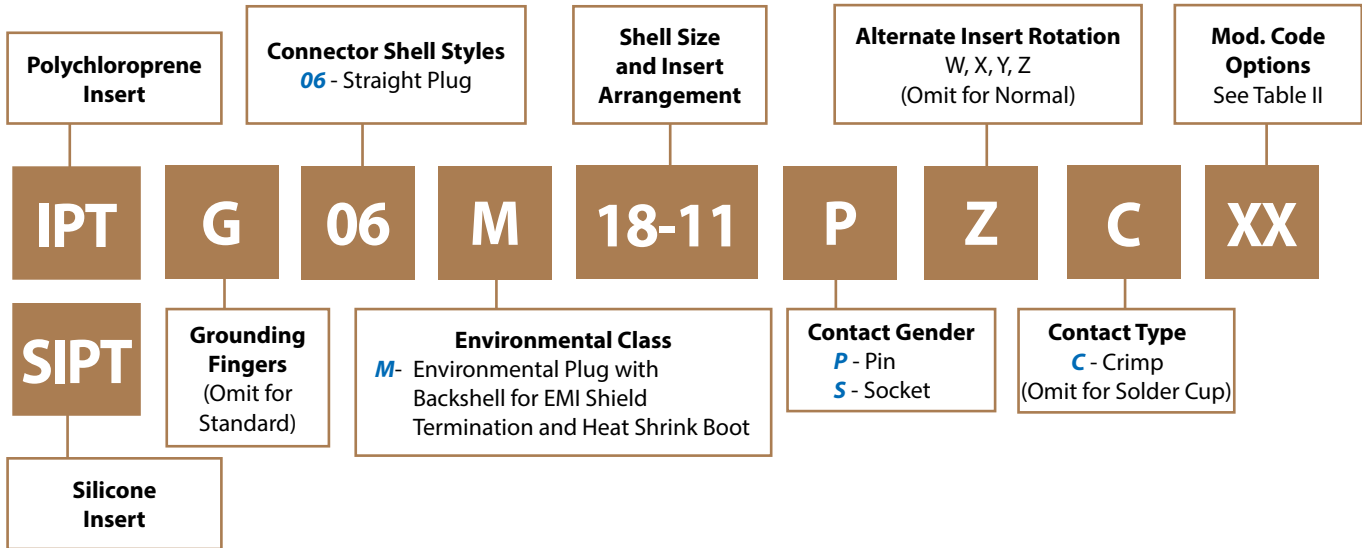
| CONTACT OPTIONS  |  |
|--|--|
| Sym  | Description  |
| <b>B0</b>  | Connector Without Contacts<br>(Only for crimp version) |
| FINISH OPTIONS   |  |
| Sym  | Description and RoHS compliant                         |
| <b>F6</b>  | Black Electrodeposited Paint                           |
| <b>F7</b>  | Black Zinc Nickel                                      |
| <b>F11</b>   | Electroless Nickel                                     |
| <b>MB</b>  | Marine Bronze  |
| <b>Omit for standard version<br/>(Cadmium Olive Drab Finish)</b> |  |





# IPT 06 M

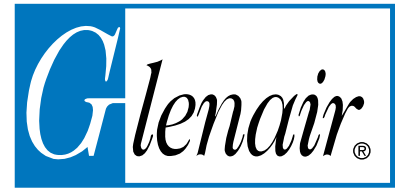
## Straight Plug Connector with Backshell Suitable for EMI Shield Termination and Heat Shrink Boot



### Application Notes

1. Straight plug with backshell for heat shrink boot, and/or terminating EMI shielded cable.
2. Standard materials configuration consists of aluminum alloy.
3. Connector/Backshell Class "M" (environmental)--Wire sealing grommet supplied.
4. Standard contact material consists of copper alloy with gold plating over nickel.
5. A broad range of other front and rear connector accessories are available. See our website and/or contact factory for complete information.
6. Standard insert is high insulation synthetic rubber.

**IPT 06 M**  
**Straight Plug Connector**  
with Backshell Suitable for  
EMI Shield Termination and Heat Shrink Boot



**TABLE I: DIMENSIONS**

| Shell size | A<br>Max. | B<br>+0.5<br>-0 | C<br>min. | K<br>Key | L<br>Max | ØG<br>±0.2 |
|------------|-----------|-----------------|-----------|----------|----------|------------|
| 8          | 20        | 16              | 6.6       | 18       | 55       | 18.10      |
| 10         | 23        | 18              | 9.2       | 21       | 55       | 21.05      |
| 12         | 27        | 22              | 12.2      | 24       | 55       | 25.15      |
| 14         | 30        | 25              | 15.2      | 28       | 56       | 28.40      |
| 16         | 33        | 28              | 18.3      | 31       | 56       | 31.60      |
| 18         | 36        | 32              | 20.0      | 34       | 56       | 35.00      |
| 20         | 40        | 34              | 23.0      | 37       | 60       | 37.70      |
| 22         | 43        | 38              | 26.0      | 41       | 60       | 40.20      |
| 24         | 46        | 41              | 28.8      | 44       | 62       | 44.00      |

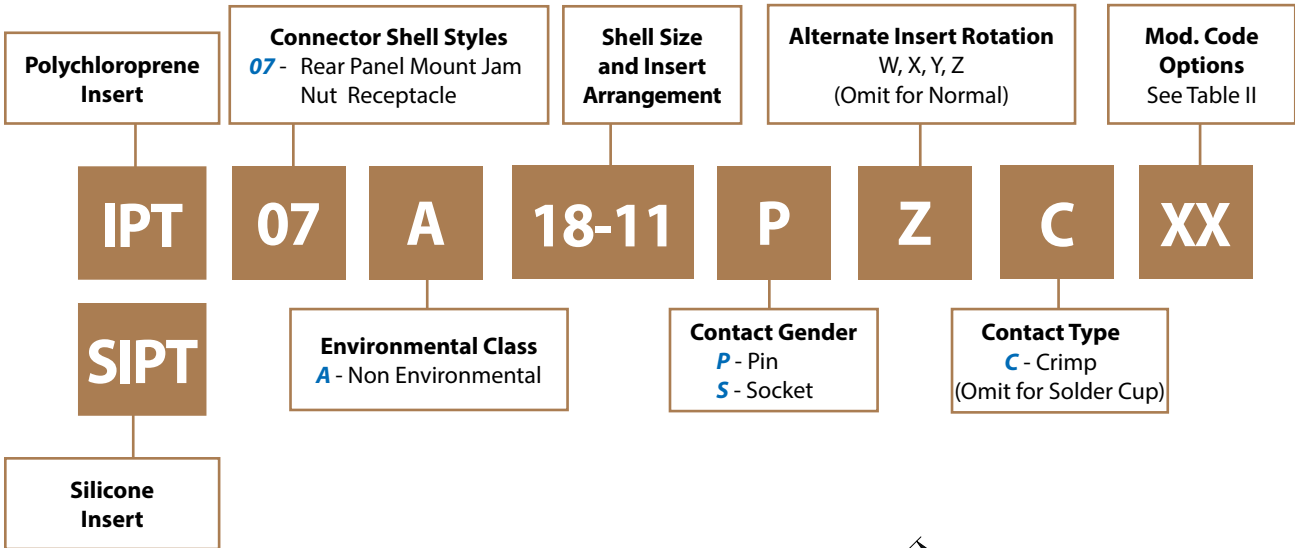
**TABLE II: MODIFICATION CODES**

| CONTACT OPTIONS  |  |
|--|--|
| Sym  | Description  |
| <b>B0</b>  | Connector Without Contacts<br>(Only for crimp version) |
| FINISH OPTIONS   |  |
| Sym  | Description and RoHS compliant                         |
| <b>F7</b>  | Black Zinc Nickel                                      |
| <b>F11</b>   | Electroless Nickel                                     |
| <b>MB</b>  | Marine Bronze  |
| <b>Omit for standard version<br/>(Cadmium Olive Drab Finish)</b> |  |

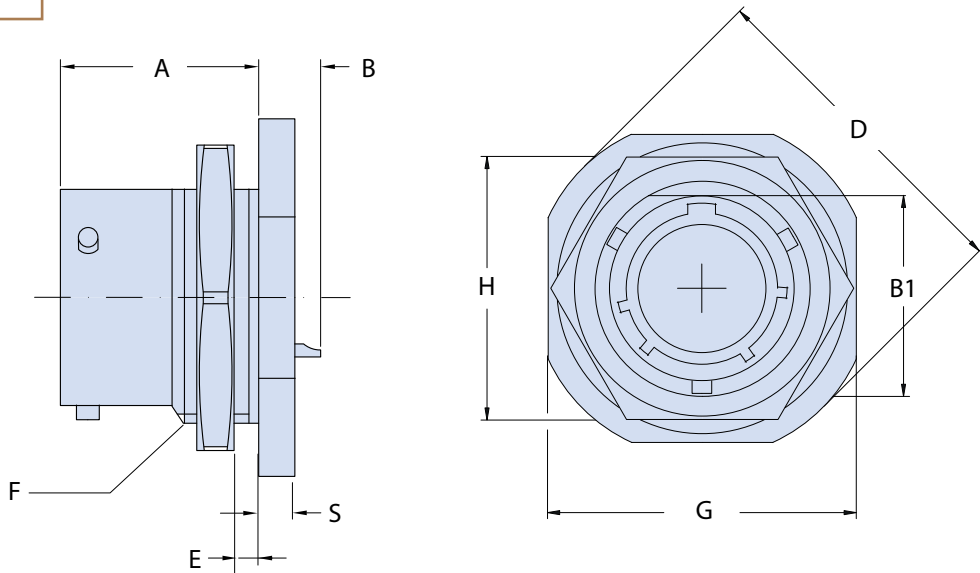




# IPT 07 A Rear Box Mount Jam Nut Receptacle Connector



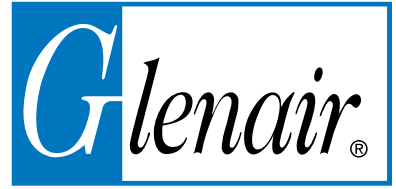
C



### Application Notes

1. Real box mount jam nut receptacle; No accessory threads.
2. Connector Class "A" (non-environmental).
3. Standard materials configuration consists of aluminum alloy with stainless steel coupling pins.
4. Standard contact material consists of copper alloy with gold plating over nickel.
5. Standard insert is high insulation synthetic rubber.

**IPT 07 A**  
**Rear Box Mount Jam Nut**  
**Receptacle Connector**



**TABLE I: DIMENSIONS**

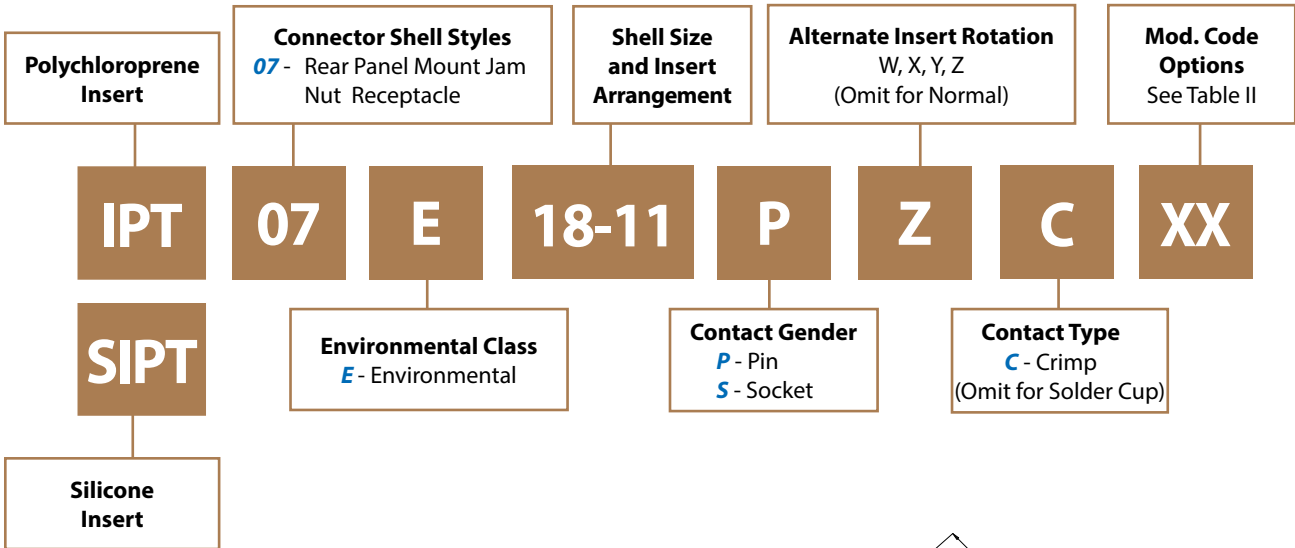
| Shell size | A<br>±0.4 | B<br>±1 | B1<br>+0<br>-0.25 | D<br>+0<br>-0.8 | E<br>min. | E<br>Max. | F<br>Thread in inches | G<br>Max. | H<br>±0.43 | S<br>±0.5 |
|------------|-----------|---------|-------------------|-----------------|-----------|-----------|-----------------------|-----------|------------|-----------|
| 8          | 17.70     | 4.8     | 13.46             | 27.3            | 1.6       | 3.2       | .5625 - 24 UNEF       | 24.3      | 19.05      | 3.0       |
| 10         | 17.70     | 4.8     | 16.46             | 30.5            | 1.6       | 3.2       | .6875 - 24 UNEF       | 27.4      | 22.23      | 3.0       |
| 12         | 17.70     | 4.8     | 20.78             | 35.3            | 1.6       | 3.2       | .8750 - 20 UNEF       | 32.2      | 26.97      | 3.0       |
| 14         | 17.70     | 4.8     | 23.93             | 38.5            | 1.6       | 3.2       | 1.0000 - 20 UNEF      | 35.4      | 30.18      | 3.0       |
| 16         | 17.70     | 4.8     | 27.08             | 41.6            | 1.6       | 3.2       | 1.1250 - 18 UNEF      | 38.6      | 33.32      | 3.0       |
| 18         | 17.70     | 4.8     | 30.25             | 44.8            | 1.6       | 3.2       | 1.2500 - 18 UNEF      | 41.7      | 36.53      | 3.0       |
| 20         | 22.45     | 5.6     | 33.43             | 49.6            | 1.6       | 6.3       | 1.3750 - 18 UNEF      | 46.5      | 39.67      | 3.8       |
| 22         | 22.45     | 5.6     | 36.60             | 52.7            | 1.6       | 6.3       | 1.5000 - 18 UNEF      | 49.7      | 42.88      | 3.8       |
| 24         | 23.30     | 4.8     | 39.78             | 55.9            | 1.6       | 6.3       | 1.6250 - 18 UNEF      | 52.8      | 46.02      | 3.8       |

**TABLE II: MODIFICATION CODES**

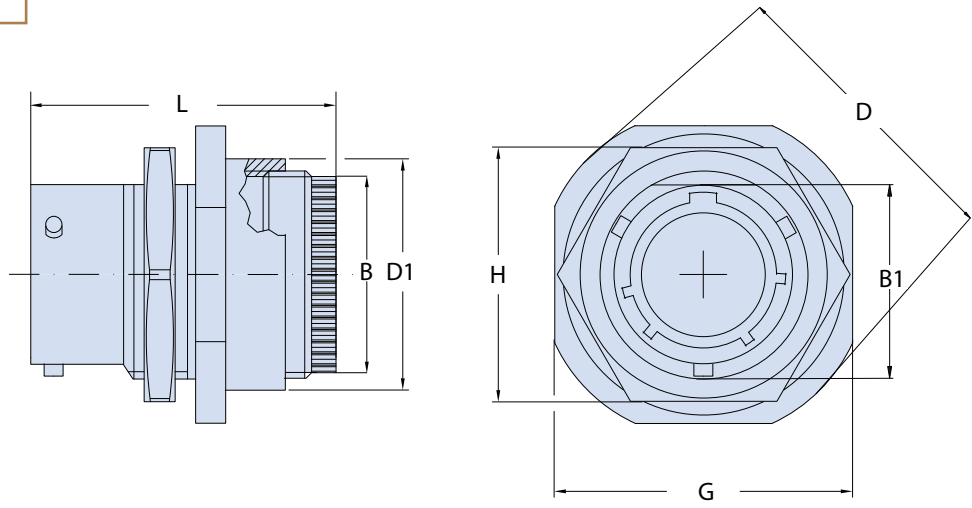
| CONTACT OPTIONS  |  |
|--|--|
| Sym  | Description  |
| <b>B0</b>  | Connector Without Contacts<br>(Only for crimp version) |
| FINISH OPTIONS   |  |
| Sym  | Description and RoHS compliant                         |
| <b>F6</b>  | Black Electrodeposited Paint                           |
| <b>F7</b>  | Black Zinc Nickel                                      |
| <b>F11</b>   | Electroless Nickel                                     |
| <b>MB</b>  | Marine Bronze  |
| <b>Omit for standard version<br/>(Cadmium Olive Drab Finish)</b> |  |



# IPT 07 E Rear Panel Mount Jam Nut Receptacle Connector with Backshell



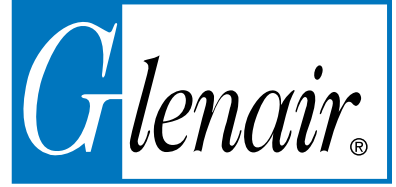
C



### Application Notes

1. Rear panel mount jam nut receptacle connector with simple backshell for open wire bundles.
2. Connector Class "E" (environmental)—Wire sealing grommet supplied.
3. Standard materials configuration consists of aluminum alloy with stainless steel coupling pins.
4. Standard contact material consists of copper alloy with gold plating over nickel.
5. A broad range of other front and rear connector accessories are available. See our website and/or contact factory for complete information.
6. Standard insert is high insulation synthetic rubber.

**IPT 07 E**  
**Rear Panel Mount Jam Nut**  
**Receptacle Connector with Backshell**



**TABLE I: DIMENSIONS**

| Shell size | B<br>Max. | B1<br>+0<br>-0.25 | D<br>+0<br>-0.8 | G<br>±0.4 | H<br>±0.4 | L<br>Max. | D1<br>min. |
|------------|-----------|-------------------|-----------------|-----------|-----------|-----------|------------|
| 8          | 13.5      | 13.46             | 27.3            | 23.8      | 19        | 39.3      | 19.0       |
| 10         | 16.5      | 16.46             | 30.5            | 27.0      | 22        | 39.3      | 22.2       |
| 12         | 19.5      | 20.78             | 35.3            | 31.7      | 27        | 39.3      | 25.5       |
| 14         | 22.5      | 23.93             | 38.5            | 34.9      | 30        | 39.3      | 28.5       |
| 16         | 25.5      | 27.08             | 41.6            | 38.1      | 33        | 39.3      | 31.7       |
| 18         | 29.0      | 30.25             | 44.8            | 41.3      | 36        | 39.3      | 34.9       |
| 20         | 31.8      | 33.43             | 49.6            | 46.0      | 40        | 43.4      | 38.8       |
| 22         | 35.0      | 36.60             | 52.7            | 49.2      | 43        | 43.4      | 42.0       |
| 24         | 38.0      | 39.78             | 55.9            | 52.4      | 46        | 43.4      | 45.2       |

**TABLE II: MODIFICATION CODES**

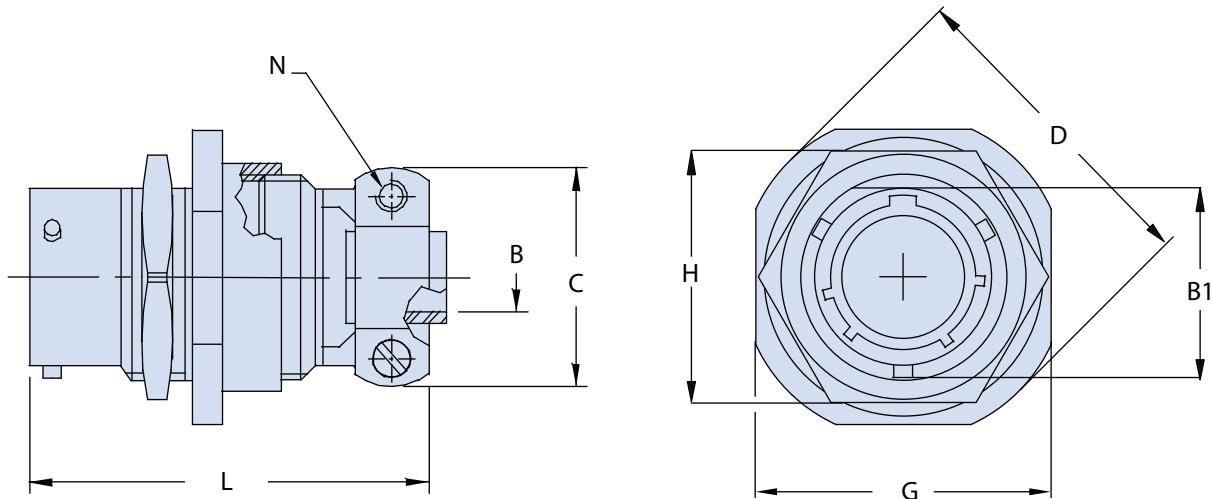
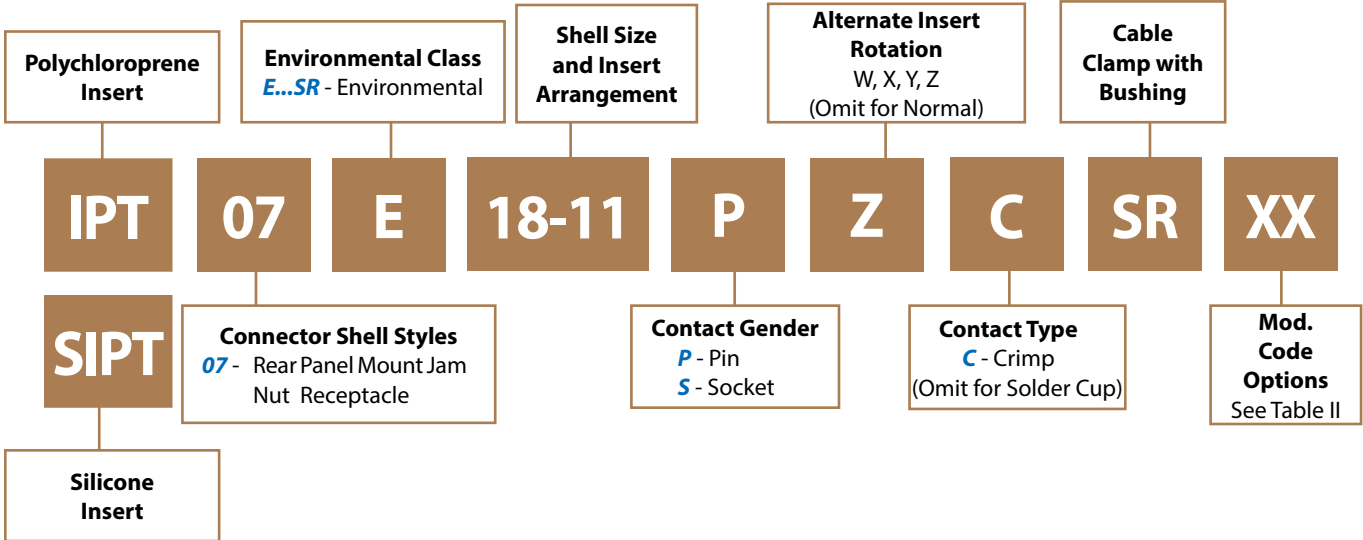
| CONTACT OPTIONS  |  |
|--|--|
| Sym  | Description  |
| <b>B0</b>  | Connector Without Contacts<br>(Only for crimp version) |
| FINISH OPTIONS   |  |
| Sym  | Description and RoHS compliant                         |
| <b>F6</b>  | Black Electrodeposited Paint                           |
| <b>F7</b>  | Black Zinc Nickel                                      |
| <b>F11</b>   | Electroless Nickel                                     |
| <b>MB</b>  | Marine Bronze  |
| <b>Omit for standard version<br/>(Cadmium Olive Drab Finish)</b> |  |





# IPT 07 E...SR

## Rear Panel Mount Jam Nut Receptacle Connector and Backshell with Cable Clamp and Bushing



- ### Application Notes
1. Rear panel mount jam nut receptacle connector with backshell cable clamp and bushing for cable protection.
  2. Connector Class "E" (environmental)—Wire sealing grommet supplied.
  3. Standard materials configuration consists of aluminum alloy with stainless steel coupling pins.
  4. Standard contact material consists of copper alloy with gold plating over nickel.
  5. A broad range of other front and rear connector accessories are available. See our website and/or contact factory for complete information.
  6. Standard insert is high insulation synthetic rubber.



**IPT 07 E...SR**  
**Rear Panel Mount Jam Nut**  
**Receptacle Connector and Backshell**  
**with Cable Clamp and Bushing**



**TABLE I: DIMENSIONS**

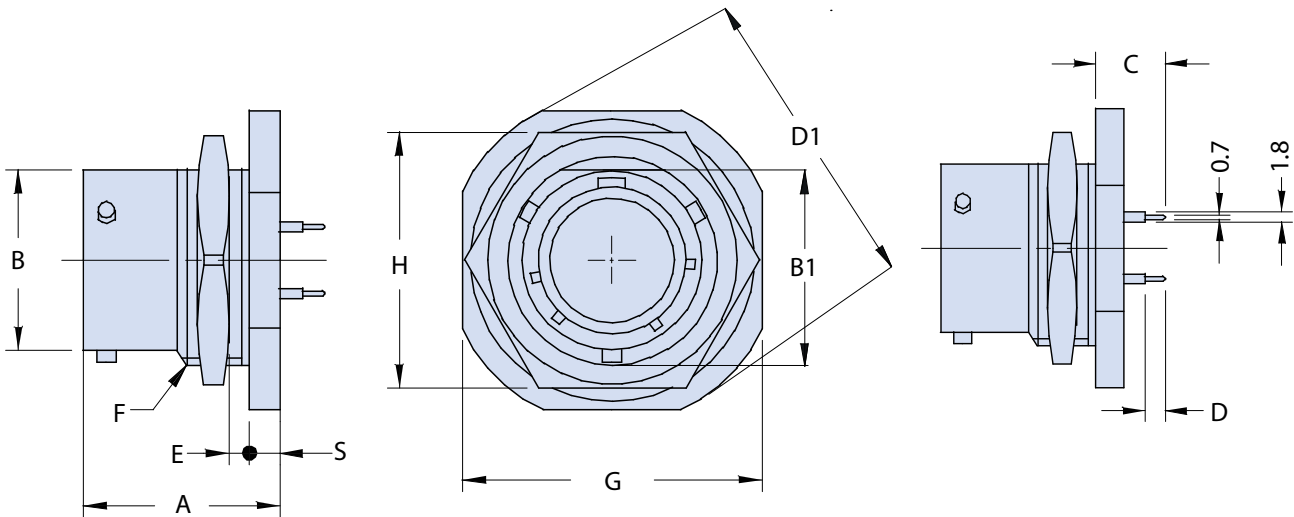
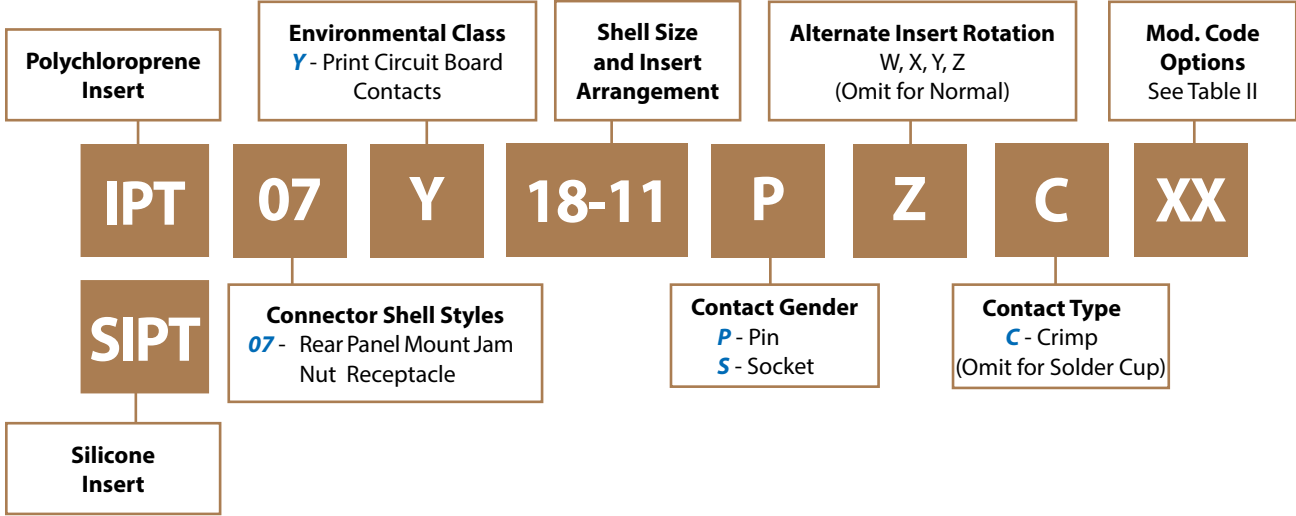
| Shell size | B<br>±0.25 | B1<br>+0<br>-0.25 | C<br>±0.2 | D<br>+0<br>-0.8 | G<br>±0.4 | H<br>±0.4 | L<br>Max | N<br>Thread |
|------------|------------|-------------------|-----------|-----------------|-----------|-----------|----------|-------------|
| 8          | 3.2        | 13.46             | 19.10     | 27.3            | 23.8      | 19        | 55       | 6 - 32      |
| 10         | 4.8        | 16.46             | 20.70     | 30.5            | 27.0      | 22        | 58       | 6 - 32      |
| 12         | 7.9        | 20.78             | 23.90     | 35.3            | 31.7      | 27        | 58       | 6 - 32      |
| 14         | 9.5        | 23.93             | 27.00     | 38.5            | 34.9      | 30        | 58       | 6 - 32      |
| 16         | 12.7       | 27.08             | 28.60     | 41.6            | 38.1      | 33        | 58       | 6 - 32      |
| 18         | 15.9       | 30.25             | 35.00     | 44.8            | 41.3      | 36        | 63       | 8 - 32      |
| 20         | 15.9       | 33.43             | 35.00     | 49.6            | 46.0      | 40        | 65       | 8 - 32      |
| 22         | 19.0       | 36.60             | 39.75     | 52.7            | 49.2      | 43        | 65       | 8 - 32      |
| 24         | 20.3       | 39.78             | 42.10     | 55.9            | 52.4      | 46        | 65       | 8 - 32      |

**TABLE II: MODIFICATION CODES**

| CONTACT OPTIONS  |  |
|--|--|
| Sym  | Description  |
| <b>B0</b>  | Connector Without Contacts<br>(Only for crimp version) |
| FINISH OPTIONS   |  |
| Sym  | Description and RoHS compliant                         |
| <b>F6</b>  | Black Electrodeposited Paint                           |
| <b>F7</b>  | Black Zinc Nickel                                      |
| <b>F11</b>   | Electroless Nickel                                     |
| <b>MB</b>  | Marine Bronze  |
| <b>Omit for standard version<br/>(Cadmium Olive Drab Finish)</b> |  |



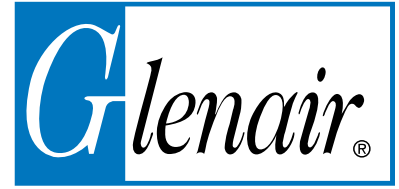
# IPT 07 Y Rear Box Mount Jam Nut Receptacle with Printed Circuit Board Contacts



**Application Notes**

1. Rear box mount jam nut receptacle connector with printed circuit board contacts.
2. Connector Style "Y" — Includes PCB tails. Contact factory for custom tail lengths.
3. Standard materials configuration consists of aluminum alloy with stainless steel coupling pins.
4. Standard contact material consists of copper alloy with gold plating over nickel.
5. Standard insert is high insulation synthetic rubber.

**IPT 07 Y**  
**Rear Box Mount Jam Nut Receptacle**  
**with Printed Circuit Board Contacts**



**TABLE I: DIMENSIONS**

| Shell size | A<br>±0.2 | B<br>+0<br>-0.1 | B1<br>+0<br>-0.25 | D1<br>+0<br>-0.8 | E<br>min. | E<br>Max. | F<br>Thread in inches | G<br>±0.4 | H<br>±0.4 | S<br>±0.4 |
|------------|-----------|-----------------|-------------------|------------------|-----------|-----------|-----------------------|-----------|-----------|-----------|
| 8          | 20.85     | 12.01           | 13.46             | 27.3             | 1.6       | 3.2       | .5625 - 24 UNEF       | 23.8      | 19        | 3.2       |
| 10         | 20.85     | 14.98           | 16.46             | 30.5             | 1.6       | 3.2       | .6875 - 24 UNEF       | 27.0      | 22        | 3.2       |
| 12         | 20.85     | 19.05           | 20.78             | 35.3             | 1.6       | 3.2       | .8750 - 20 UNEF       | 31.7      | 27        | 3.2       |
| 14         | 20.85     | 22.22           | 23.93             | 38.5             | 1.6       | 3.2       | 1.0000 - 20 UNEF      | 34.9      | 30        | 3.2       |
| 16         | 20.85     | 25.40           | 27.08             | 41.6             | 1.6       | 3.2       | 1.1250 - 18 UNEF      | 38.1      | 33        | 3.2       |
| 18         | 20.85     | 28.57           | 30.25             | 44.8             | 1.6       | 3.2       | 1.2500 - 18 UNEF      | 41.3      | 36        | 3.2       |
| 20         | 26.40     | 31.75           | 33.43             | 49.6             | 1.6       | 6.3       | 1.3750 - 18 UNEF      | 46.0      | 40        | 4.0       |
| 22         | 26.40     | 34.92           | 36.60             | 52.7             | 1.6       | 6.3       | 1.5000 - 18 UNEF      | 49.2      | 43        | 4.0       |
| 24         | 26.40     | 38.10           | 39.78             | 55.9             | 1.6       | 6.3       | 1.6250 - 18 UNEF      | 52.4      | 46        | 4.0       |

**TABLE I: DIMENSIONS (CONTINUED FROM ABOVE)**

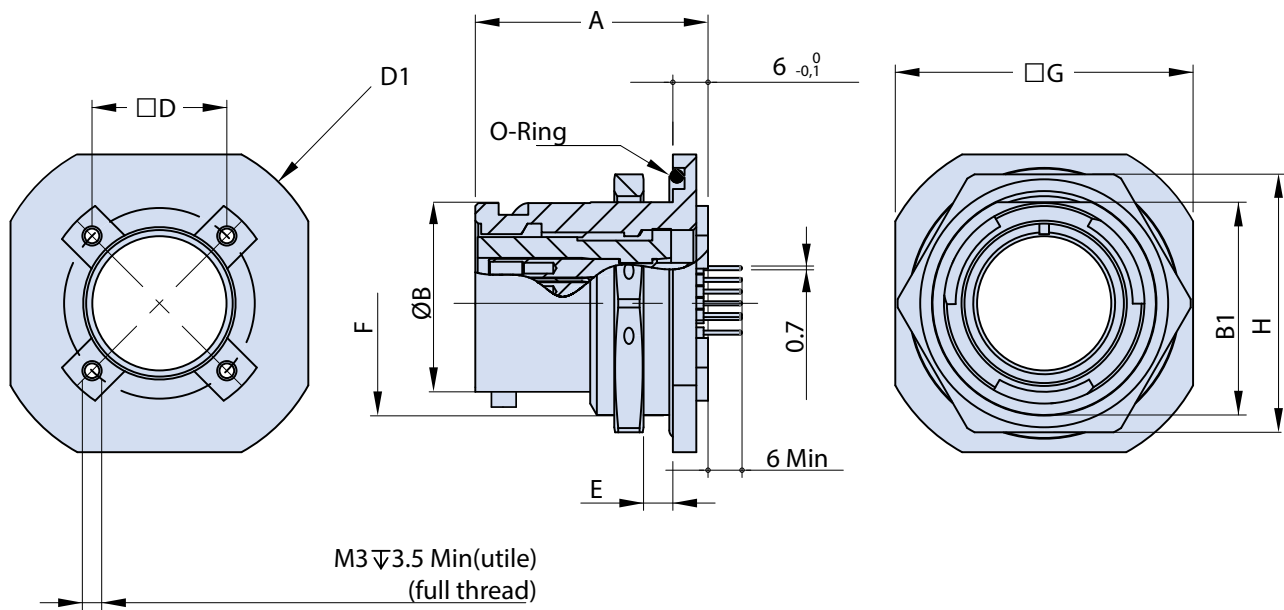
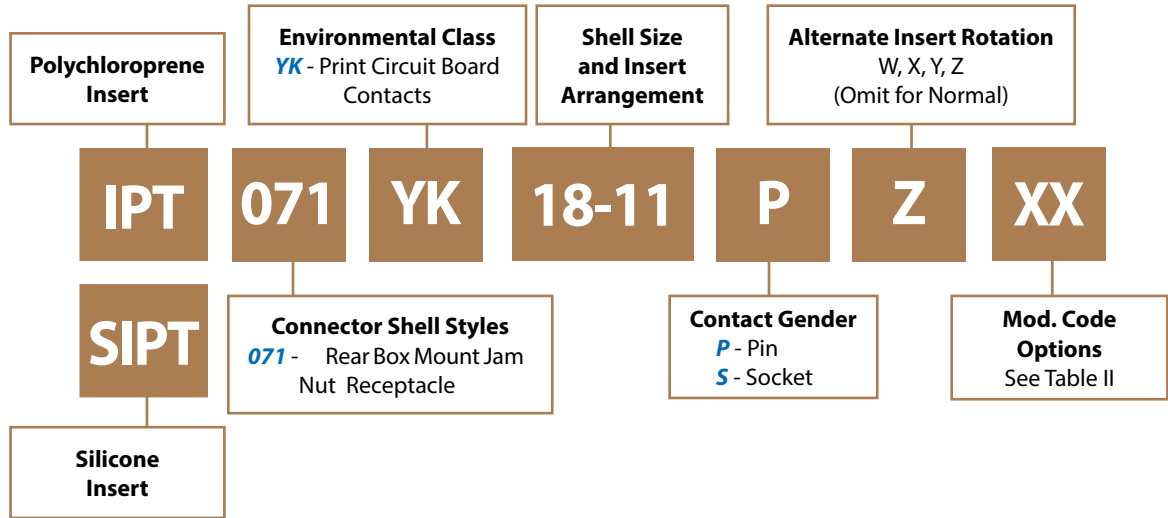
| Shell size | Y    |      | Y1   |      | Y2    |      | YS   |      | YL   |      | YM    |      | YK   |      |
|------------|------|------|------|------|-------|------|------|------|------|------|-------|------|------|------|
|            | C    | D    | C    | D    | C     | D    | C    | D    | C    | D    | C     | D    | C    | D    |
|            | ±0.4 | ±0.2 | ±0.4 | ±0.2 | ±0.4  | ±0.2 | ±0.4 | ±0.2 | ±0.4 | ±0.2 | ±0.4  | ±0.2 | ±0.4 | ±0.2 |
| 8          | 9.4  | 3.6  | 8.9  | 3.2  | 9.4   | 4.8  | 7.8  | 3.2  | 12.5 | 6.0  | 14.0  | 7.2  | 12.1 | 7.1  |
| 10         | 9.4  | 3.6  | 8.9  | 3.2  | 9.4   | 4.8  | 7.8  | 3.2  | 12.5 | 6.0  | 14.0  | 7.2  | 12.1 | 7.1  |
| 12         | 9.4  | 3.6  | 8.9  | 3.2  | 9.4   | 4.8  | 7.8  | 3.2  | 12.5 | 6.0  | 14.0  | 7.2  | 12.1 | 7.1  |
| 14         | 9.4  | 3.6  | 8.9  | 3.2  | 9.4   | 4.8  | 7.8  | 3.2  | 12.5 | 6.0  | 14.0  | 7.2  | 12.1 | 7.1  |
| 16         | 9.4  | 3.6  | 8.9  | 3.2  | 9.4   | 4.8  | 7.8  | 3.2  | 12.5 | 6.0  | 14.0  | 7.2  | 12.1 | 7.1  |
| 18         | 9.4  | 3.6  | 8.9  | 3.2  | 9.4   | 4.8  | 7.8  | 3.2  | 12.5 | 6.0  | 14.0  | 7.2  | 12.1 | 7.1  |
| 20         | 9.6  | 3.6  | 8.7  | 3.2  | 11.35 | 4.8  | 9.3  | 3.2  | 11.1 | 6.0  | 14.65 | 7.2  | 11.9 | 7.1  |
| 22         | 9.6  | 3.6  | 8.7  | 3.2  | 11.35 | 4.8  | 9.3  | 3.2  | 11.1 | 6.0  | 14.65 | 7.2  | 11.9 | 7.1  |
| 24         | 8.8  | 3.6  | 8.5  | 3.2  | 11.00 | 4.8  | 8.5  | 3.2  | 10.3 | 6.0  | 14.3  | 7.2  | 11.2 | 7.1  |

**TABLE II: MODIFICATION CODES**

| FINISH OPTIONS   |                                |
|--|--------------------------------|
| Sym  | Description and RoHS compliant |
| <b>F6</b>  | Black Electrodeposited Paint   |
| <b>F7</b>  | Black Zinc Nickel              |
| <b>F11</b>   | Electroless Nickel             |
| <b>MB</b>  | Marine Bronze                  |
| <b>Omit for standard version<br/>(Cadmium Olive Drab Finish)</b> |                                |



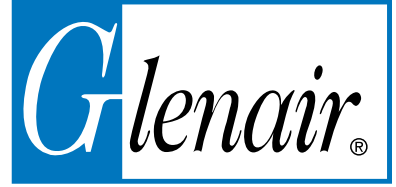
# IPT 071 YK Rear Box Mount Jam Nut Receptacle with Standoff and Printed Circuit Board Contacts



### Application Notes

1. Rear box mount jam nut receptacle connector with standoff and printed circuit board contacts.
2. Connector Style "YK" — Includes PCB tails.
3. Standard materials configuration consists of aluminum alloy with stainless steel coupling pins.
4. Standard contact material consists of copper alloy with gold plating over nickel.
5. Standard insert is high insulation synthetic rubber.

**IPT 071 YK**  
**Rear Box Mount Jam Nut Receptacle**  
**with Standoff and Printed Circuit Board Contacts**



**TABLE I: DIMENSIONS**

| Shell size | A<br>±0.2 | B<br>+0<br>-0.1 | F<br>Thread in inches | D<br>±0.2 | E<br>min. | E<br>Max. | G<br>±0.4 | B1<br>+0<br>-0.25 | D1<br>+0<br>-0.8 | H<br>±0.4 |
|------------|-----------|-----------------|-----------------------|-----------|-----------|-----------|-----------|-------------------|------------------|-----------|
| 10         | 23.7      | 14.98           | .6875 - 24 UNEF       | 11.5      | 1.6       | 3.2       | 27.0      | 16.46             | 30.5             | 22        |
| 12         | 23.7      | 19.05           | .8750 - 20 UNEF       | 14.0      | 1.6       | 3.2       | 31.7      | 20.78             | 35.3             | 27        |
| 14         | 23.7      | 22.22           | 1.0000 - 20 UNEF      | 16.3      | 1.6       | 3.2       | 34.9      | 23.93             | 38.5             | 30        |
| 16         | 23.7      | 25.40           | 1.1250 - 18 UNEF      | 18.7      | 1.6       | 3.2       | 38.1      | 27.08             | 41.6             | 33        |
| 18         | 23.7      | 28.57           | 1.2500 - 18 UNEF      | 21.0      | 1.6       | 3.2       | 41.3      | 30.25             | 44.8             | 36        |
| 20         | 28.4      | 31.75           | 1.3750 - 18 UNEF      | 23.0      | 1.6       | 6.3       | 46.0      | 33.43             | 49.6             | 40        |
| 22         | 28.7      | 34.92           | 1.5000 - 18 UNEF      | 25.0      | 1.6       | 6.3       | 49.2      | 36.60             | 52.7             | 43        |
| 24         | 29.3      | 38.10           | 1.6250 - 18 UNEF      | 27.0      | 1.6       | 6.3       | 52.4      | 39.78             | 55.9             | 46        |

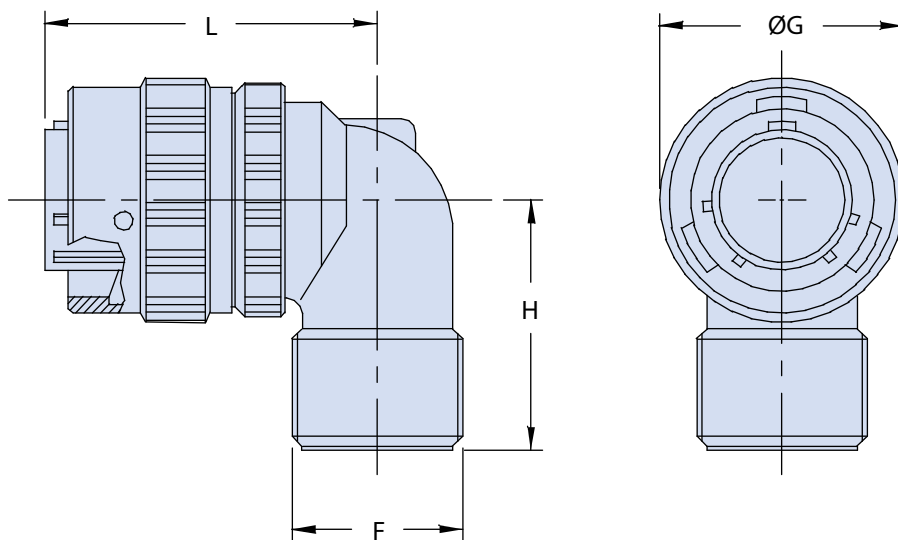
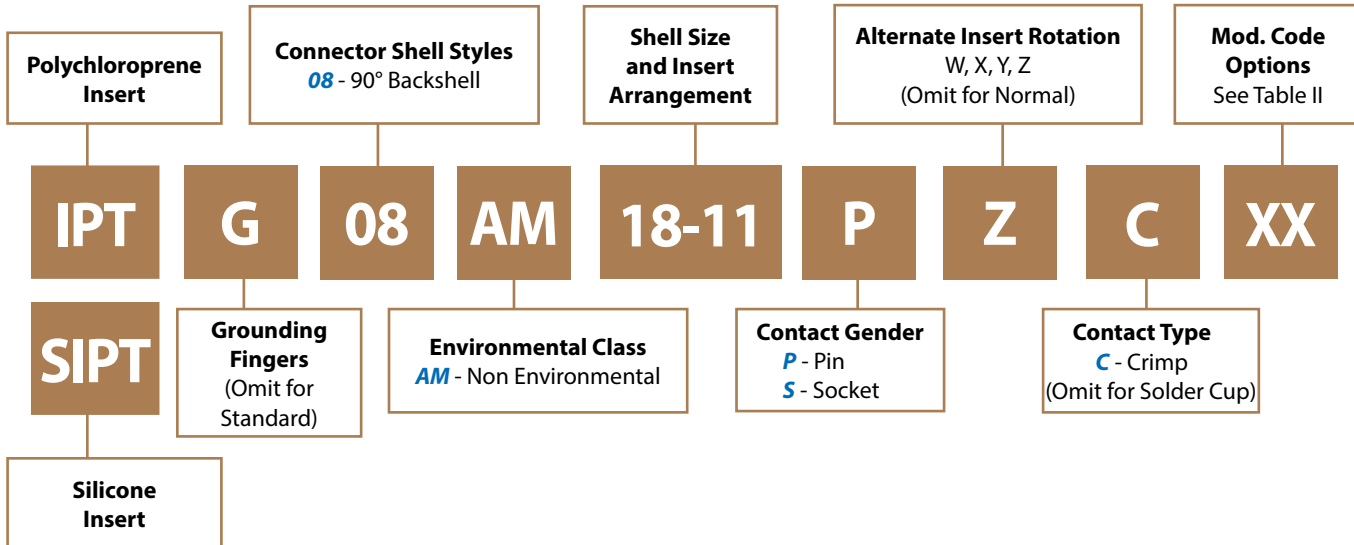
**TABLE II: MODIFICATION CODES**

| FINISH OPTIONS   |                                |
|--|--------------------------------|
| Sym  | Description and RoHS compliant |
| <b>F6</b>  | Black Electrodeposited Paint   |
| <b>F7</b>  | Black Zinc Nickel              |
| <b>F11</b>   | Electroless Nickel             |
| <b>MB</b>  | Marine Bronze                  |
| <b>Omit for standard version<br/>(Cadmium Olive Drab Finish)</b> |                                |





**IPT 08 AM**  
**Plug Connector**  
with 90° Backshell Suitable for MS3057 Cable Clamp



**Application Notes**

1. Plug with 90° backshell for cable clamp MS3057-A/B/C (not included).
2. Connector/Backshell Class "AM" (non-environmental)—no grommet supplied.
3. Standard materials configuration consists of aluminum alloy.
4. Standard contact material consists of copper alloy with gold plating over nickel.
5. A broad range of other front and rear connector accessories are available. See our website and/or contact factory for complete information.
6. Standard insert is high insulation synthetic rubber.

**IPT 08 AM  
Plug Connector**  
with 90° Backshell Suitable for MS3057 Cable Clamp



**TABLE I: DIMENSIONS**

| Shell size | F<br>Thread in inches | ØG<br>±0.2 | H<br>Max. | L<br>Max. |
|------------|-----------------------|------------|-----------|-----------|
| 8          | .5000 - 28 UNEF       | 18.10      | 20.0      | 36.0      |
| 10         | .6250 - 24 UNEF       | 21.05      | 26.0      | 36.0      |
| 12         | .7500 - 20 UNEF       | 25.15      | 27.5      | 38.0      |
| 14         | .8750 - 20 UNEF       | 28.40      | 28.0      | 41.5      |
| 16         | 1.0000 - 20 UNEF      | 31.60      | 31.0      | 43.0      |
| 18         | 1.1875 - 18 UNEF      | 35.00      | 33.0      | 48.0      |
| 20         | 1.1875 - 18 UNEF      | 37.70      | 33.0      | 52.0      |
| 22         | 1.4375 - 18 UNEF      | 40.20      | 38.0      | 56.0      |
| 24         | 1.4375 - 18 UNEF      | 44.00      | 39.0      | 57.0      |

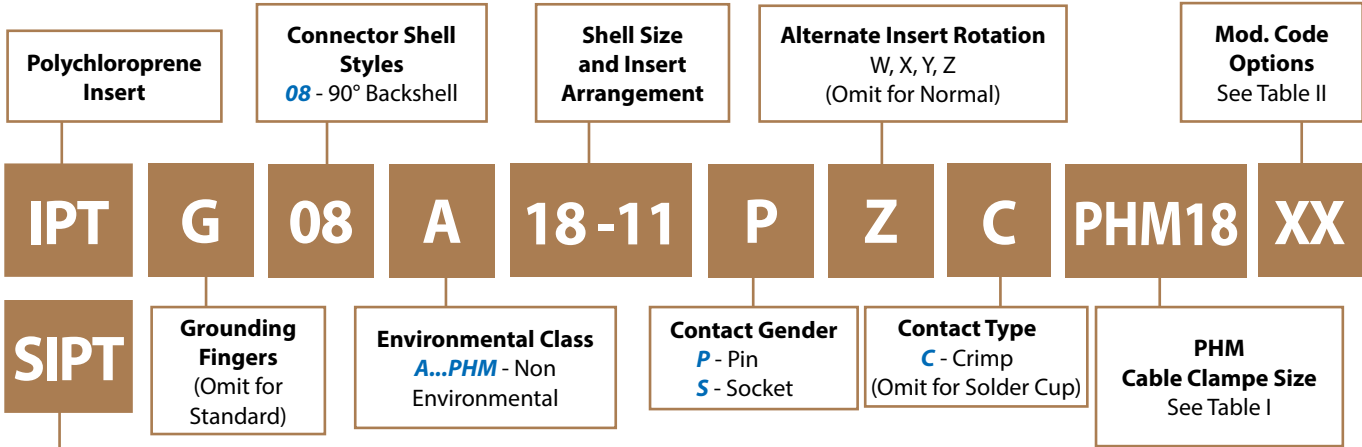
**TABLE II: MODIFICATION CODES**

| CONTACT OPTIONS  |  |
|--|--|
| Sym  | Description  |
| <b>B0</b>  | Connector Without Contacts<br>(Only for crimp version) |
| FINISH OPTIONS   |  |
| Sym  | Description and RoHS compliant                         |
| <b>F6</b>  | Black Electrodeposited Paint                           |
| <b>F7</b>  | Black Zinc Nickel                                      |
| <b>F11</b>   | Electroless Nickel                                     |
| <b>MB</b>  | Marine Bronze  |
| <b>Omit for standard version<br/>(Cadmium Olive Drab Finish)</b> |  |

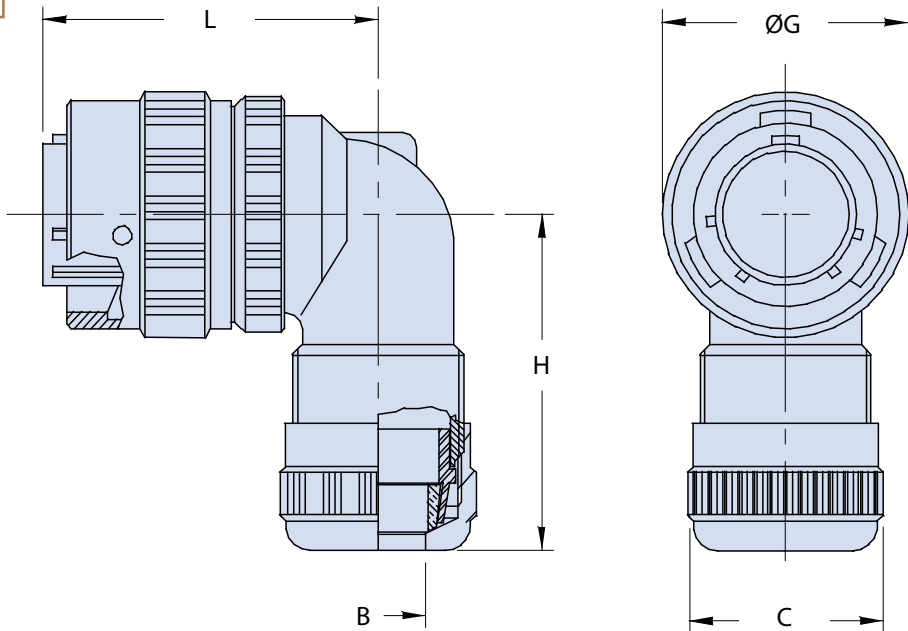




# IPT 08 A...PHM\_\_ Plug Connector with 90° PHM Backshell and Sleeves to Accommodate Various Cable Sizes



**Silicone Insert**



### Application Notes

1. Plug with 90° backshell and PHM cable clamp. The PHM cable clamp assures excellent mechanical strength and splash proof sealing (if used with the correct neoprene sealing sleeves).
2. Connector Class "A" (non-environmental)—no grommet supplied.
3. Standard materials configuration consists of aluminum alloy.
4. Standard contact material consists of copper alloy with gold plating over nickel.
5. A broad range of other front and rear connector accessories are available. See our website and/or contact factory for complete information.
6. Standard insert is high insulation synthetic rubber.



**IPT 08 A...PHM\_\_**  
**Plug Connector with 90° PHM Backshell**  
**and Sleeves to Accommodate Various Cable Sizes**



**TABLE I: DIMENSIONS**

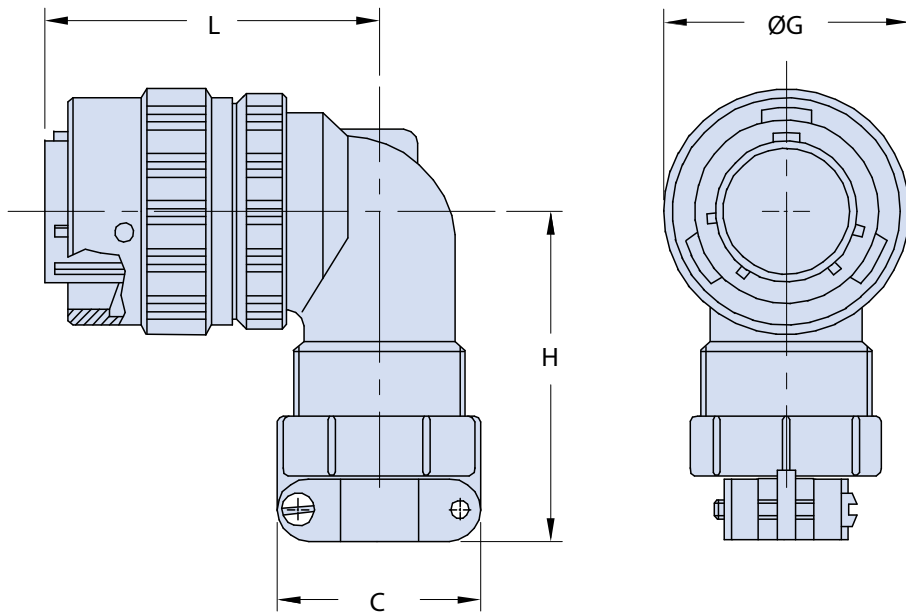
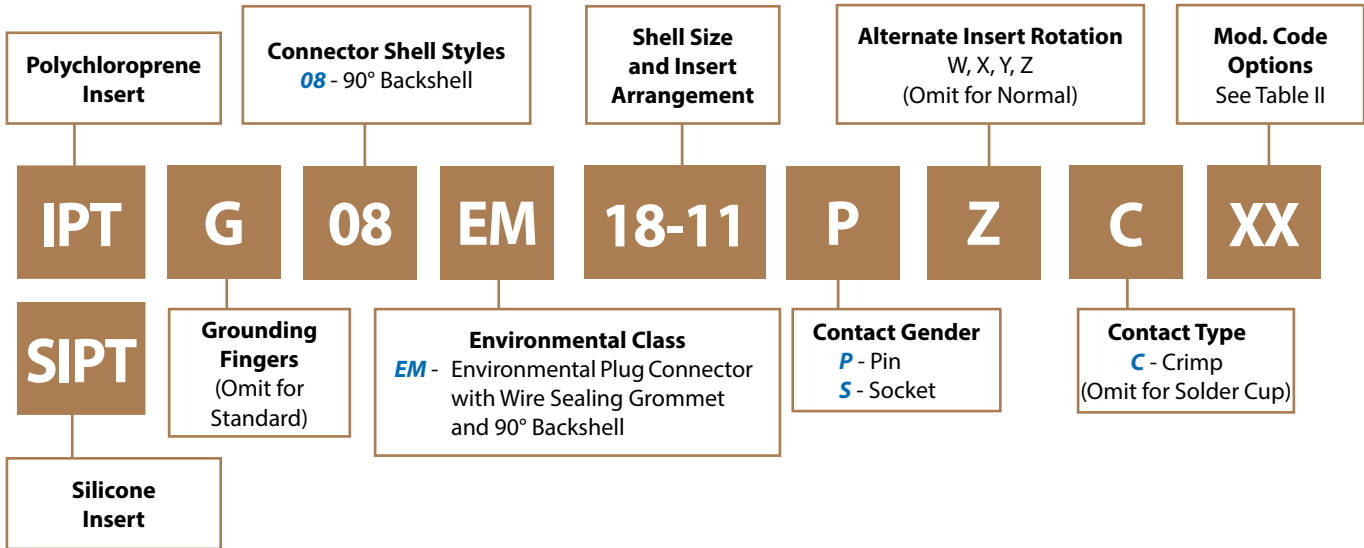
| Shell size | PHM Cable Clamp Size | B min. - Max.                | C Max. | ØG ±0.2 | H Max. | L Max. |
|------------|----------------------|------------------------------|--------|---------|--------|--------|
| 8          | 7                    | 2 - 7                        | 15.2   | 18.10   | 38.0   | 36.0   |
| 10         | 9                    | 2 - 9                        | 21.5   | 21.05   | 45.0   | 36.0   |
| 12         | 11                   | 2 - 11                       | 23.5   | 25.15   | 43.5   | 38.0   |
| 14         | 11                   | 2 - 11                       | 25.5   | 28.40   | 44.5   | 41.5   |
| 16         | 11                   | 2 - 11                       | 28.5   | 31.60   | 49.0   | 43.0   |
| 18         | 11 / 18              | 2 - 11 / 9 - 16.5            | 34.0   | 35.00   | 54.0   | 48.0   |
| 20         | 18                   | 9 - 16.5                     | 34.0   | 37.70   | 54.0   | 52.0   |
| 22         | 18                   | 9 - 16.5                     | 40.5   | 40.20   | 60.0   | 56.0   |
| 24         | 18 / 22 / 24         | 9 - 16.5 / 15 - 20 / 19 - 24 | 40.5   | 44.00   | 61.0   | 57.0   |

**TABLE II: MODIFICATION CODES**

| CONTACT OPTIONS  |  |
|--|--|
| Sym  | Description  |
| <b>B0</b>  | Connector Without Contacts<br>(Only for crimp version) |
| FINISH OPTIONS   |  |
| Sym  | Description and RoHS compliant                         |
| <b>F6</b>  | Black Electrodeposited Paint                           |
| <b>F7</b>  | Black Zinc Nickel                                      |
| <b>F11</b>   | Electroless Nickel                                     |
| <b>MB</b>  | Marine Bronze  |
| <b>Omit for standard version<br/>(Cadmium Olive Drab Finish)</b> |  |



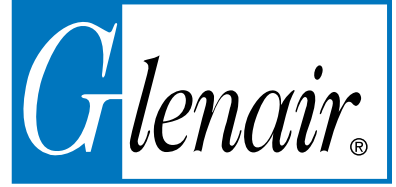
**IPT 08 EM**  
**Plug Connector**  
with 90° Backshell with MS3057-A Cable Clamp



**Application Notes**

1. Plug with 90° backshell, sealing grommet and 90° Backshell suitable for MS3057-A cable clamp.
2. Connector/Backshell Class "EM" (environmental)—Wire sealing grommet supplied.
3. Standard materials configuration consists of aluminum alloy.
4. Standard contact material consists of copper alloy with gold plating over nickel.
5. A broad range of other front and rear connector accessories are available. See our website and/or contact factory for complete information.
6. Standard insert is high insulation synthetic rubber.

**IPT 08 EM**  
**Plug Connector**  
 with 90° Backshell with MS3057-A Cable Clamp



**TABLE I: DIMENSIONS**

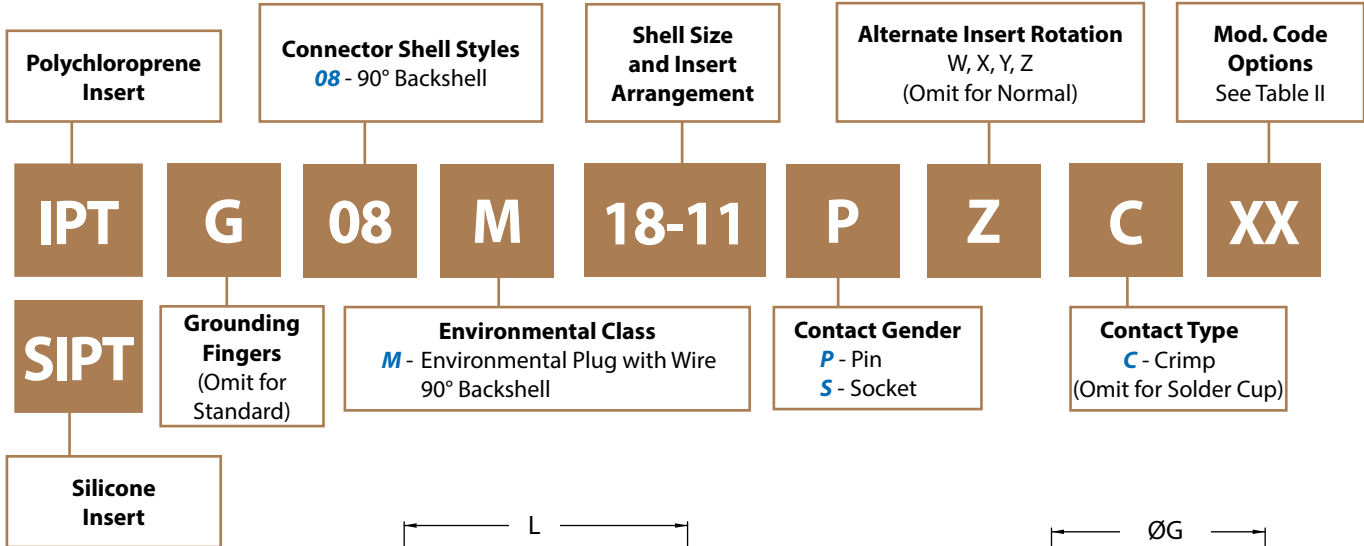
| Shell size | C<br>Max. | ØG<br>±0.2 | H<br>Max. | L<br>Max. |
|------------|-----------|------------|-----------|-----------|
| 8          | 21.2      | 18.10      | 31.5      | 36.0      |
| 10         | 25.5      | 21.05      | 37.5      | 36.0      |
| 12         | 27.5      | 25.15      | 40.0      | 38.0      |
| 14         | 28.5      | 28.40      | 43.0      | 41.5      |
| 16         | 33.0      | 31.60      | 46.0      | 43.0      |
| 18         | 35.5      | 35.00      | 48.0      | 48.0      |
| 20         | 35.5      | 37.70      | 48.0      | 52.0      |
| 22         | 44.0      | 40.20      | 53.5      | 56.0      |
| 24         | 44.0      | 44.00      | 53.5      | 57.0      |

**TABLE II: MODIFICATION CODES**

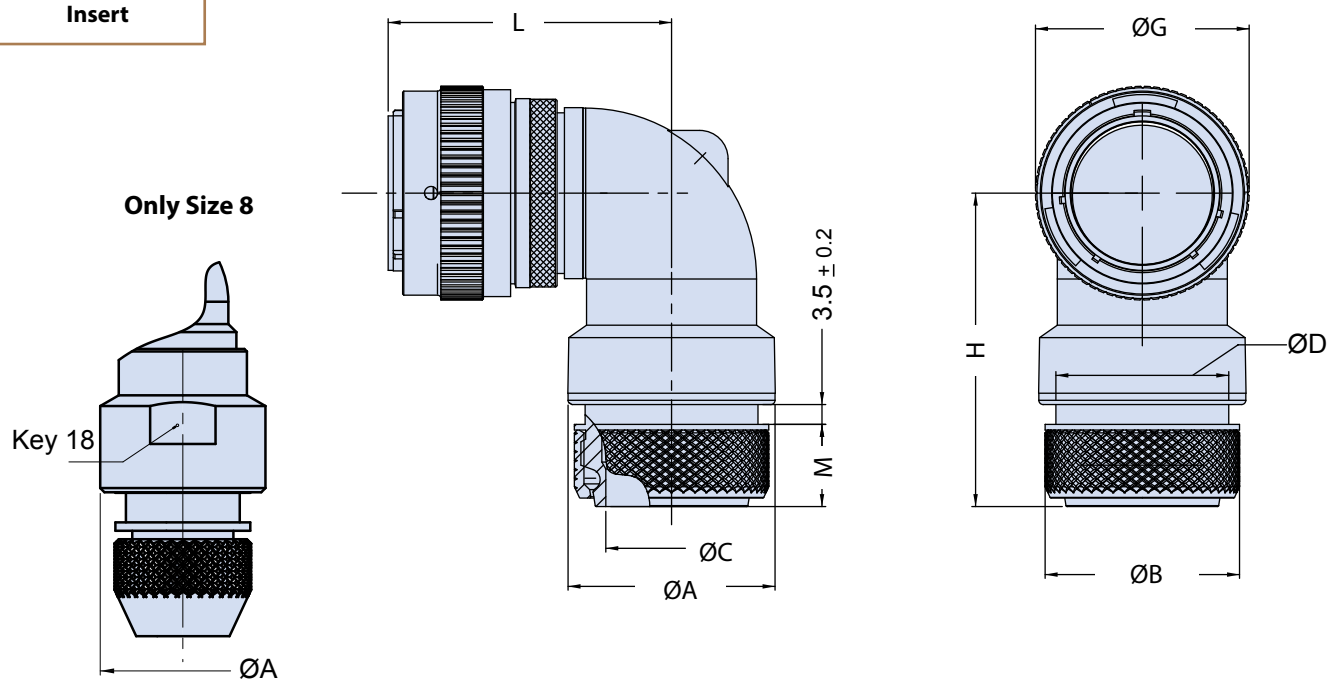
| CONTACT OPTIONS  |  |
|--|--|
| Sym  | Description  |
| <b>B0</b>  | Connector Without Contacts<br>(Only for crimp version) |
| FINISH OPTIONS   |  |
| Sym  | Description and RoHS compliant                         |
| <b>F6</b>  | Black Electrodeposited Paint                           |
| <b>F7</b>  | Black Zinc Nickel                                      |
| <b>F11</b>   | Electroless Nickel                                     |
| <b>MB</b>  | Marine Bronze  |
| <b>Omit for standard version<br/>(Cadmium Olive Drab Finish)</b> |  |

# IPT 08 M Plug Connector

with 90° Backshell for Shield Termination and Shrink Boot

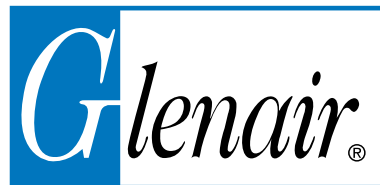


C



- Application Notes**
1. Plug with 90° backshell for terminating shielded cable. Also suitable for heat shrink boots.
  2. Connector/Backshell Class "M" (environmental)—Wire sealing grommet supplied.
  3. Standard materials configuration consists of aluminum alloy.
  4. Standard contact material consists of copper alloy with gold plating over nickel.
  5. A broad range of other front and rear connector accessories are available. See our website and/or contact factory for complete information.
  6. Standard insert is high insulation synthetic rubber.

**IPT 08 M**  
**Plug Connector**  
with 90° Backshell for Shield Termination and Shrink Boot



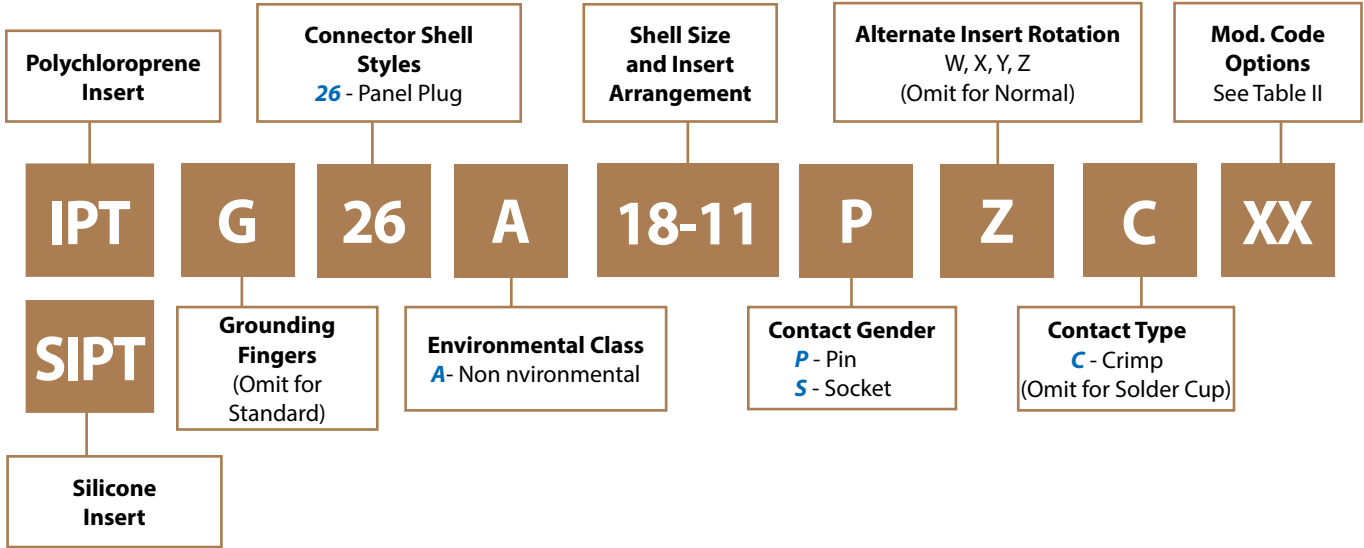
**TABLE I: DIMENSIONS**

| Shell Size | ØA<br>± 0.2 | ØB<br>± 0.2 | ØC<br>+0.1/0 | ØD<br>0/-0.2 | M<br>± 0.5 | ØG<br>±0.2 | L<br>Max. | H<br>Max. |
|------------|-------------|-------------|--------------|--------------|------------|------------|-----------|-----------|
| 8          | 19.6        | 16.20       | 6.80         | 13.50        | 13.50      | 18.10      | 34.50     | 45.50     |
| 10         | 19.05       | 18.30       | 9.30         | 15.80        | 12.50      | 21.05      | 37.50     | 45.10     |
| 12         | 22.00       | 22.30       | 12.25        | 19.80        | 13.50      | 25.15      | 37.50     | 48.00     |
| 14         | 25.50       | 25.30       | 15.40        | 22.60        | 14.50      | 28.40      | 39.20     | 49.50     |
| 16         | 30.175      | 28.30       | 18.50        | 26.00        | 14.50      | 31.60      | 44.40     | 52.70     |
| 18         | 30.175      | 32.30       | 20.20        | 28.20        | 14.50      | 35.00      | 46.60     | 56.60     |
| 20         | 36.60       | 34.30       | 23.30        | 30.50        | 14.50      | 37.70      | 50.50     | 55.80     |
| 22         | 36.60       | 38.20       | 26.00        | 34.00        | 14.50      | 40.20      | 54.40     | 59.60     |
| 24         | 44.80       | 41.30       | 29.00        | 37.20        | 14.50      | 44.00      | 55.70     | 58.60     |

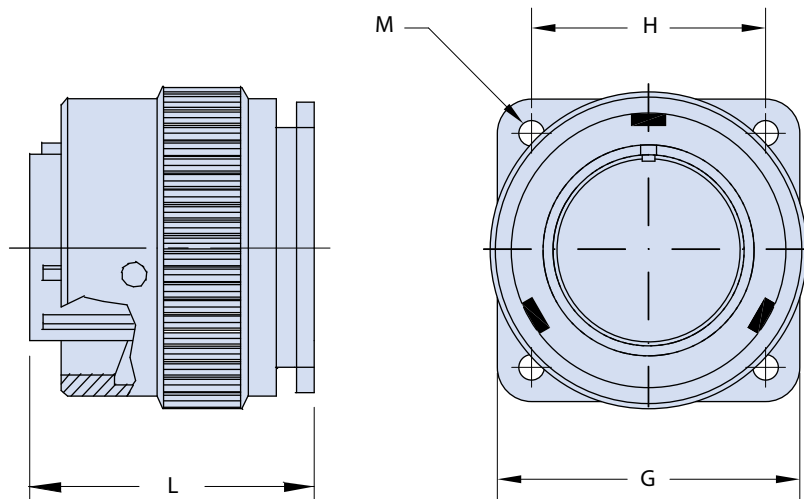
**TABLE II: MODIFICATION CODES**

| CONTACT OPTIONS  |  |
|--|--|
| Sym  | Description  |
| <b>B0</b>  | Connector Without Contacts<br>(Only for crimp version) |
| FINISH OPTIONS   |  |
| Sym  | Description and RoHS compliant                         |
| <b>F7</b>  | Black Zinc Nickel                                      |
| <b>F11</b>   | Electroless Nickel                                     |
| <b>MB</b>  | Marine Bronze  |
| <b>Omit for standard version<br/>(Cadmium Olive Drab Finish)</b> |  |

# IPT 26 A Panel Plug Connector



C



**Application Notes**

1. Square flange box mount plug connector to be mated with In-line receptacles (IPT01).
2. Connector Class "A" (non-environmental)—no grommet supplied.
3. Standard materials configuration consists of aluminum alloy.
4. Standard contact material consists of copper alloy with gold plating over nickel.
5. Standard insert is high insulation synthetic rubber.

**IPT 26 A**  
**Panel Plug Connector**



**TABLE I: DIMENSIONS**

| Shell size | L<br>Max. | G<br>±0.4 | H<br>±0.1 | M<br>Thread |
|------------|-----------|-----------|-----------|-------------|
| 16         | 24.5      | 31.0      | 24.60     | 6 - 32UNC   |
| 20         | 28.5      | 36.5      | 29.40     | 6 - 32UNC   |
| 22         | 28.5      | 39.7      | 31.75     | 6 - 32UNC   |
| 24         | 32.0      | 42.8      | 34.92     | 6 - 32UNC   |

**TABLE II: MODIFICATION CODES**

| CONTACT OPTIONS  |  |
|--|--|
| Sym  | Description  |
| <b>B0</b>  | Connector Without Contacts<br>(Only for crimp version) |
| FINISH OPTIONS   |  |
| Sym  | Description and RoHS compliant                         |
| <b>F6</b>  | Black Electrodeposited Paint                           |
| <b>F7</b>  | Black Zinc Nickel                                      |
| <b>F11</b>   | Electroless Nickel                                     |
| <b>MB</b>  | Marine Bronze  |
| <b>Omit for standard version<br/>(Cadmium Olive Drab Finish)</b> |  |



MIL-DTL-5015 TYPE  
FIELD-READY  
RJ45 ETHERNET

# MIL-DTL-5015 TYPE REVERSE-BAYONET SUPERSEAL™

*Rugged environmental MIL-DTL-5015 type Reverse Bayonet Connectors with IP68 sealing, robust insert-to-shell grounding, and a complete range of wire, cable, and circuit board terminations*



## Features

- Superior sealing — IP68 when mated—for complete system protection against water, sand and dust
- Shielded/grounded coupler designs in both receptacle and plug connectors
- Crimp, solder-cup, PC tail, and Quadrax contact/wire termination options
- RJ45 plug and/or jack interface options available in Cat 5e or Cat 6a



[www.glenair.com](http://www.glenair.com)

**G**lenair®

Glenair Italia S.p.A.  
Via del lavoro,7  
40057 - Quarto Inferiore  
Granarolo dell'Emilia  
Bologna - Italy  
Tel. +39 051 782811  
Fax +39 051 782259  
[info@glenair.it](mailto:info@glenair.it)  
[www.glenair.it](http://www.glenair.it)



# **IPT SE and IPT Series**

## **Connector Accessories and Tools Section D**



**IT 3057-A Cable Clamp / IT 3057-C Cable Clamp**

**D-2 ; D-3**

**IT 3420 and IT 3420-A Neoprene Sleeve**

**D-4**

**IPT 3180-C and IPT 3180-CF Protective Plug Covers**

**D-5**

**IPT 3181-C and IPT 3181-CF Protective Receptacle Covers**

**D-6**

**IPT 3181-N and IPT 3181-NF Protective Receptacle Covers**

**D-7**

**IT 90376-R and IT 90376-Y Protective Receptacle and Plug Plastic Caps**

**D-8**

**IPT 3115 and IPT 3115A Dummy Stowage Receptacles**

**D-9**

**10-101949 and 10-101949-S Square Flange Panel Mount  
Receptacle Sealing Gaskets**

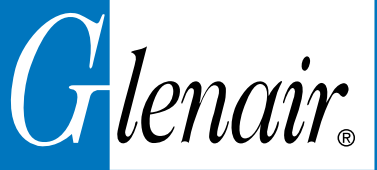
**D-10**

**10-101033-11 and 10-101033-12 Sealing Plug for Wire Sealing Grommet**

**D-11**

**IPT Series Tools / IPT SE Series Tools**

**D-12 ; D-13**



# IT 3057-A Cable Clamp

**Mod. Code Options**  
See Table II

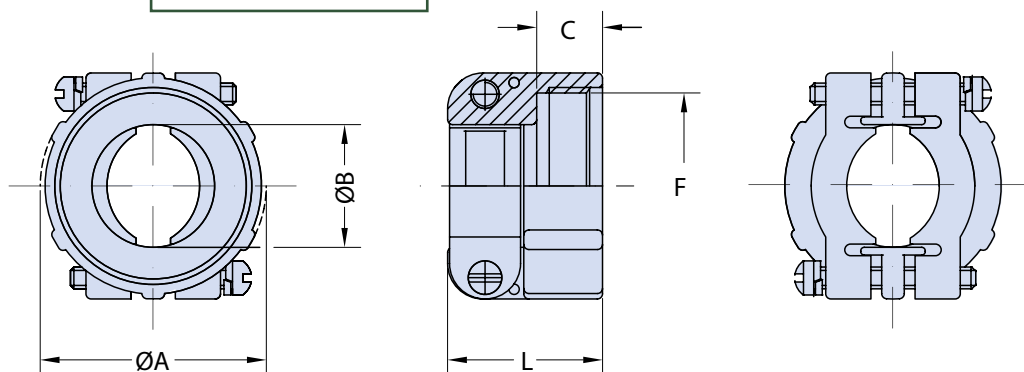
**IT**

**3057-16A**

**F11**

**MIL-DTL-26482 Serie I  
Accessory**

**Finish Options**  
See Table II



**TABLE II: MODIFICATION CODES**

| Shell Finish<br>(Omit for Standard Cad/Olive Drab Finish) |
|---|
| <b>F6</b> - Black Electrodeposited Paint (RoHs)           |
| <b>F7</b> - Black Zinc Nickel (RoHs)                      |
| <b>F11</b> - Electroless Nickel (RoHs)                    |
| <b>MB</b> - Marine Bronze (RoHs)                          |

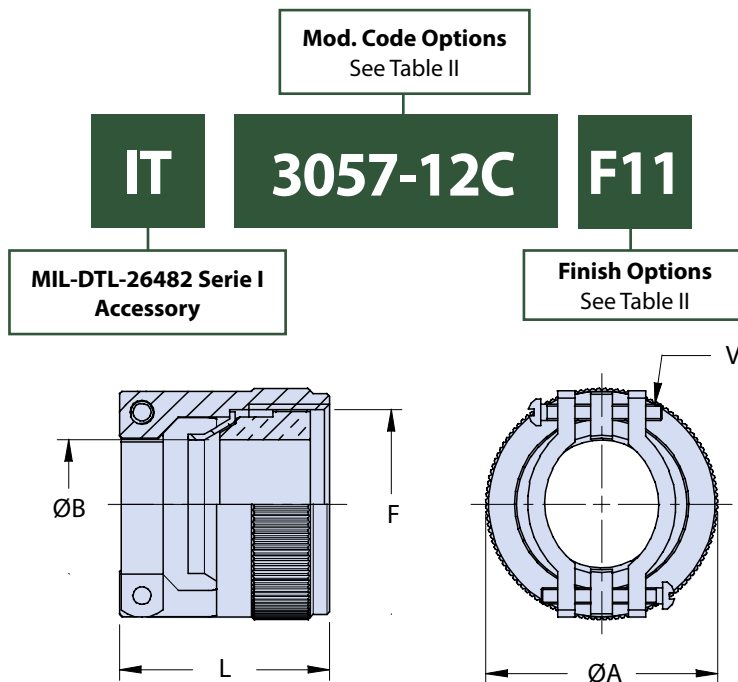
**Application Notes**

General duty cable clamp suitable for jacketed cable or wires protected by tubing.

**TABLE I: DIMENSIONS**

| GLENAIR P/N  | Shell size | Sleeve to use | ØA | ØB   | C    | F<br>Thread in inches | L    |
|--------------|------------|---------------|----|------|------|-----------------------|------|
| IT3057 - 3A  | 8          | IT3420 - 3    | 18 | 6.8  | 10.2 | 0.5000 - 28UNEF       | 20.6 |
| IT3057 - 4A  | 10         | IT3420 - 4    | 25 | 8.2  | 10.2 | 0.6250 - 24UNEF       | 21.0 |
| IT3057 - 6A  | 12         | IT3420 - 6    | 27 | 11.2 | 10.2 | 0.7500 - 20UNEF       | 22.2 |
| IT3057 - 8A  | 14         | IT3420 - 8    | 28 | 14.2 | 10.2 | 0.8750 - 20UNEF       | 24.0 |
| IT3057 - 10A | 16         | IT3420 - 10   | 33 | 16.0 | 10.2 | 1.0000 - 20UNEF       | 28.5 |
| IT3057 - 12A | 18         | IT3420 - 12   | 35 | 19.0 | 10.2 | 1.1875 - 18NEF        | 24.0 |
| IT3057 - 12A | 20         | IT3420 - 12   | 35 | 19.0 | 10.2 | 1.1875 - 18NEF        | 24.0 |
| IT3057 - 16A | 22         | IT3420 - 16   | 43 | 23.8 | 10.5 | 1.4375 - 18NEF        | 26.0 |
| IT3057 - 16A | 24         | IT3420 - 16   | 43 | 23.8 | 10.5 | 1.4375 - 18NEF        | 26.0 |

# IT 3057-C Cable Clamp



**TABLE II: MODIFICATION CODES**

| Shell Finish<br>(Omit for Standard Cad/Olive Drab Finish) |
|---|
| <b>F6</b> - Black Electrodeposited Paint (RoHs)           |
| <b>F7</b> - Black Zinc Nickel (RoHs)                      |
| <b>F11</b> - Electroless Nickel (RoHs)                    |
| <b>MB</b> - Marine Bronze (RoHs)                          |

**Application Notes**

Waterproof cable clamp suitable for jacketed cable or wires protected by tubing. Assures watertight integrity of connector.



**TABLE I: DIMENSIONS**

| GLENNAIR P/N | Shell size | Sleeve to use           | ØA   | ØB    |       | F<br>Thread in inches | L    | V<br>Thread |
|--------------|------------|-------------------------|------|-------|-------|-----------------------|------|-------------|
|              |            |                         |      | min.  | Max.  |                       |      |             |
| IT3057 - 3C  | 8          | IT3420 - 3A             | 20.0 | 0.68  | 5.56  | 0.5000 - 28UNEF       | 33.2 | 6 - 32 NC   |
| IT3057 - 4C  | 10         | IT3420 - 4A             | 22.6 | 2.38  | 7.93  | 0.6250 - 24UNEF       | 32.3 | 6 - 32 NC   |
| IT3057 - 6C  | 12         | IT3420 - 4A / 6A        | 25.8 | 5.84  | 11.12 | 0.7500 - 20UNEF       | 32.3 | 6 - 32 NC   |
| IT3057 - 8C  | 14         | IT3420 - 6A / 8A        | 28.1 | 8.00  | 13.84 | 0.8750 - 20UNEF       | 32.3 | 6 - 32 NC   |
| IT3057 - 10C | 16         | IT3420 - 6A / 10A       | 31.0 | 9.60  | 15.87 | 1.0000 - 20UNEF       | 35.3 | 6 - 32 NC   |
| IT3057 - 12C | 18         | IT3420 - 8A / 12A       | 37.3 | 11.30 | 19.00 | 1.1875 - 18NEF        | 35.7 | 8 - 32 NC   |
| IT3057 - 12C | 20         | IT3420 - 8A / 12A       | 37.3 | 11.30 | 19.00 | 1.1875 - 18NEF        | 35.7 | 8 - 32 NC   |
| IT3057 - 16C | 22         | IT3420 - 8A / 12A / 16A | 42.0 | 15.50 | 23.80 | 1.4375 - 18NEF        | 38.5 | 8 - 32 NC   |
| IT3057 - 16C | 24         | IT3420 - 8A / 12A / 16A | 42.0 | 15.50 | 23.80 | 1.4375 - 18NEF        | 38.5 | 8 - 32 NC   |

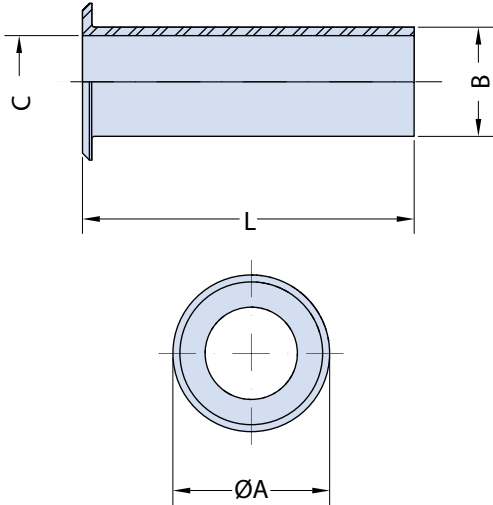
# IT 3420 and IT 3420-A Neoprene Sleeve

MIL-DTL-26482 Serie I  
Accessory

Basic Part Number  
and Shell Size

**IT**

**3420-3**



**TABLE I: CLASS A CABLE CLAMPS**

| GLENAIR CODE | ØA   | B     | C     | L    |
|--------------|------|-------|-------|------|
| GLENAIR P/N  | ±0.1 | ±0.1  | ±0.1  | ±0.1 |
| IT3420 - 3   | 9.5  | 5.33  | 3.30  | 73.0 |
| IT3420 - 4   | 12.8 | 7.67  | 5.58  | 69.8 |
| IT3420 - 6   | 15.7 | 10.84 | 7.92  | 66.8 |
| IT3420 - 8   | 18.8 | 14.02 | 11.09 | 63.5 |
| IT3420 - 10  | 22.0 | 15.62 | 14.27 | 60.3 |
| IT3420 - 12  | 27.0 | 18.79 | 15.87 | 57.1 |
| IT3420 - 16  | 33.3 | 23.54 | 19.05 | 53.9 |

**Application Notes**

IT3420 : Neoprene sleeve for protection and reduction, used with class A cable clamps.

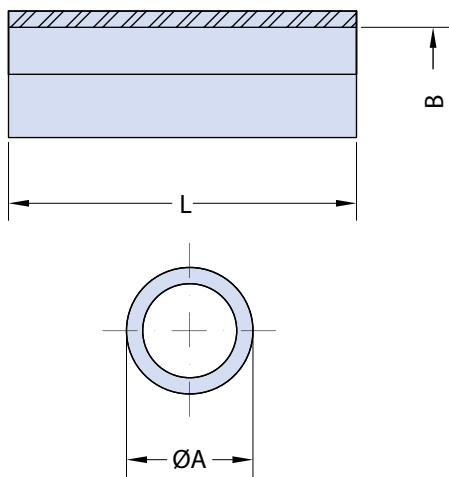
**D**

MIL-DTL-26482 Serie I  
Accessory

Basic Part Number  
and Shell Size

**IT**

**3420-3A**



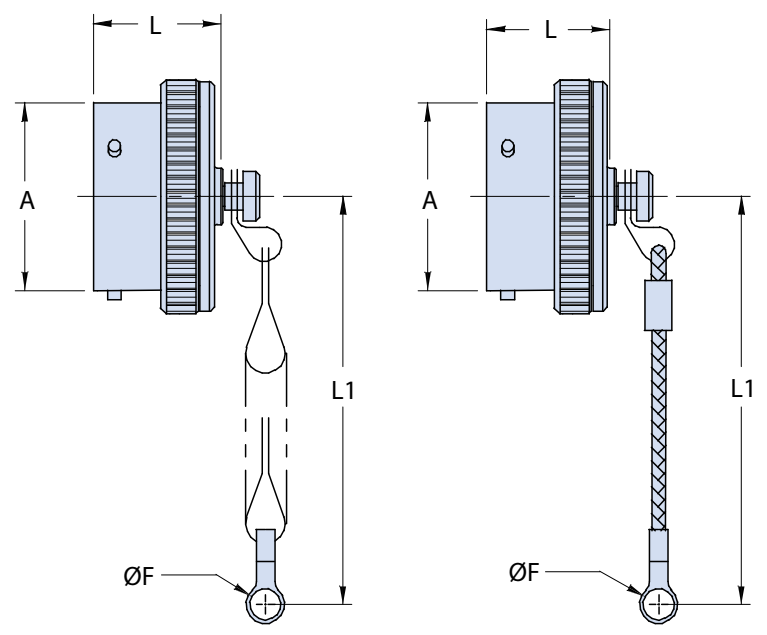
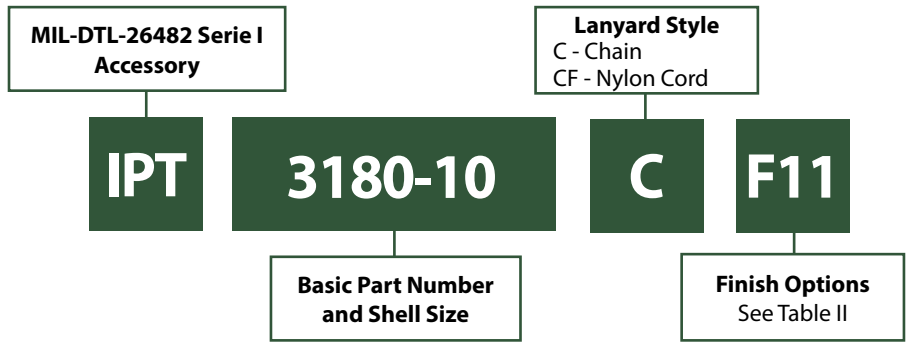
**TABLE II: CLASS C CABLE CLAMPS**

| GLENAIR CODE | ØA    | B     | L    |
|--------------|-------|-------|------|
| GLENAIR P/N  | ±0.1  | ±0.1  | ±0.1 |
| IT3420 - 3A  | 5.30  | 2.90  | 50.5 |
| IT3420 - 4A  | 7.63  | 5.56  | 50.5 |
| IT3420 - 6A  | 10:50 | 7.93  | 50.5 |
| IT3420 - 8A  | 13:50 | 11.10 | 50.5 |
| IT3420 - 10A | 15.70 | 11.10 | 50.5 |
| IT3420 - 12A | 18:50 | 13.74 | 50.9 |
| IT3420 - 16A | 23.60 | 19.00 | 50.9 |

**Application Notes**

IT3420-A : Neoprene sleeve for protection and reduction, used with class C cable clamps.

# IPT 3180-C and IPT 3180-CF Protective Plug Covers



**Example: IPT3180-18C**  
(Stainless Steel Chain)

**Example: IPT3180-18CF**  
(Nylon Cord)



| GLENAIR P/N | Shell size | A<br>+0.02<br>-0.12 | ØF<br>+0.2<br>0 | L<br>+0.6<br>-0.4 | L1<br>min. |
|-------------|------------|---------------------|-----------------|-------------------|------------|
| IPT3180-8C  | 8          | 12.01               | 4.3             | 13.5              | 76.2       |
| IPT3180-10C | 10         | 14.98               | 4.3             | 13.5              | 76.2       |
| IPT3180-12C | 12         | 19.05               | 4.3             | 13.5              | 88.9       |
| IPT3180-14C | 14         | 22.22               | 4.3             | 13.5              | 88.9       |
| IPT3180-16C | 16         | 25.40               | 4.3             | 13.5              | 88.9       |
| IPT3180-18C | 18         | 28.57               | 4.3             | 13.5              | 88.9       |
| IPT3180-20C | 20         | 31.75               | 4.3             | 15.1              | 101.6      |
| IPT3180-22C | 22         | 34.92               | 4.3             | 15.1              | 101.6      |
| IPT3180-24C | 24         | 38.10               | 4.3             | 15.9              | 101.6      |

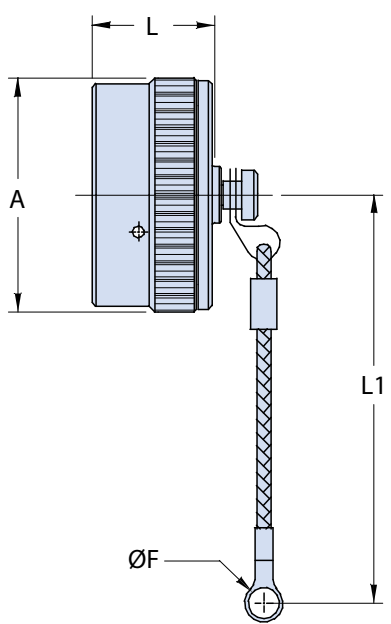
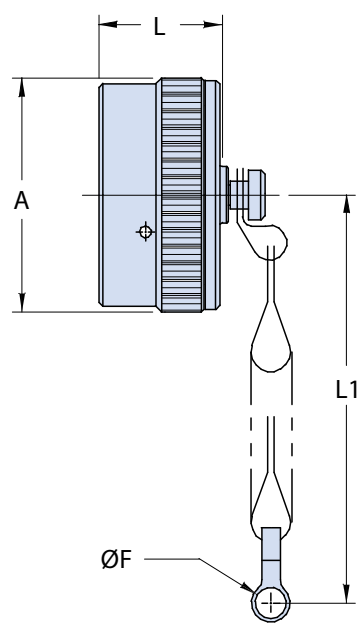
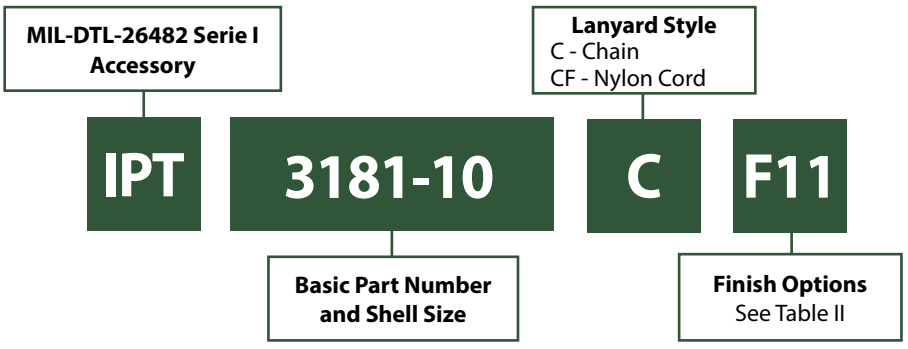
**Application Notes**  
Metal protective cover for plug connectors with stainless steel chain or nylon cord.

**TABLE II: MODIFICATION CODES**

| Shell Finish<br>(Omit for Standard Cad/Olive Drab Finish) |
|---|
| <b>F6</b> - Black Electrodeposited Paint (RoHs)           |
| <b>F7</b> - Black Zinc Nickel (RoHs)                      |
| <b>F11</b> - Electroless Nickel (RoHs)                    |
| <b>MB</b> - Marine Bronze (RoHs)                          |



# IPT 3181-C and IPT 3181-CF Protective Receptacle Covers



D

**TABLE I: DIMENSIONS**

| GLENAIR P/N | Shell size | A<br>Max. | ØF<br>+0.2<br>-0 | L<br>+0.5<br>-0 | L1<br>min. |
|-------------|------------|-----------|------------------|-----------------|------------|
| IPT3181- 8C | 8          | 17.95     | 4.3              | 14.30           | 76.2       |
| IPT3181-10C | 10         | 21.05     | 4.3              | 14.30           | 76.2       |
| IPT3181-12C | 12         | 25.40     | 4.3              | 14.30           | 88.9       |
| IPT3181-14C | 14         | 28.65     | 4.3              | 14.30           | 88.9       |
| IPT3181-16C | 16         | 31.90     | 4.3              | 14.30           | 88.9       |
| IPT3181-18C | 18         | 35.00     | 4.3              | 14.30           | 88.9       |
| IPT3181-20C | 20         | 38.00     | 4.3              | 14.30           | 101.6      |
| IPT3181-22C | 22         | 41.25     | 4.3              | 14.30           | 101.6      |
| IPT3181-24C | 24         | 44.40     | 4.3              | 15.55           | 101.6      |

**Application Notes**  
Metal protective cover for receptacle connectors with stainless steel chain or nylon cord.

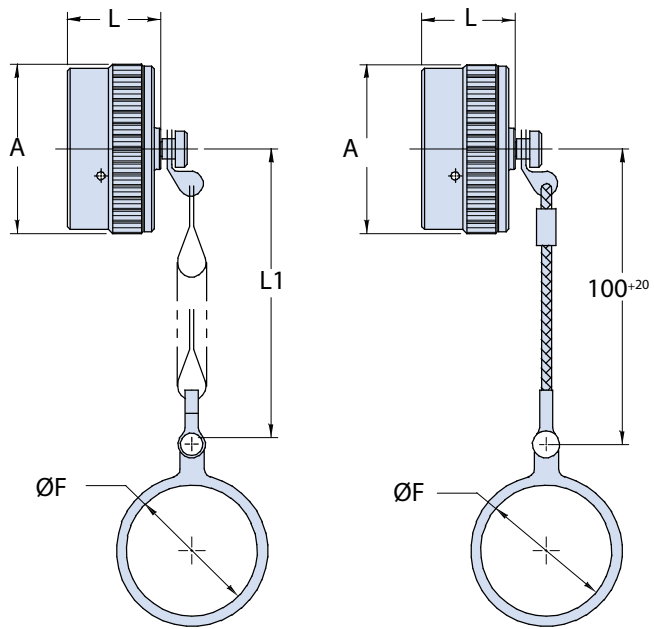
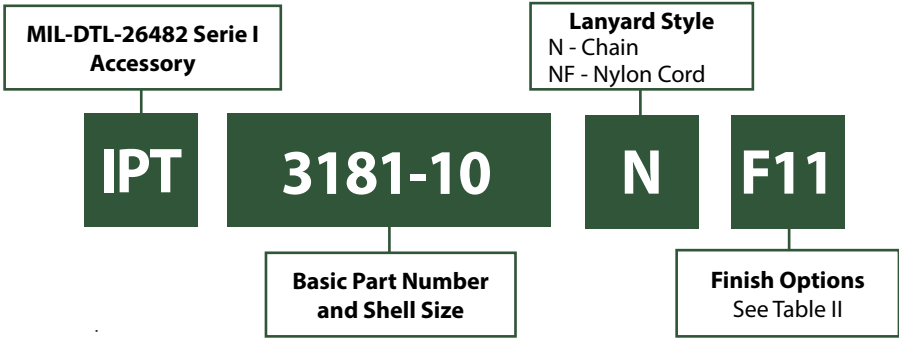
**TABLE II: MODIFICATION CODES**

| Shell Finish<br>(Omit for Standard Cad/Olive Drab Finish) |
|---|
| <b>F6</b> - Black Electrodeposited Paint (RoHs)           |
| <b>F7</b> - Black Zinc Nickel (RoHs)                      |
| <b>F11</b> - Electroless Nickel (RoHs)                    |
| <b>MB</b> - Marine Bronze (RoHs)                          |

# IPT 3181-N and IPT 3181-NF Protective Jam Nut Receptacle Covers



IPT Bayonet Lock  
Connector  
Accessories



**Example: IPT3181-18N**  
(Stainless Steel Chain)

**Example: IPT3181-18NF**  
(Nylon Cord)

**TABLE I: DIMENSIONS**

| GLENAIR P/N | Shell size | A<br>Max. | ØF<br>+0.2<br>-0.1 | L<br>+0.25<br>-0 | L1<br>±3 |
|-------------|------------|-----------|--------------------|------------------|----------|
| IPT3181- 8N | 8          | 17.95     | 14.70              | 14.30            | 76.2     |
| IPT3181-10N | 10         | 21.05     | 17.85              | 14.30            | 76.2     |
| IPT3181-12N | 12         | 25.40     | 22.65              | 14.30            | 88.9     |
| IPT3181-14N | 14         | 28.65     | 25.80              | 14.30            | 88.9     |
| IPT3181-16N | 16         | 31.90     | 29.00              | 14.30            | 88.9     |
| IPT3181-18N | 18         | 35.00     | 32.15              | 14.30            | 88.9     |
| IPT3181-20N | 20         | 38.00     | 35.35              | 14.30            | 101.6    |
| IPT3181-22N | 22         | 41.25     | 38.50              | 14.30            | 101.6    |
| IPT3181-24N | 24         | 44.40     | 41.00              | 15.55            | 101.6    |

**Application Notes**  
Metal protective cover for jam nut receptacle connectors with stainless steel chain or nylon cord.

**TABLE II: MODIFICATION CODES**

| Shell Finish<br>(Omit for Standard Cad/Olive Drab Finish) |
|---|
| <b>F6</b> - Black Electrodeposited Paint (RoHs)           |
| <b>F7</b> - Black Zinc Nickel (RoHs)                      |
| <b>F11</b> - Electroless Nickel (RoHs)                    |
| <b>MB</b> - Marine Bronze (RoHs)                          |



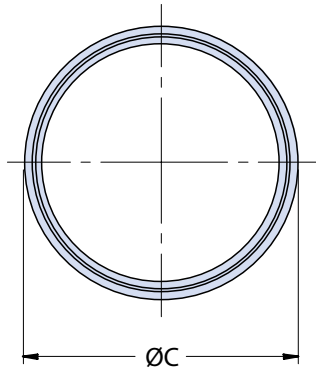
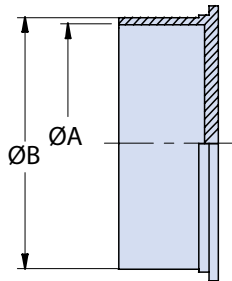
# IT 90376-R and IT 90376-Y Protective Receptacle and Plug Plastic Caps

MIL-DTL-26482 Serie I  
Accessory

Basic Part Number  
and Shell Size

**IT**

**90376-10R**



### Application Notes

Plastic caps for protection against dust and damage.

**TABLE I: RECEPTACLE CAP DIMENSIONS**

| GLENAIR P/N  | Shell size    | ØA<br>±0.25 | ØB<br>±0.25 | ØC<br>±0.78 |
|--------------|---------------|-------------|-------------|-------------|
| IT 90376- 8R | Receptacle 8  | 12.19       | 13.71       | 18.79       |
| IT 90376-10R | Receptacle 10 | 15.36       | 16.89       | 21.33       |
| IT 90376-14Y | Receptacle 12 | 18.28       | 19.68       | 24.63       |
| IT 90376-16Y | Receptacle 14 | 21.59       | 22.98       | 28.57       |
| IT 90376-18Y | Receptacle 16 | 24.71       | 26.28       | 30.98       |
| IT 90376-20Y | Receptacle 18 | 27.76       | 29.33       | 33.78       |
| IT 90376-22Y | Receptacle 20 | 31.26       | 33.04       | 37.21       |
| IT 90376-24Y | Receptacle 22 | 34.03       | 35.81       | 40.38       |
| IT 90376-24R | Receptacle 24 | 37.16       | 38.93       | 43.18       |

**TABLE II: PLUG CAP DIMENSIONS**

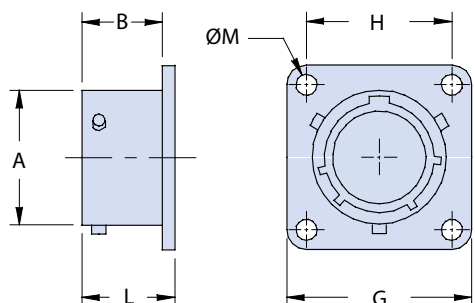
| GLENAIR P/N  | Shell size | ØA<br>±0.25 | ØB<br>±0.25 | ØC<br>±0.78 |
|--------------|------------|-------------|-------------|-------------|
| IT 90376- 8Y | Plug 8     | 10.49       | 12.26       | 17.01       |
| IT 90376- 8R | Plug 10    | 13.46       | 15.11       | 19.05       |
| IT 90376-12Y | Plug 12    | 16.63       | 18.16       | 21.84       |
| IT 90376-12R | Plug 14    | 19.93       | 21.46       | 26.18       |
| IT 90376-16Y | Plug 16    | 22.68       | 24.46       | 28.57       |
| IT 90376-16R | Plug 18    | 26.11       | 27.63       | 31.75       |
| IT 90376-18R | Plug 20    | 29.21       | 30.86       | 35.71       |
| IT 90376-20R | Plug 22    | 32.25       | 34.03       | 38.10       |
| IT 90376-22R | Plug 24    | 35.30       | 37.08       | 41.65       |



# IPT 3115 and IPT 3115A Dummy Stowage Receptacles

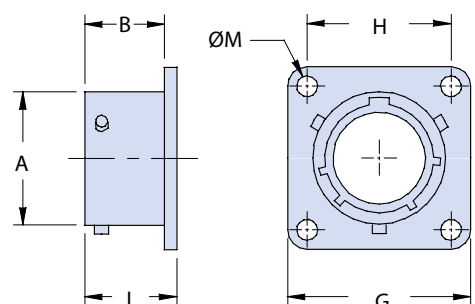


|                                    |                                     |                                |
|------------------------------------|-------------------------------------|--------------------------------|
| MIL-DTL-26482 Serie I<br>Accessory | Basic Part Number<br>and Shell Size | Finish Options<br>See Table II |
| <b>IPT</b>                         | <b>3115-10</b>                      | <b>F11</b>                     |



**Application Notes**  
IPT3115 : Dummy receptacle with rear base and seal.  
In conformity with MIL-DTL-26482 Serie I.

|                                    |                                     |                                |
|------------------------------------|-------------------------------------|--------------------------------|
| MIL-DTL-26482 Serie I<br>Accessory | Basic Part Number<br>and Shell Size | Finish Options<br>See Table II |
| <b>IPT</b>                         | <b>3115-10A</b>                     | <b>F11</b>                     |



**Application Notes**  
IPT3115A : Dummy receptacle without rear base and seal.



**TABLE I**

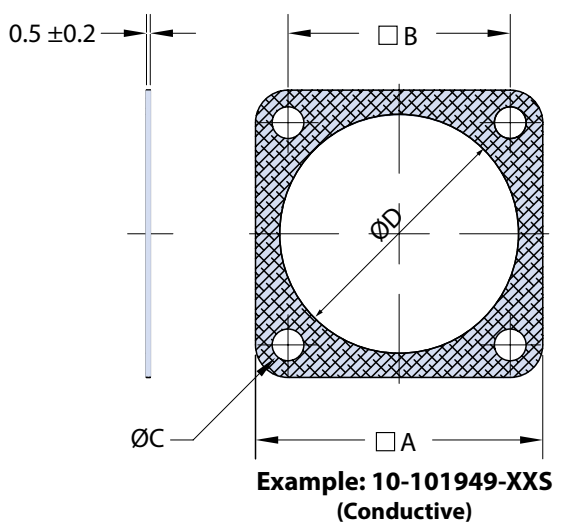
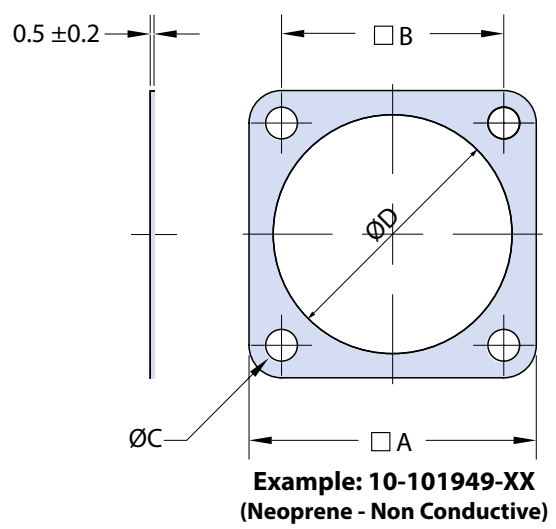
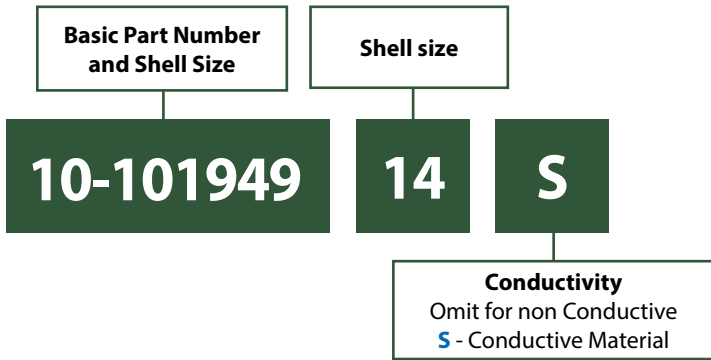
| Shell size | A<br>+0.02<br>-0.12 | B<br>+0.25<br>-0 | G<br>±0.4 | H<br>±0.1 | L<br>+0.6<br>-0.25 | ØM<br>+0.1<br>0 |
|------------|---------------------|------------------|-----------|-----------|--------------------|-----------------|
| 8          | 12.01               | 10.95            | 20.6      | 15.10     | 12.5               | 3.04            |
| 10         | 14.98               | 10.95            | 23.8      | 18.25     | 12.5               | 3.04            |
| 12         | 19.05               | 10.95            | 26.2      | 20.60     | 12.5               | 3.04            |
| 14         | 22.22               | 10.95            | 28.6      | 23.00     | 12.5               | 3.04            |
| 16         | 25.40               | 10.95            | 31.0      | 24.60     | 12.5               | 3.04            |
| 18         | 28.57               | 10.95            | 33.3      | 27.00     | 12.5               | 3.04            |
| 20         | 31.75               | 14.10            | 36.5      | 29.35     | 16.5               | 3.04            |
| 22         | 34.92               | 14.10            | 39.7      | 31.75     | 16.5               | 3.04            |
| 24         | 38.10               | 15.00            | 42.8      | 34.92     | 17.3               | 3.73            |

**TABLE II: MODIFICATION CODES**

| Shell Finish<br>(Omit for Standard Cad/Olive Drab Finish) |
|---|
| <b>F6</b> - Black Electrodeposited Paint (RoHs)           |
| <b>F7</b> - Black Zinc Nickel (RoHs)                      |
| <b>F11</b> - Electroless Nickel (RoHs)                    |
| <b>MB</b> - Marine Bronze (RoHs)                          |



# 10-101949 and 10-101949-S Square Flange Panel Mount Receptacle Sealing Gaskets



**OBSOLETE  
FOR NEW DESIGNS!  
Please contact the factory**

**TABLE I (NON CONDUCTIVE)**

| GLENAIR P/N  | Shell size | □ A Max | □ B ±0.3 | ØC min. | ØD +0.1 / 0 |
|--------------|------------|---------|----------|---------|-------------|
| 10-101949-8  | 8          | 22.7    | 15.10    | 3.1     | 12.7        |
| 10-101949-10 | 10         | 25.8    | 18.30    | 3.1     | 15.9        |
| 10-101949-12 | 12         | 28.2    | 20.60    | 3.1     | 19.0        |
| 10-101949-14 | 14         | 30.6    | 23.00    | 3.1     | 22.2        |
| 10-101949-16 | 16         | 33.0    | 24.60    | 3.1     | 25.4        |
| 10-101949-18 | 18         | 35.4    | 27.00    | 3.1     | 28.6        |
| 10-101949-20 | 20         | 38.5    | 29.40    | 3.1     | 31.7        |
| 10-101949-22 | 22         | 41.7    | 31.80    | 3.1     | 34.9        |
| 10-101949-24 | 24         | 44.9    | 34.90    | 4.2     | 38.1        |

**TABLE II (CONDUCTIVE)**

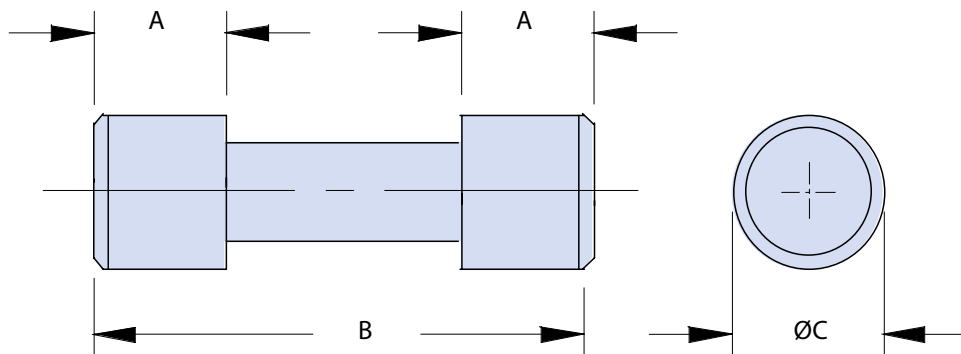
| GLENAIR P/N   | Shell size | □ A Max | □ B ±0.3 | ØC min. | ØD +0.1 / 0 |
|---------------|------------|---------|----------|---------|-------------|
| 10-101949-8S  | 8          | 20.6    | 15.10    | 3.3     | 12.7        |
| 10-101949-10S | 10         | 23.8    | 18.25    | 3.3     | 15.9        |
| 10-101949-12S | 12         | 26.2    | 20.60    | 3.3     | 19.1        |
| 10-101949-14S | 14         | 28.6    | 23.00    | 3.3     | 22.3        |
| 10-101949-16S | 16         | 31.0    | 24.60    | 3.3     | 25.5        |
| 10-101949-18S | 18         | 33.3    | 27.00    | 3.3     | 28.6        |
| 10-101949-20S | 20         | 36.5    | 29.35    | 3.3     | 31.8        |
| 10-101949-22S | 22         | 39.7    | 31.75    | 3.3     | 35.0        |
| 10-101949-24S | 24         | 42.9    | 34.90    | 4.0     | 38.2        |

Sealing Plug  
for Wire Sealing Grommet



Basic Part Number

**10-101033**



**D**

TABLE I

| GLENAIR P/N  | Contact size | A<br>±0.13 | B<br>±0.25 | ØC<br>±0.13 | Color  |
|--------------|--------------|------------|------------|-------------|--------|
| 10-101033-11 | 20           | 2.92       | 9.53       | 2.92        | Red    |
| 10-101033-12 | 16           | 3.17       | 11.91      | 3.68        | Blue   |
| 10-101033-13 | 12           | 4.60       | 3.70       | 3.20        | Yellow |



# IPT Series Tools

## IPT CRIMP TOOLS - PIN CONTACTS

| Diagram | Type of contact | Connector Size | A     | ØB   | ØC   | ØD   | Conductor Size  |         | MANUAL TOOL    | *PNEUMATIC TOOL TYPE "A" |                        | TURRET    |              | INSERTION TOOL            |   | EXTRACTION TOOL |                    |           |                    |
|---------|-----------------|----------------|-------|------|------|------|-----------------|---------|----------------|--------------------------|------------------------|-----------|--------------|---------------------------|---|-----------------|--------------------|-----------|--------------------|
|         |                 |                |       |      |      |      | mm <sup>2</sup> | AWG     |                |                          |                        |           |              |                           |   |                 |                    |           |                    |
|         |                 |                |       |      |      |      |                 |         |                |                          |                        |           |              |                           |   |                 |                    |           |                    |
|         | 10-374-20       | 20             | 8÷18  | 20,4 | 1    | 1,3  | 1,93            | 0,2÷0,5 | 20<br>22<br>24 | M. 105001                | M22520.1.01<br>AF8 DMC | M. 105003 | WA27F<br>DMC | M. 105011<br>(# M.105008) | M22520/1.02<br>DMC TH1A<br>(or VH441 DMC) | M. 117346       | GLENAIR IT<br>TOOL | M. 118251 | GLENAIR IT<br>TOOL |
|         | 10-375-20       | 20             | 20÷24 | 24,3 | 1    | 1,3  | 1,93            | 0,2÷0,5 | 20<br>22<br>24 | M. 105001                | M22520.1.01<br>AF8 DMC | M. 105003 | WA27F<br>DMC | M. 105011<br>(# M.105008) | M22520/1.02<br>DMC TH1A<br>(or VH441 DMC) | M. 117346       | GLENAIR IT<br>TOOL | M. 118251 | GLENAIR IT<br>TOOL |
|         | 10-374-16       | 16             | 8÷18  | 22,3 | 1,57 | 1,72 | 2,6             | 0,5÷1   | 16<br>18<br>20 | M. 105001                | M22520.1.01<br>AF8 DMC | M. 105003 | WA27F<br>DMC | M. 105011<br>(# M.105008) | M22520/1.02<br>DMC TH1A<br>(or VH441 DMC) | M. 117083       | GLENAIR IT<br>TOOL | M. 118251 | GLENAIR IT<br>TOOL |
|         | 10-375-16       | 16             | 20÷24 | 24,3 | 1,57 | 1,72 | 2,6             | 0,2÷0,5 | 16<br>18<br>20 | M. 105001                | M22520.1.01<br>AF8 DMC | M. 105003 | WA27F<br>DMC | M. 105011<br>(# M.105008) | M22520/1.02<br>DMC TH1A<br>(or VH441 DMC) | M. 117083       | GLENAIR IT<br>TOOL | M. 118251 | GLENAIR IT<br>TOOL |
|         | 10-373-12S      | 12             | 8÷18  | 22,5 | 2,38 | 2,5  | 3,8             | 2,5÷3   | 14<br>12       | M. 105001                | M22520.1.01<br>AF8 DMC | M. 105003 | WA27F<br>DMC | M. 105012                 | M22520/1.05                               | M. 117082       | GLENAIR IT<br>TOOL | M. 118250 | GLENAIR IT<br>TOOL |

## IPT CRIMP TOOLS - SOCKET CONTACTS

| Diagram | Type of contact | Connector Size | A     | ØB   | ØC   | ØD   | Conductor Size  |         | MANUAL TOOL    | *PNEUMATIC TOOL TYPE "A" |                        | TURRET    |              | INSERTION TOOL            |   | EXTRACTION TOOL |                    | GUIDE PIN |                    |           |                       |
|---------|-----------------|----------------|-------|------|------|------|-----------------|---------|----------------|--------------------------|------------------------|-----------|--------------|---------------------------|---|-----------------|--------------------|-----------|--------------------|-----------|-----------------------|
|         |                 |                |       |      |      |      | mm <sup>2</sup> | AWG     |                |                          |                        |           |              |                           |   |                 |                    |           |                    |           |                       |
|         |                 |                |       |      |      |      |                 |         |                |                          |                        |           |              |                           |   |                 |                    |           |                    |           |                       |
|         | 10-571-20       | 20             | 8÷18  | 20,4 | 1,08 | 1,3  | 1,93            | 0,2-0,5 | 20<br>22<br>24 | M. 105001                | M22520.1.0<br>1AF8 DMC | M. 105003 | WA27F<br>DMC | M. 105011<br>(# M.105008) | M22520/1.02<br>DMC TH1A<br>(or VH441 DMC) | M. 117346       | GLENAIR IT<br>TOOL | M. 118251 | GLENAIR IT<br>TOOL | M. 125007 | GLENAIR<br>IT<br>TOOL |
|         | 10-573-20       | 20             | 20÷24 | 24,3 | 1,08 | 1,3  | 1,93            | 0,2-0,5 | 20<br>22<br>24 | M. 105001                | M22520.1.0<br>1AF8 DMC | M. 105003 | WA27F<br>DMC | M. 105011<br>(# M.105008) | M22520/1.02<br>DMC TH1A<br>(or VH441 DMC) | M. 117346       | GLENAIR IT<br>TOOL | M. 118251 | GLENAIR IT<br>TOOL | M. 125007 | GLENAIR<br>IT<br>TOOL |
|         | 10-571-16       | 16             | 8÷18  | 22,3 | 1,07 | 1,72 | 2,6             | 0,5 ÷ 1 | 16<br>18<br>20 | M. 105001                | M22520.1.0<br>1AF8 DMC | M. 105003 | WA27F<br>DMC | M. 105001<br>(# M.105008) | M22520/1.02<br>DMC TH1A<br>(or VH441 DMC) | M. 117083       | GLENAIR IT<br>TOOL | M. 118251 | GLENAIR IT<br>TOOL | M. 125001 | GLENAIR<br>IT<br>TOOL |
|         | 10-573-16       | 20             | 20÷24 | 24,3 | 1,07 | 1,72 | 2,6             | 0,5-1   | 16<br>18<br>20 | M. 105001                | M22520.1.0<br>1AF8 DMC | M. 105003 | WA27F<br>DMC | M. 105011<br>(# M.105008) | M22520/1.02<br>DMC TH1A<br>(or VH441 DMC) | M. 117083       | GLENAIR IT<br>TOOL | M. 118251 | GLENAIR IT<br>TOOL | M. 125001 | GLENAIR<br>IT<br>TOOL |
|         | 10-576-12S      | 12             | 8÷18  | 22,7 | 2,48 | 2,5  | 3,8             | 2,5÷3   | 14<br>12       | M. 105001                | M22520.1.01<br>AF8 DMC | M. 105003 | WA27F<br>DMC | M. 105012                 | M22520/1.05                               | M. 117082       | GLENAIR IT<br>TOOL | M. 118250 | GLENAIR IT<br>TOOL | M. 125002 | GLENAIR<br>IT<br>TOOL |

\* Use together as alternative.

## IPT-SE CRIMP TOOLS - PIN AND SOCKET CONTACTS

|  | Type of contact | Conductor Size  |                |  |                        |  |           |  |   |  |                    |  |                    |
|---|-----------------|-----------------|----------------|---|------------------------|---|-----------|--|---|---|--------------------|---|--------------------|
|   |                 | mm <sup>2</sup> | AWG            |   |                        |   |           |  |   |   |                    |   |                    |
| <b>10-314980-20P</b>  | 20              | 0,2-0,5         | 20<br>22<br>24 | M. 105001   | M22520.1.01<br>AF8 DMC | M. 105003   | WA27F DMC | M. 105011<br>(# M.105008)  | M22520/1.02<br>DMC TH1A<br>(or VH441 DMC) | M. 117349   | GLENAIR IT<br>TOOL | M. 118290   | GLENAIR IT<br>TOOL |
| <b>10-314980-20S</b>  | 20              | 0,2-0,5         | 20<br>22<br>24 | M. 105001   | M22520.1.01<br>AF8 DMC | M. 105003   | WA27F DMC | M. 105011<br>(# M.105008)  | M22520/1.02<br>DMC TH1A<br>(or VH441 DMC) | M. 117349   | GLENAIR IT<br>TOOL | M. 118290   | GLENAIR IT<br>TOOL |
| <b>10-314980-16S</b>  | 16              | 0,5 ±1          | 16<br>18<br>20 | M. 105001   | M22520.1.01<br>AF8 DMC | M. 105003   | WA27F DMC | M. 105011<br>(# M.105008)  | M22520/1.02<br>DMC TH1A<br>(or VH441 DMC) | M. 117350   | GLENAIR IT<br>TOOL | M. 118291   | GLENAIR IT<br>TOOL |
| <b>10-314980-16P</b>  | 16              | 0,5 ±1          | 16<br>18<br>20 | M. 105001   | M22520.1.01<br>AF8 DMC | M. 105003   | WA27F DMC | M. 105011<br>(# M.105008)  | M22520/1.02<br>DMC TH1A<br>(or VH441 DMC) | M. 117350   | GLENAIR IT<br>TOOL | M. 118291   | GLENAIR IT<br>TOOL |

\* Use together as alternative.





## The Faster 4/8 Pole Interconnect System for Ethernet Data Applications

ITH connector with Octobyte™ contacts is available with fully dedicated ETHERNET protocol or in a combo version where a mix of signal-power and Ethernet is required. RoHS compliant, IP67 (IP68 on request) exceeds performance expectations typical in harsh environmental applications found throughout Rail and Industrial markets.

OCTOBYTE™ contacts are vibration resistant and available to work with ETHERNET cables from CAT 5 to CAT 7A, MVB-WTB, RG58 Coax.



Adam E. Moreira

Commuter Applications

ITH connectors with OCTOBYTE™ contacts are easy and fast to assemble, making them best solution for harsh environment applications where signal reliability is a must:

- **Commuter Rail**
- **Passenger Information Systems** (Audio/Video/Digital displays)
- **Monitoring and Control** (Braking/Doors/Lighting/Data)
- **Heavy Industry**
- **Data Control**
- **Safety Systems**

Tested according to:  
**ISO F0 STP:** CAT 7A  
**EN50173-1 F600-STP:** CAT 7  
**EN50173-1 D STP:** CAT 5E

Tested for compliance according to EN50173-1 standards set for CAT5E and CAT7. Testing was conducted using 12 jumpers, each 7.5 mt. in length for a total of 90 mt.



Masa Kazu Matsumoto

Passenger Information Systems



Glenair Italia S.p.A.  
Via del Lavoro, 7.  
40057 - Quarto Inferiore  
Granarolo dell'Emilia  
Bologna - Italy  
Tel. +39 051 782811  
Fax +39 051 782259  
info@glenair.it  
www.glenair.it

# IPT SE and IPT Series

## Product index Section E



Additional Interconnect Solutions  
from the Glenair Power Products Group

E-2 ; E-3

INDEX

E-5

E



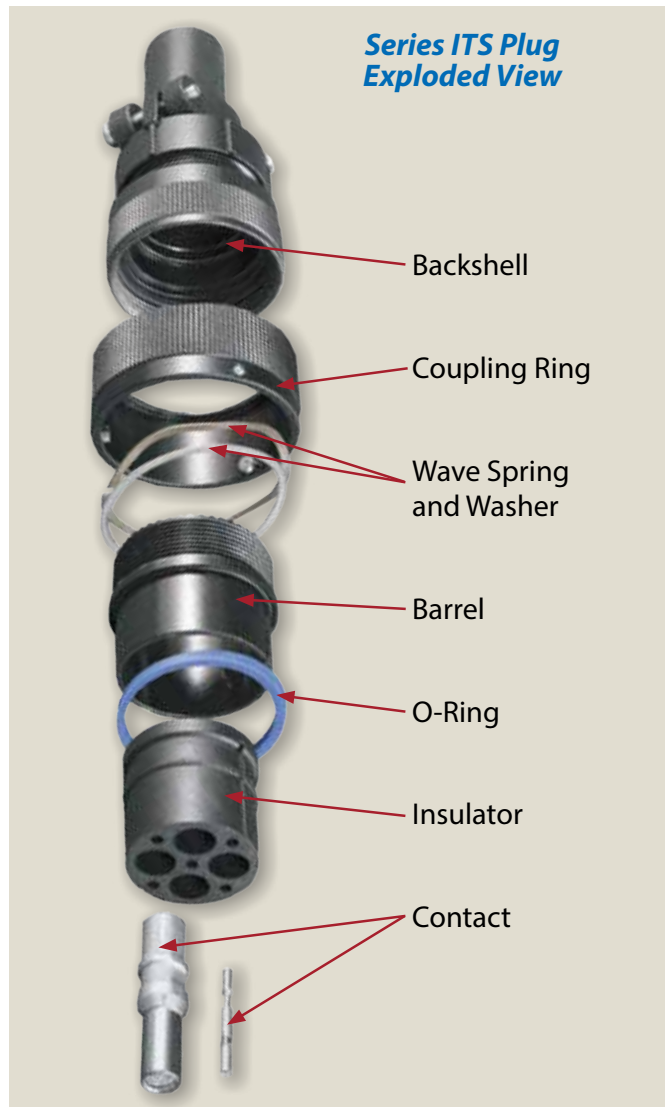
## Additional Interconnect Solutions from the Glenair Power Products Group



Industry standard reverse-bayonet power and signal connectors (Glenair Series ITS)

- Dozens of proven connector technologies for harsh application environments
- Hundreds of power and signal contact arrangements (crimp and solder)
- Threaded, reverse bayonet, and innovative latch-and-lock coupling technologies
- Flame-resistant, caustic substance-free material choices for RoHS and other compliance standards

## Industrial power and signal connectors for rugged applications—from mining equipment to monorails



### Wide range of available catalog solutions

- Series ITS - Reverse-Bayonet Power and Signal*
- Series IT - Threaded Coupling Power and Signal*
- Series ITH - High Performance Rigid Insert Power*
- Series IPT - Standard Bayonet Power and Signal*
- Series IPT-SE - Standard Bayonet Crimp Contact*
- VG95234 - German Rail Qualified Reverse Bayonet**
- VG95328 - German Rail Qualified Standard Bayonet**
- VG96929 - German Rail Qualified High Voltage**
- Series ITZ - Triple-Start Thread Power and Signal*
- Series IRT - High Current High Voltage Rectangular*
- Series 901 - High Current Medium Voltage Circular*
- Series 500 - Reverse-Bayonet Single-Pole High Voltage*
- Series UJ - High Voltage Power Joint Connection System*



Glenair high-power tractor connector with TurboFlex™ cable, locking/lever coupling, and flexible standoff



**Additional Interconnect Solutions  
from the Glenair Power Products Group**



IPT  
Bayonet Lock  
Connectors

**Glenair Industrial/Rail Power and Signal Circular Connectors**



**ITS-RG  
Rubber-Coated**



**ITH  
Rigid Insert**



**IPT and IPT SE  
Standard Bayonet**



**Series ITS  
Reverse-Bayonet**



**VG96929  
Single-Pole High Current**



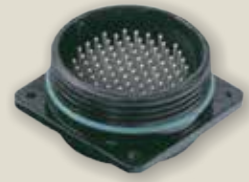
**VG95328 Qualified  
Bayonet-Lock Connectors**



**Series CX  
Coaxial Connector**



**Series IT  
Threaded Coupling**



**ITZ  
Triple-Start Coupling**

**High-Current High-Voltage Power Connectors for Rail Applications**



**IRT Series Rectangular  
Multipole High Voltage  
Connectors**



**ITS 901 Series Reverse Bayonet  
Multi-Pole  
Medium Voltage Connectors**



**ITS 500 Series Reverse Bayonet  
Single-Pole  
High Voltage Connectors**



**UJ Series Connector System**

**E**



**Innovative tool-free locking and latching mechanisms**

ETHERNET, VIDEO,  
AND HIGH-SPEED  
DATA NETWORKING

# OPTO-ELECTRONIC INTERCONNECT SOLUTIONS



*For size and weight savings in avionics, naval, ground tactical equipment, oil and gas, industrial, mining, in-flight entertainment, and other harsh application environments*



The need for reduced weight and small form-factor components, particularly in airframe and other high-performance environments, has led Glenair to develop a revolutionary new opto-electronic product series that incorporates transmitter and receiver functions, fiber-to-copper media conversion, and signal aggregation directly into interconnect wiring systems. These harsh-environment interconnect technologies reduce size and weight, and improve the performance of Ethernet, Video and High-Speed Digital applications—by leveraging the strengths of both electrical and optical media. Glenair offers both standard catalog solutions, as well as the integration of electronics or opto-electronics into rugged custom packages and cable assemblies per customer and application requirements.



Glenair, Inc.  
1211 Air Way  
Glendale, CA  
91201-2497  
818-247-6000  
sales@glenair.com  
www.glenair.com

## Series IPT SE

|   |      |
|---|------|
| Summary of Connector Styles and Backshell   | A-1  |
| IPT SE Series   | B-1  |
| High Performance Crimp Contact - Bayonet-Lock Signal Connectors (MIL-C-26482 Type)                              | B-2  |
| High Performance Crimp Contact (MIL-C-26482 Type) - Styles and Classes  | B-3  |
| High Performance Crimp Contact (MIL-C-26482 Type) - Technical Data  | B-5  |
| How To Order - Part Number Breakdown  | B-6  |
| VG95328 Part Number Cross Reference   | B-7  |
| Materials and Finishes  | B-8  |
| Contact Dimensions - Pin and Socket   | B-9  |
| Insert Arrangement Tables and Sealing Plugs   | B-10 |
| Available Insert Arrangements   | B-11 |
| Fastener Height Requirements and Panel Cutout Dimensions  | B-13 |
| IPT 00 ASE Front Panel Mount Square Flange Receptacle with Backshell  | B-14 |
| IPT 00 SE Front Panel Mount Square Flange Receptacle with General Duty Backshell                                | B-16 |
| IPT 00 ASE...N0 Front Panel Mount Square Flange Receptacle without Backshell                                    | B-18 |
| IPT 00 SE...SR Front Panel Mount Square Flange Receptacle with Backshell, Cable Clamp and Bushing.              | B-20 |
| IPT 00 GSE Front Panel Mount Square Flange Receptacle with Shrink Boot Backshell                                | B-22 |
| IPT 00 MSE Front Panel Mount Square Flange Receptacle with Backshell for EMI Shield Termination and Shrink Boot | B-24 |
| IPT 01 ASE In-Line Cable Connector with Backshell   | B-26 |
| IPT 01 SE In-Line Cable Connector with General Duty Backshell   | B-28 |
| IPT 01 ASE...N0 In-Line Cable Connector   | B-30 |
| IPT 01 SE...SR In-Line Cable Connector with Backshell, Cable Clamp and Bushing                                  | B-32 |
| IPT 01 GSE In-Line Cable Connector with Shrink Boot Backshell   | B-34 |
| IPT 01 MSE In-Line Cable Connector with Backshell for EMI Shield Termination and Shrink Boot                    | B-36 |
| IPT 02 SE Box Mount Square Flange Receptacle  | B-38 |
| IPT 02 PP Through Bulkhead Receptacle   | B-40 |
| IPT 06 ASE Straight Plug Connector with Backshell to Accomodate MS3057 Cable Clamp (not included)               | B-42 |



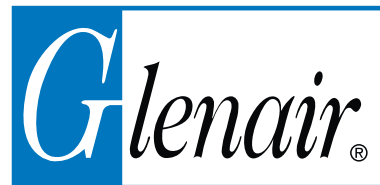
## Glenair IPT SE and IPT Series Product Index

|   |      |
|---|------|
| IPT 06 SE Straight Plug Connector with General Duty Backshell   | B-44 |
| IPT 06 ASE...N0 Straight Plug Connector without Backshell   | B-46 |
| IPT 06 SE...SR Straight Plug Connector with Backshell, Cable Clamp and Bushing  | B-48 |
| IPT 06 GSE Straight Plug Connector with Shrink Boot Backshell   | B-50 |
| IPT 06 MSE Straight Plug Connector<br>with Backshell for EMI Shield Termination and Heat Shrink Boot                  | B-52 |
| IPT 07 SE Rear Panel Mount Jam Nut Receptacle Connector with General Duty Backshell                                   | B-54 |
| IPT 07 SE...SR Rear Panel Mount Jam Nut Receptacle Connector and Backshell<br>with Cable Clamp and Bushing            | B-56 |
| IPT 07 GSE Rear Panel Mount Jam Nut Receptacle Connector<br>with Shrink Boot Backshell                                | B-58 |
| IPT 07 MSE Rear Panel Mount Jam Nut Receptacle Connector with Backshell<br>for EMI Shield Termination and Shrink Boot | B-60 |
| IPT 08 MSE 90° Plug Connector with Backshell<br>for EMI Shield Termination and Shrink Boot                            | B-62 |

### Series IPT

|   |      |
|---|------|
| IPT Series  | C-1  |
| Bayonet-Lock Signal Connectors (MIL-C-26482 Type) - Product Line Overview | C-2  |
| High Performance Crimp Contact (MIL-C-26482 Type) - Styles and Classes    | C-4  |
| How To Order - Part Number Breakdown                                      | C-7  |
| Cross Section   | C-8  |
| Technical Data  | C-9  |
| Materials and Finishes  | C-10 |
| Contact Dimensions - Pin and Socket                                       | C-11 |
| Insert Arrangement Tables and Alternate Insert Positions                  | C-12 |
| Alternate Key Positions   | C-13 |
| Fastener Height Requirements and Panel Cutout Dimensions                  | C-14 |
| Available Insert Arrangements   | C-15 |
| IPT 00 A Wall Mounting Receptacle with Backshell                          | C-18 |
| IPT 00 A...N0 Wall Mounting Receptacle without Backshell                  | C-20 |
| IPT 00 A...PG Wall Mounting Receptacle with PG Threaded Backshell         | C-22 |
| IPT 00 A...PH Wall Mounting Receptacle with Backshell and PG Cable Gland  | C-24 |

## Glenair IPT SE and IPT Series Product Index



|  |      |
|--|------|
| IPT 00 A...PHM Wall Mounting Receptacle<br>with PHM Backshell and Sleeves to Accomodate Various Cable Size | C-26 |
| IPT 00 A...SR Wall Mounting Receptacle with Backshell, Bushing and Cable Clamp                             | C-28 |
| IPT 00 E Wall Mounting Receptacle with General Duty Backshell  | C-30 |
| IPT 00 E...SR Wall Mounting Receptacle with Backshell, Bushing and Cable Clamp                             | C-32 |
| IPT 00 G Wall Mounting Receptacle with Shrink Boot Backshell   | C-34 |
| IPT 00 J Wall Mounting Receptacle with Long Backshell and Cable Clamp                                      | C-36 |
| IPT 00 M Wall Mounting Receptacle<br>with Backshell for EMI Shield Termination and Shrink Boot             | C-38 |
| IPT 00 W Wall Mounting Receptacle<br>with Long Backshell, Metal Sleeve and Gland Seal                      | C-40 |
| IPT 01 A In-Line Cable Connector with General Duty Backshell   | C-42 |
| IPT 01 A...N0 In-Line Cable Connector without Backshell  | C-44 |
| IPT 01 A...PG In-Line Cable Connector with PG Threaded Backshell   | C-46 |
| IPT 01 A...PH In-Line Cable Connector with Backshell and Plastic PG Cable Gland                            | C-48 |
| IPT 01 A...PHM In-Line Cable Connector with PHM Backshell<br>and Sleeves to Accomodate Various Cable Sizes | C-50 |
| IPT 01 A...SR In-Line Cable Connector with Backshell, Cable Clamp and Bushing                              | C-52 |
| IPT 01 E In-Line Cable Connector with General Duty Backshell   | C-54 |
| IPT 01 E...SR In-Line Cable Connector with Backshell, Cable Clamp and Bushing                              | C-56 |
| IPT 01 G In-Line Cable Connector with Shrink Boot Backshell  | C-58 |
| IPT 01 J In-Line Cable Connector with Backshell, Cable Clamp and Sleeve                                    | C-60 |
| IPT 01 M In-Line Cable Connector with Backshell<br>for EMI Shield Termination and Shrink Boot              | C-62 |
| IPT 01 W In-Line Cable Connector with Long Backshell, Metal Sleeve and Gland Seal                          | C-64 |
| IPT 02 PP Through Bulkhead Receptacle  | C-66 |
| IPT 02 A and IPT 02 E Box Mounting Receptacle  | C-68 |
| IPT 02 Y Box Mounting Receptacle with Printed Circuit Board Terminations                                   | C-70 |
| IPT 06 A Straight Plug Connector with Backshell<br>to Accomodate MS3057 Cable Clamp (not included)         | C-72 |
| IPT 06 A...N0 Straight Plug Connector with Accessory Threads   | C-74 |
| IPT 06 A...AT Straight Plug Connector<br>with Accessory Threads and Arctic Coupling Nut                    | C-76 |



## Glenair IPT SE and IPT Series Product Index

|  |       |
|--|-------|
| IPT 06 A...PG Straight Plug Connector with PG Threaded Backshell   | C-78  |
| IPT 06 A...PH Straight Plug Connector with Backshell and PG Cable Gland                                  | C-80  |
| IPT 06 A...PHM Straight Plug Connector with PHM Backshell and Sleeves to Accommodate Various Cable Sizes | C-82  |
| IPT 06 A...PHM_ _EMI67 Straight Plug Connector with Backshell for EMI Shield Termination                 | C-84  |
| IPT 06 A...SR Straight Plug Connector with Backshell, Cable Clamp and Bushing                            | C-86  |
| IPT 06 E Straight Plug Connector with General Duty Backshell   | C-88  |
| IPT 06 E...PG Straight Plug Connector with PG Threaded Backshell   | C-90  |
| IPT 06 E...SR Straight Plug Connector with Backshell, Cable Clamp and Bushing                            | C-92  |
| IPT 06 G Straight Plug Connector with Backshell for Heat Shrink Boot                                     | C-94  |
| PT 06 J Straight Plug Connector with Long Backshell, Metal Sleeve, Cable Sealing Gland and Cable Clamp   | C-96  |
| IPT 06 W Straight Plug Connector with Long Backshell and Cable Sealing Gland                             | C-98  |
| IPT 06 M Straight Plug Connector with Backshell Suitable for EMI Shield Termination and Heat Shrink Boot | C-100 |
| IPT 07 A Rear Box Mount Jam Nut Receptacle Connector   | C-102 |
| IPT 07 E Rear Panel Mount Jam Nut Receptacle Connector with Backshell                                    | C-104 |
| IPT 07 E...SR Rear Panel Mount Jam Nut Receptacle Connector and Backshell with Cable Clamp and Bushing   | C-106 |
| IPT 07 Y Rear Box Mount Jam Nut Receptacle with Printed Circuit Board Contacts                           | C-108 |
| IPT 071 YK Rear Box Mount Jam Nut Receptacle with Standoff and Printed Circuit Board Contacts            | C-110 |
| IPT 08 AM Plug Connector with 90° Backshell Suitable for MS3057 Cable Clamp                              | C-112 |
| IPT 08 A...PHM Plug Connector with 90° PHM Backshell and Sleeves to Accommodate Various Cable Sizes      | C-114 |
| IPT 08 EM Plug Connector with 90° Backshell for MS3057-A Cable Clamp                                     | C-116 |
| IPT 08 M Plug Connector with 90° Backshell for Shield Termination and Shrink Boot                        | C-118 |
| IPT 26 A Panel Plug Connector  | C-120 |

E

## Series IPT SE and IPT Connector Accessories and Tools

|  |      |
|--|------|
| IPT Bayonet Lock Tools and Accessories Overview                                | D-1  |
| IT 3057-A Cable Clamp  | D-2  |
| IT 3057-C Cable Clamp  | D-3  |
| IT 3420 and IT 3420-A Neoprene Sleeve  | D-4  |
| IPT 3180-C and IPT 3180-CF Protective Plug Covers                              | D-5  |
| IPT 3181-C and IPT 3181-CF Protective Receptacle Covers                        | D-6  |
| IPT 3181-N and IPT 3181-NF Protective Jam Nut Receptacle Covers                | D-7  |
| IT 90376-R and IT 90376-Y Protective Receptacle and Plug Plastic Caps          | D-8  |
| IPT 3115 and IPT 3115A Dummy Stowage Receptacles                               | D-9  |
| 10-101949 and 10-101949-S Square Flange Panel Mount Receptacle Sealing Gaskets | D-10 |
| Sealing Plug for Wire Sealing Grommet  | D-11 |
| IPT Series Tools   | D-12 |

**G**lenair®

# INNOVATION

Performance • Durability • Ease of Use



**Band-Master™ ATS**

**Well-Master™ 260°**



**SAV-CON®**  
CONNECTOR SAVERS

**ARMORLITE™**



This special industrial-strength capability guide provides a comprehensive overview of Glenair's "no gap" family of interconnect solutions for rugged industrial, rail, geophysical and power industry applications. No other interconnect manufacturer in the world offers such a broad range of connectors, backshells, wire protection conduit, shrink boots, tools and more for harsh-environment industrial applications. All our solutions are backed with our high availability customer service model, which includes in-stock inventory for thousands of critical part numbers, no dollar or quantity minimum orders, free samples upon request, free engineering and application development and more. Contact the factory or our industrial/rail product team for application engineering assistance.



# Why CHOOSE Glenair?



Plenty of Raw Materials!



Outstanding  
Customer Service!



Abundant Machining Capacity!



In-House Assembly!



Huge "Same-Day" Inventory!

**G**lenair®



*Out of This World*

# INTERCONNECT SOLUTIONS

## Glenair, Inc.

1211 Air Way • Glendale, California • 91201-2497

Telephone: 818-247-6000 • Fax: 818-500-9912 • sales@glenair.com

[www.glenair.com](http://www.glenair.com)

---

**Glenair Power  
Products Group** Telephone: 203-741-1115  
860 N. Main Street Extension Facsimile:  
Wallingford, CT 203-741-0053  
06492 sales@glenair.com

---

**Glenair UK Ltd** Telephone: +44-1623-638100  
40 Lower Oakham Way Facsimile:  
Oakham Business Park +44-1623-638111  
P.O. Box 37, Mansfield sales@glenair.co.uk  
Notts, NG18 5BY England

---

**Glenair Microway Systems** Telephone: 847-679-8833  
7000 North Lawndale Avenue Facsimile:  
Lincolnwood, IL 847-679-8849  
60712

---

**Glenair Nordic AB** Telephone: +46-8-50550000  
Gustav III : S Boulevard 46 sales@glenair.se  
SE-169 27 Solna  
Sweden

---

**Glenair Electric GmbH** Telephone: 06172 / 68 16 0  
Schaberweg 28 Facsimile:  
61348 Bad Homburg 06172 / 68 16 90  
Germany germany@glenair.com

---

**Glenair Iberica** Telephone: +34-925-89-29-88  
C/ La Vega, 16 Facsimile:  
45612 Velada +34-925-89-29-87  
Spain sales@glenair.es

---

**Glenair Italia S.p.A.** Telephone: +39-051-782811  
Via Del Lavoro, 7 Facsimile:  
40057 Quarto Inferiore – +39-051-782259  
Granarolo dell'Emilia info@glenair.it  
Bologna, Italy

---

**Glenair France SARL** Telephone: +33-5-34-40-97-40  
7, Avenue Parmentier Facsimile:  
Immeuble Central Parc #2 +33-5-61-47-86-10  
31200 Toulouse sales@glenair.fr  
France

---

**Glenair Korea** Telephone: +82-31-8068-1090  
B-1304 Gunpo IT Valley Facsimile:  
148 Gosan-Ro, Gunpo-Si +82-31-8068-1092  
Kyunggi-Do, Korea sales@glenair.kr  
435-733

